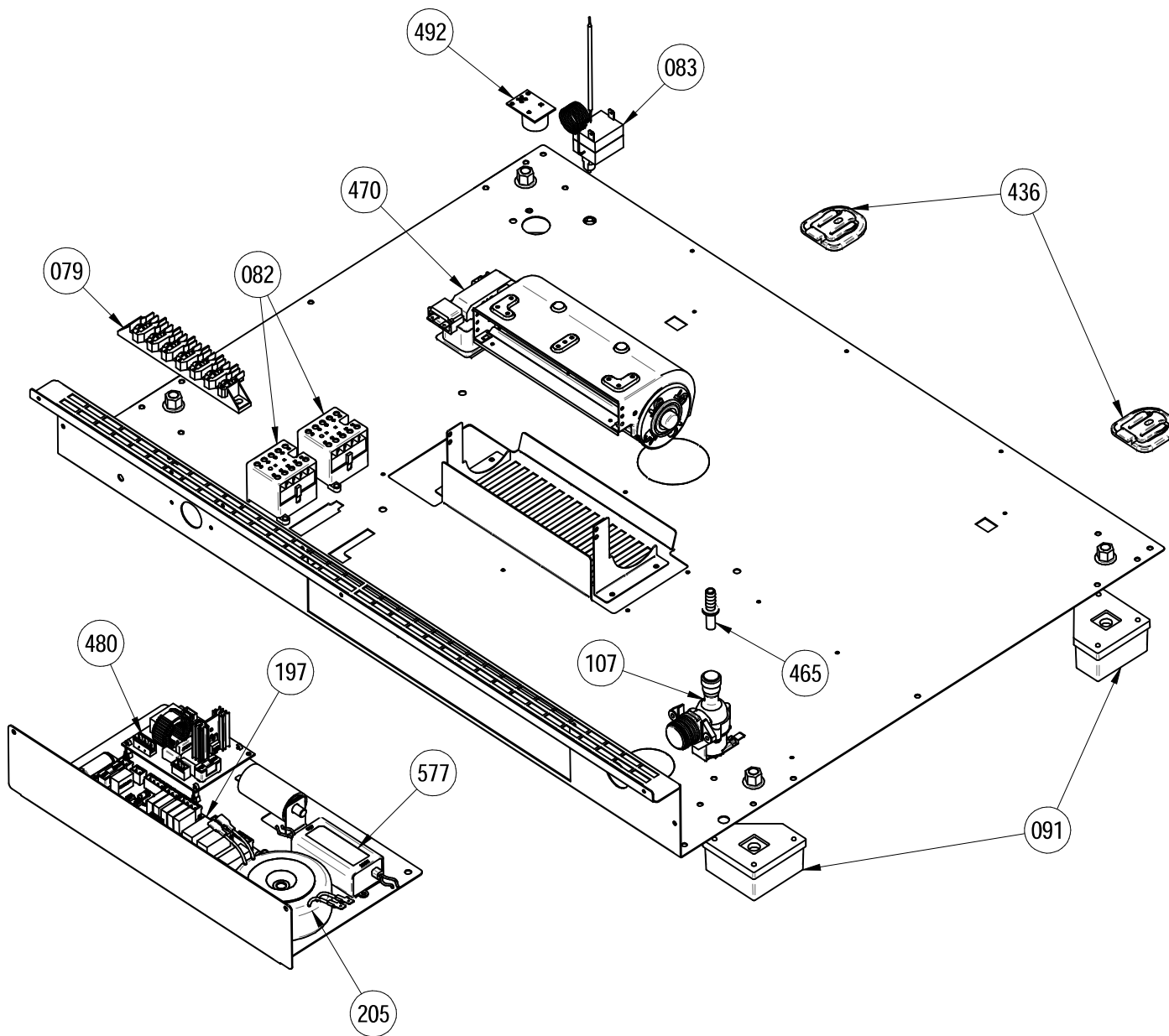
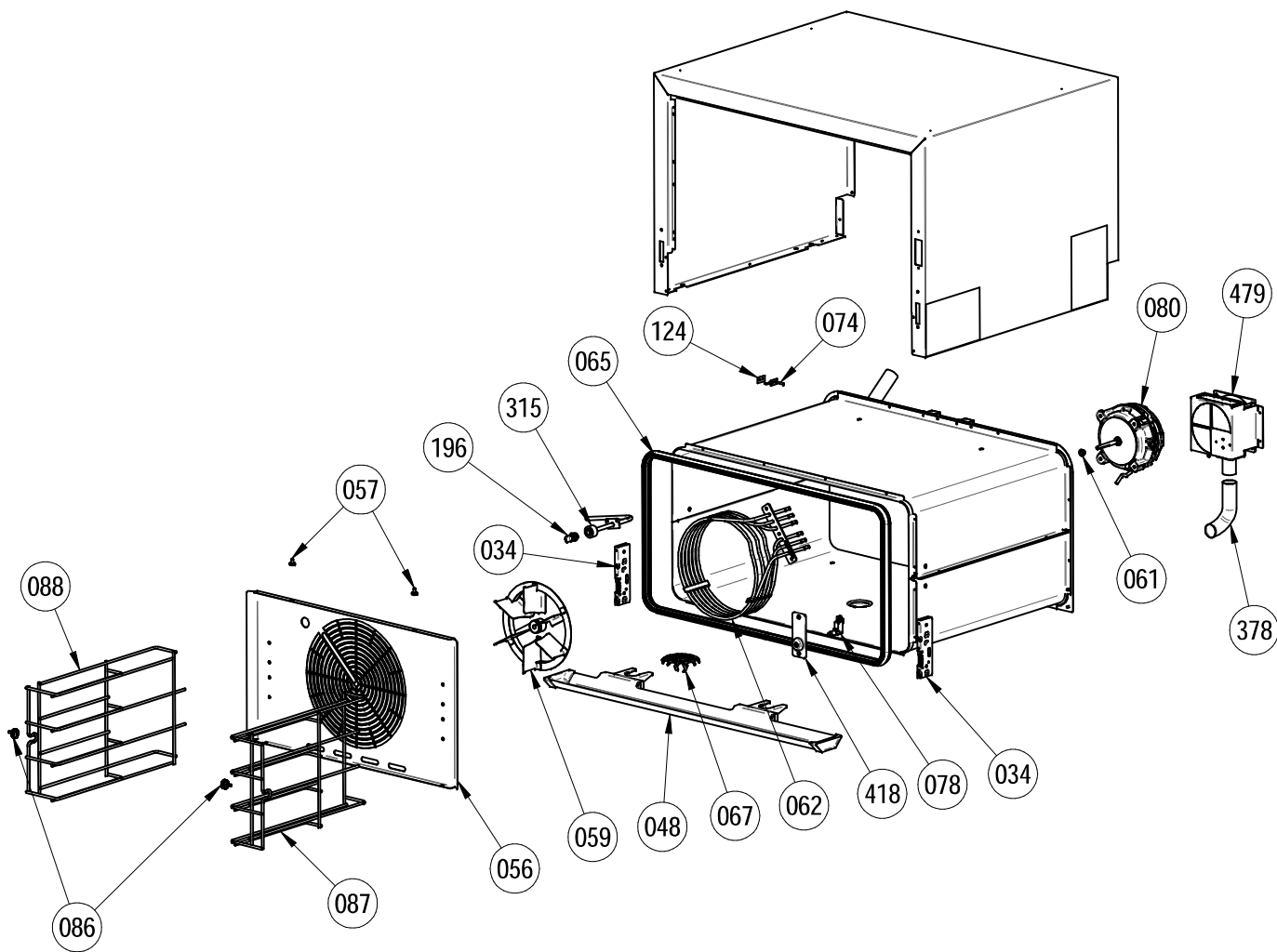


Apach

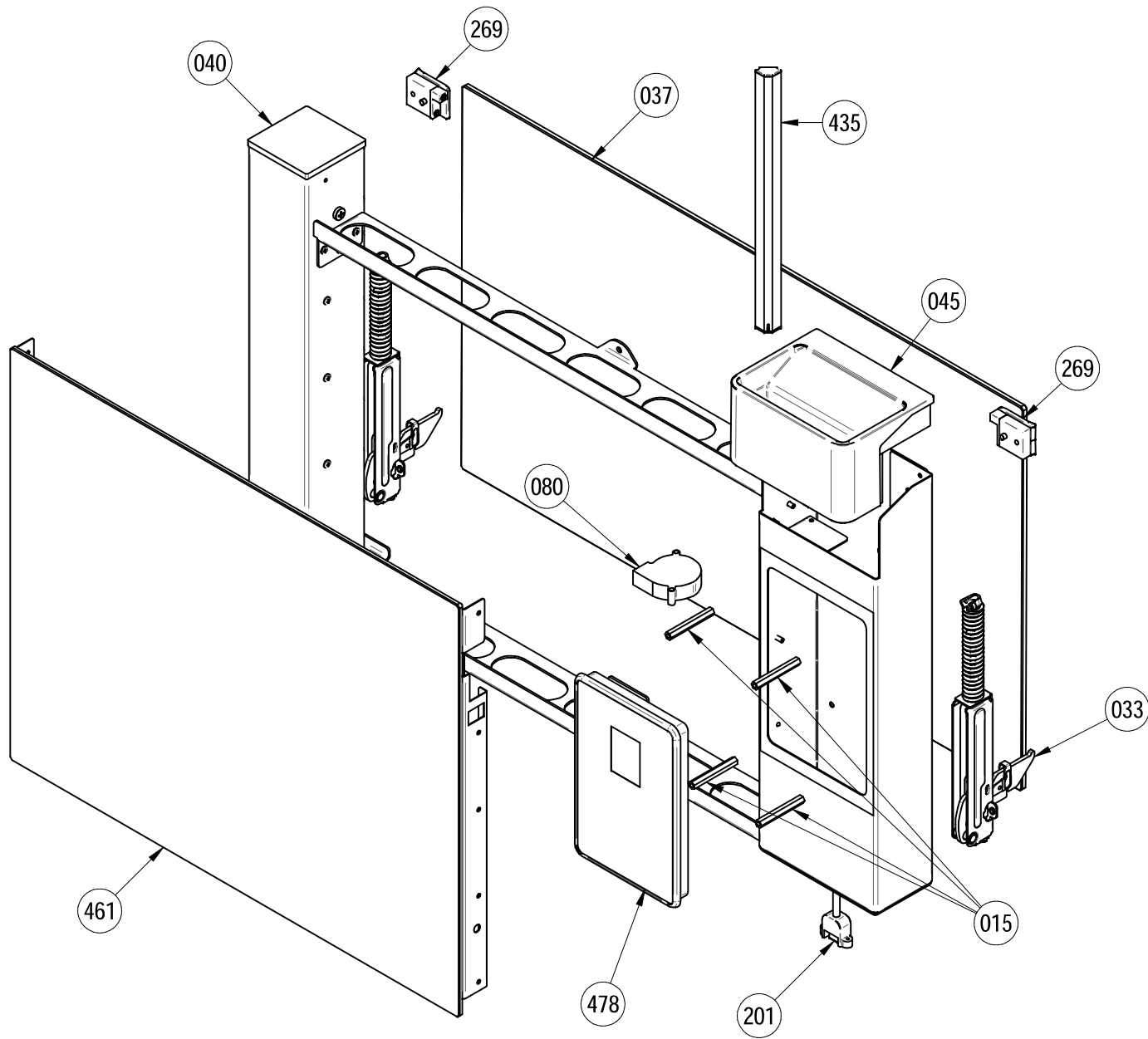
COOK *line*



SPARE PART No	CODE	DESCRIPTION	Q.TY
079	020MOR0002	TERMINAL BLOCK 7(X3) POLES 40A	1
082	020TEL0004	BRAKER 4POLES 220/240V 20A	2
083	020TER0007	SAFETY THERMAL SWITCH 1 POLE	1
091	***	VERTEX FEET H35	4
107	20ELE00014	SOLENOID VALVE 90° + FLOW LIMITER BROWN	1
193	20DIS00009	DOUBLE JOINT BOARD SPACER 3,5-5,5 H16	2
436	40DIS00011	CONDENSATE TRAY OVEN SIDE SUPPORT	2
465	40RAC00034	PIPE HOSE 8-8	1
470	20VNT00001	CROSS-FLOW FAN TG6 180	1
492	85SCH00070	BUZZER ASSEMBLED WITH CABLE 120CM	1
328	20SCH00101	RS09 EXTERNAL BUZZER W/O CABLE	1
549	85SCB00099	VERTEX CABLING DRAWER	1
197	20SCH00082	RS09 POWER BOARD FOR 2,4" SPLITTED	1
205	85KIT00088	KIT FOR TOROIDAL TRANSFORMER 20TRS00009	1
205	20TRS00009	TRANSFORMER 12V 230V 50/60HZ UL	1
480	20SCH00088	PHASE CUT RSFAN700	1
577	20ALM00004	POWER SUPPLIER 220-120V 24V 50/60HZ UL	1



SPARE PART No	CODE	DESCRIPTION	Q.TY
061	040BOC00006	CRANKSHAFT BUSH	1
062	20RES00042	HEATING ELEMENT 6.5KW 230V 6 COILS	1
074	020SON0002	PROBE TCJ FLANGED	1
080	85MOT00048	MOTOR ASSEMBLY	1
124	040GUA00007	CHAMBER PROBE FLANGE GASKET	1
295	85TBB00076	VE04 HUMIDIFICATION PIPE ASSEMBLY	1
059	60VENAJ013	FAN 200X61 AIRTEK 2.0	1
074	020SON0002	PROBE TCJ FLANGED	1
124	040GUA00007	CHAMBER PROBE FLANGE GASKET	1
196	61UGE00002	WASHING ROTOR TR02Y02-441/330	1
295	85TBB00076	VE04 HUMIDIFICATION PIPE ASSEMBLY	1
034	60STFTR001	STAFFA CERNIERA MOD.88	2
065	040GUA00014	DOOR GASKET CONVECTION OVENS	1
315	85LAV00018	VE04C WASHING PIPE ASSEMBLY	1
378	30TUBS32012	RED SILICON FIBER GLASS PIPE Ø32	1
078	020PUL0002	NO/NC MICRO SWITCH	1
418	40DIS00013	DOOR MICROSWITCH PLASTIC PLATE RAL7016	1
048	85VAS00059	VERTEX DROPS PAN ASSEMBLY	1
331	40DIS00012	CONDENSATE TRAY PLASTIC COUPLING	2
056	10DEF00153	VE04-001 AIR DEFLECTOR	1
057	70VIT041	SPEC.SCREW M5X10 SS+SHINE	2
086	70VIT015_B	SCREW M5X12 BULCK HEAD SHINE PLATE SS	2
087	50GRITR002	GRIGLIA LATERALE GN/PAST LATO B B04	1
088	50GRITR001	GRIGLIA LATERALE GN/PAST LATO A B04	1
479	85PSR00075	V-DRY KIT ASSY	1



SPARE PART No	CODE	DESCRIPTION	Q.TY
033	60CER00002	P1616A0 DOOR HINGE	2
040	60MNG00003	UPPER PLUG LH VERTEX DOOR	1
045	60MNG00004	VERTEX DOOR HANDLE	1
461	***	VE04 OVEN EXTERNAL GLASS ASSY	1
015	20DIS00001	HEXAGONAL SPACER M4x55	4
037	80VET00314	VE04 OVEN INTERNAL GLASS	1
080	20VNT00005	MICRO BLOWER FAN 24VDC 50X50X15	1
201	20CNT00040	USB PANEL CONNECTOR WITH 4 POLES JST	1
269	85CER00034	INTERNAL GLASS SPRINGS LOCKING SYSTEM	2
435	20LAM00015	LED BAR VE DOOR CR380OP4 L=285MM	1
478	***	CONTROL BOARD	1