

PROBLEM	CAUSE	SOLUTION
No cleaning solution comes out.	Empty tank.	Fill the tank.
	Closed tap valve.	Open the tap valve.
	Filter clogged.	Clean the filter.
	Pump solenoid valve not functioning.	Replace the solenoid valve pump. (*)
	Defective water pump.	Replace the water pump. (*)
	Faulty electronic board.	Replace the electronic board. (*)
Insufficient floor cleaning.	Unsuitable brushes or detergent.	Use brushes or detergents which are suitable for the type of floor or dirt to be cleaned.
	Brush worn.	Replace the brush.

(*) Call customer service to request replacement.

17.1 - DEMOLITION OF THE MACHINE



DANGER:

Lithium battery and electrical parts are to be considered as special waste and must therefore be disposed of at appropriate collection facilities, as prescribed by the current regulations in the country of use.

18.1 - WIRING DIAGRAM

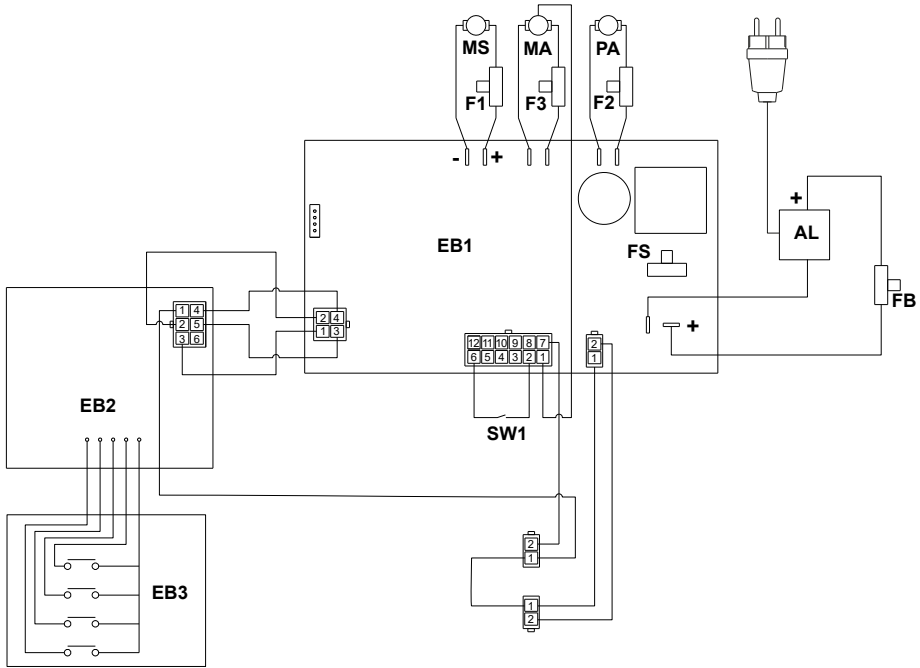
Key:

AL	Power supply (E)
BAT	Battery (BC)
BC	Battery charger (BC)
EB1	Electronic functions card
EB2	Display
EB3	Control panel
F1	Brush fuse (3A)
F2	Water pump fuse (10A)
F3	Vacuum fuse (10A)
FB	Battery fuse (40A)
FS	Functions card fuse (10A)
MA	Vacuum motor
MS	Brush motor
PA	Water pump
SW1	Lever microswitch

Colour codes:

BK	Black
BU	Blue
BN	Brown
GN	Green
GY	Grey
OG	Orange
PK	Pink
RD	Red
VT	Violet
WT	White
YE	Yellow

18.1.a - Wiring diagram (E version)



18.1.b - Wiring diagram (BC version)

