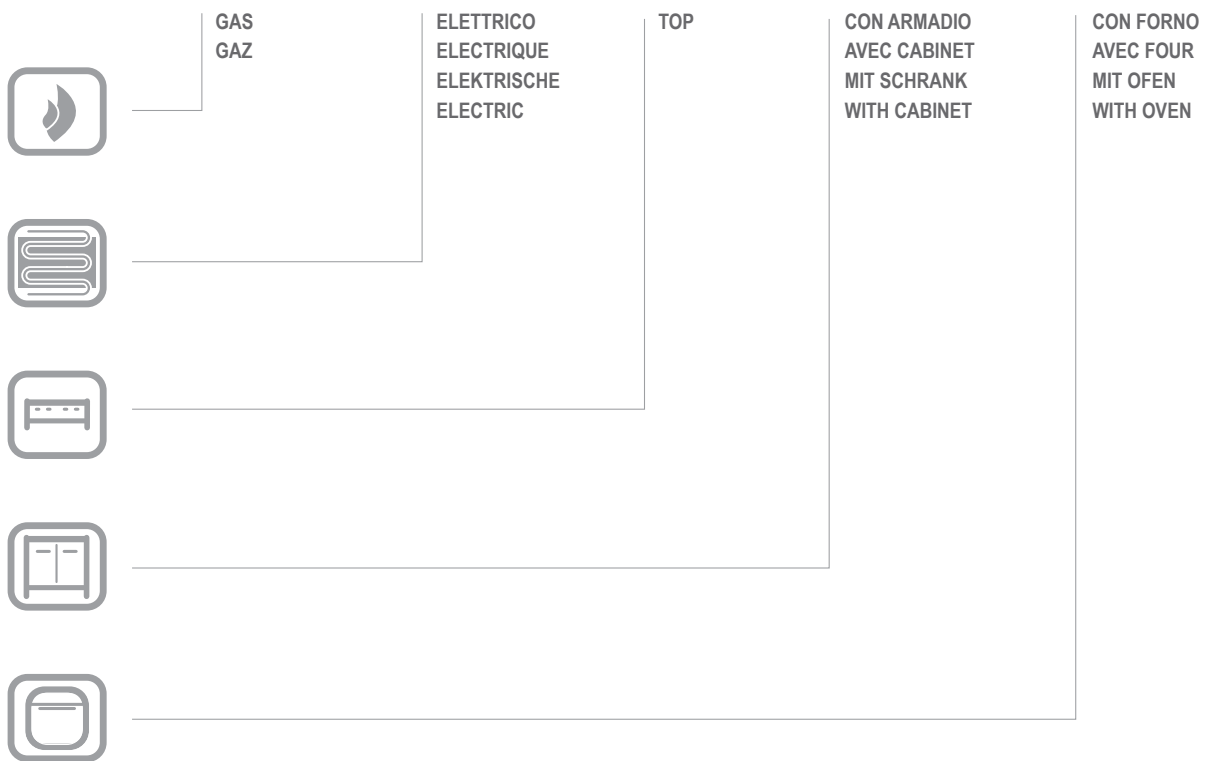




G6FMG8 (XXS-XXSP-XS-XM-XL-XXL)

G6FMG8

CATALOGO PARTI DI RICAMBIO
CATALOGUE PIECES DETACHEES
ERSATZTEILKATALOG
SPARE PARTS CATALOGUE



**Catalogo parti di ricambio valido
dalla matricola 0000001 (31.10.2006) ad oggi (27.07.2020)**

**Catalogue pieces detachees
valable à partir du numero de Série n. 0000001 (31.10.2006) jusqu'à aujourd'hui
(27.07.2020)**

**Ersatzteilkatalog
gültig ab Serien-Nr. 0000001 (31.10.2006) bis heute (27.07.2020)**

**Spare parts catalogue
valid from serial no. 0000001 (31.10.2006) up today (27.07.2020)**

**Catálogo de peças de reposição
válido do número de série 0000001 (31.10.2006) até hoje (27.07.2020)**

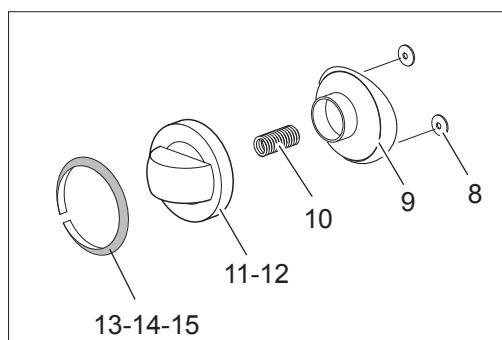
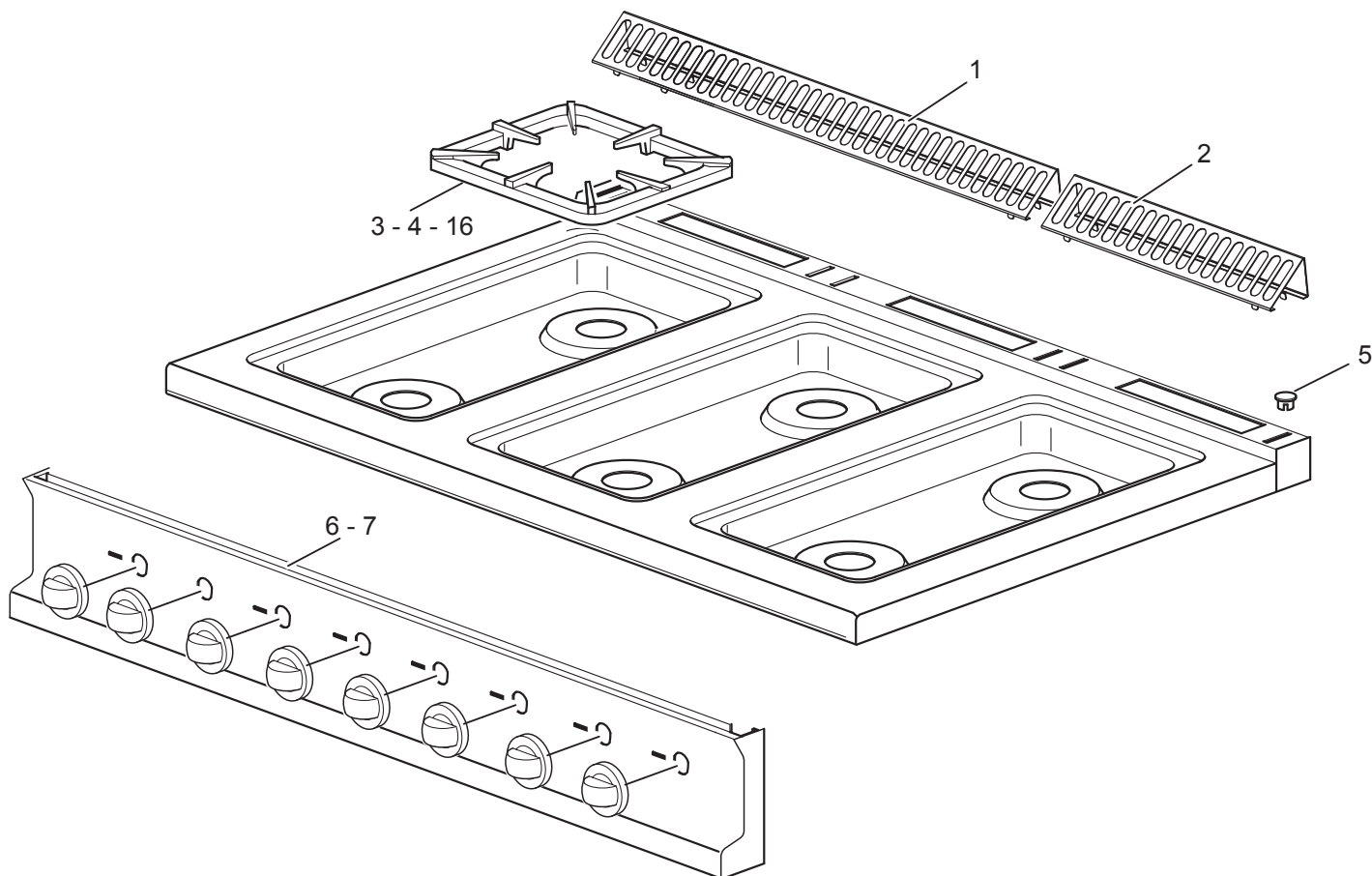
Le informazioni sono considerate non vincolanti. Le immagini rappresentate sono puramente indicative. Il produttore si riserva il diritto di apportare modifiche in qualsiasi momento senza preavviso.

Les informations données ne sont pas contraignantes. Les images montrées sont à titre indicatif. Le producteur se réserve le droit d'apporter des modifications sans préavis.

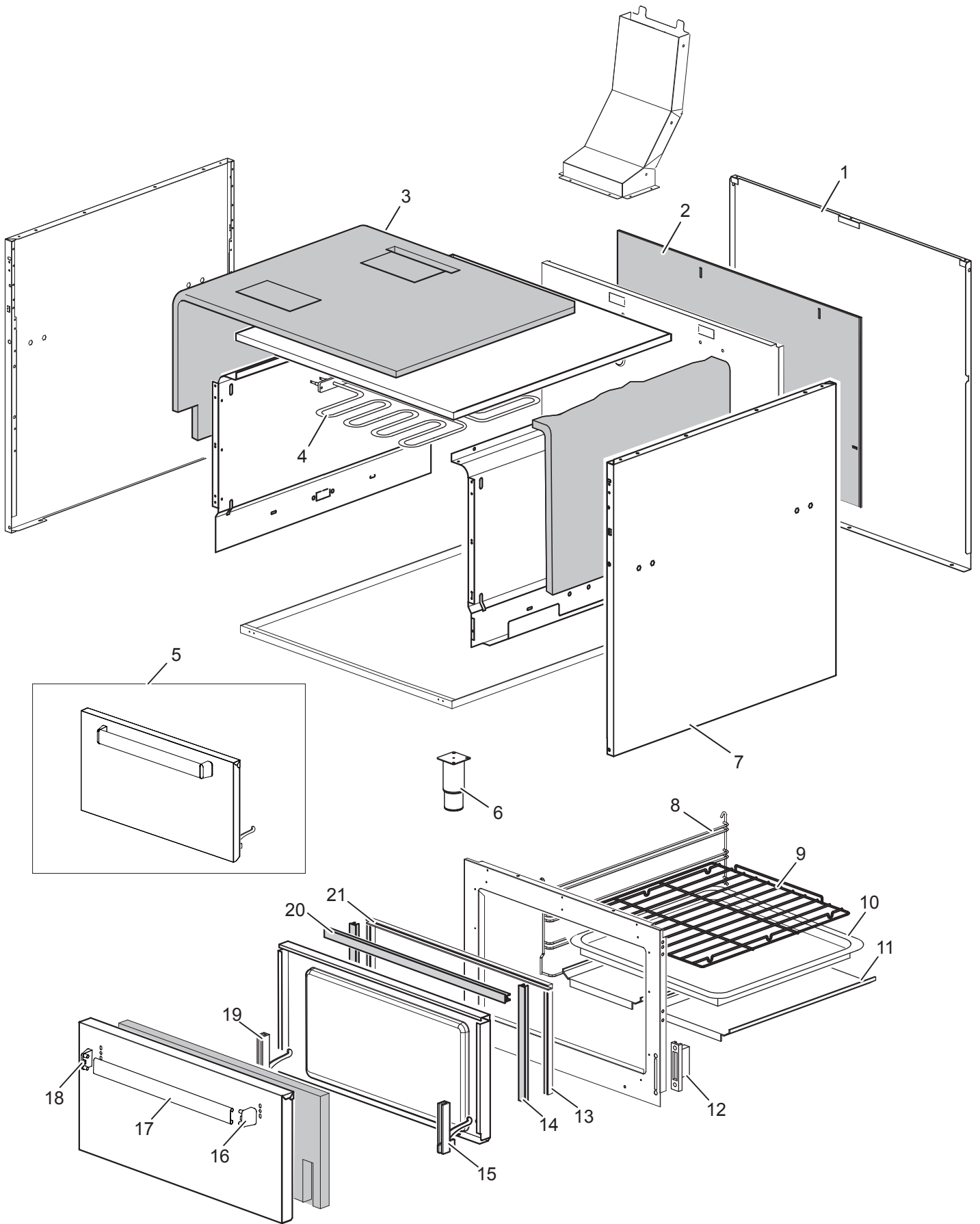
Die im vorliegenden Dokument aufgeführten Informationen und Bilder sind unverbindlich. Der Hersteller behält sich das Recht vor, jederzeit ohne vorherige Ankündigung Änderungen vorzunehmen

Info and drawing could be slightly different from reality and they cannot be considered as compelling. Manufacturer can modify info anytime without forewarning.

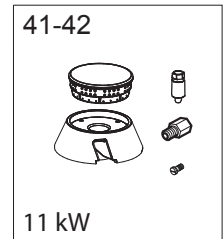
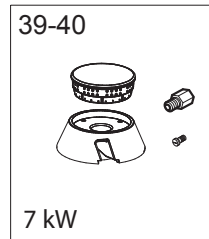
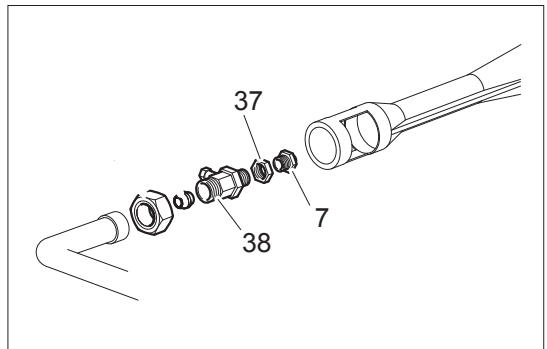
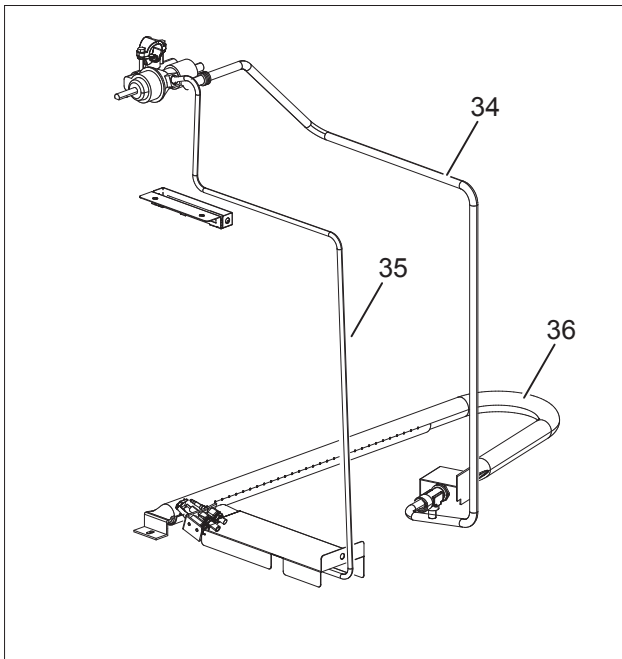
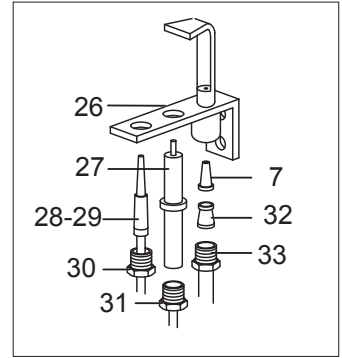
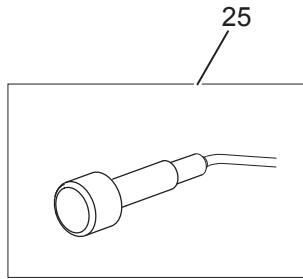
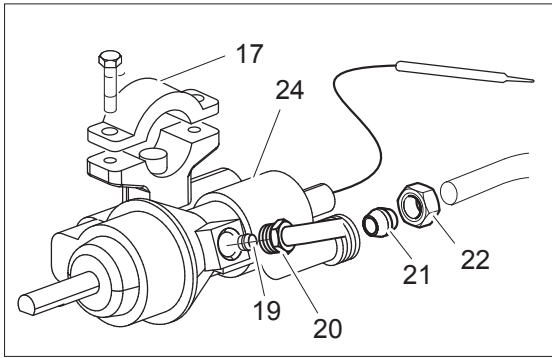
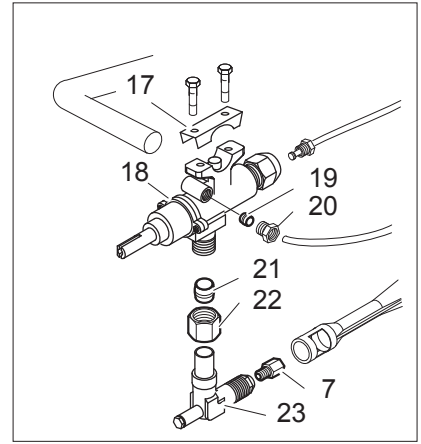
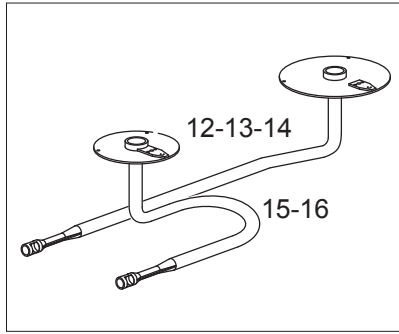
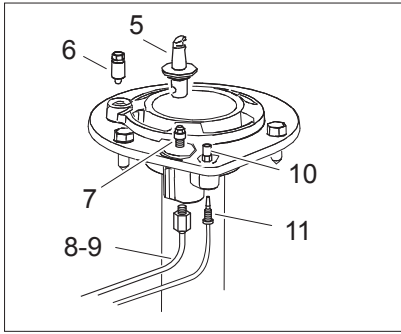
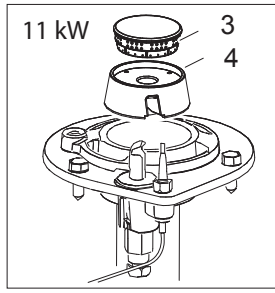
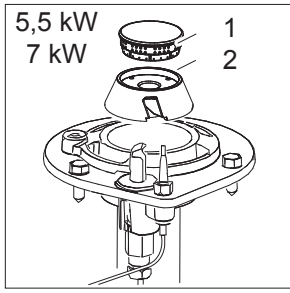
As Informações e desenhos podem estar um pouco diferente da realidade e são puramente indicativas. O fabricante pode modificar estas informações a qualquer momento sem aviso prévio.



Nr.	Code	Title	Recommended
1.	180968	<i>CHIMNEY GRILL</i>	
2.	181043	<i>CHIMNEY GRILL</i>	
3.	186467	<i>STAINLESS STEEL GRID</i>	
4.	185747	<i>SINGLE CAST IRON GRID</i>	
6.	183390	<i>CONTROL PANEL</i>	
11.	169337	<i>BURNER KNOB</i>	✓
12.	169340	<i>COMMUTATOR KNOB</i>	✓
13.	169364	<i>SWITCH RING</i>	✓
14.	169367	<i>OVEN RING</i>	✓
15.	171520	<i>KNOB RING</i>	✓



Nr.	Code	Title	Recommended
1.	182390	BACK SIDE	
2.	RTBF800388	INSULATING PANEL	
3.	180413	INSULATING PANEL	
4.	RTCU900435	OVEN HEATING ELEMENT 2,5KW	✓
5.	183310	OVEN DOOR COMPLETE	
6.	RTCU700277	FOOT	
7.	180969	LATERAL SIDE	
8.	179341	OVEN LATERAL SIDE	
9.	RTCU900388	OVEN GRATE	
10.	PACU900606	TRAY	
11.	183515	OVEN PLATE	
12.	RTCU900004	SUPPORT FOR OVEN HINGE	✓
13.	184105	GASKET HOLDER	
14.	163888	LATERAL GASKET FOR OVEN DOOR	✓
15.	RTCU900396	MAXI OVEN RIGHT HINGE DOOR	✓
17.	168346	HANDLE	
18.	RTCU800001	HANDLE TERMINAL	
19.	RTCU900397	MAXI OVEN LEFT HINGE DOOR	✓
20.	166504	UPPER GASKET FOR OVEN DOOR	✓
21.	184112	GASKET HOLDER	



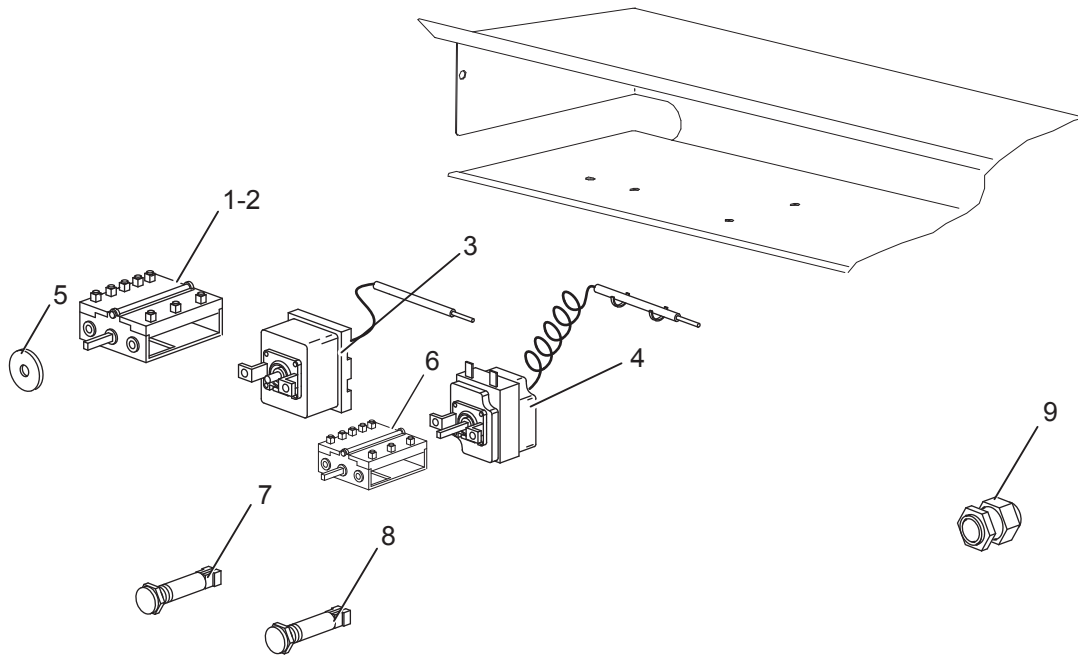
Nr.	Code	Title	Recommended
1.	185734	BURNER CAP 7000 KCAL	✓
2.	185727	BURNER 7KW	✓
3.	185736	BURNER CAP 11000 KCAL	✓
4.	185730	BURNER 11KW	✓
5.	185732	PILOT BURNER FLEX 2.0	✓
6.	185752		
7.	INIETTORE	SEE HANDBOOK NOZZLES	
8.	173390	FRONT BURNER PILOT PIPE	
9.	173391	BACK BURNER PILOT PIPE	
10.	RTC700391	NUT	
11.	RTC700374	THERMOCOUPLE	✓
12.	185742	FRONT BURNER DISTRIBUTION PIPE	
15.	185744	BACK BURNER DISTRIBUTION PIPE	
17.	167184	SAFETY VALVE BRIDLE	✓
18.	167997	SAFETY VALVE	✓
19.	RTC900018	BICONE D.6	✓
20.	RTC900019	NUT D.6	✓
21.	RTC900012	BICONE D.10	✓
22.	RTC700297	NUT D.10	✓
23.	173320	INJECTOR SUPPORT TOP G4SF77	
24.	RIC0004862	GAS THERMOSTAT	✓
25.	RIC0004096	PIEZO IGNITION + LIGHTING CABLE	✓
26.	RTCP800034	3 WAYS PILOT BURNER	✓
28.	RTC700374	THERMOCOUPLE	✓
29.	RTC900061	THERMOCOUPLE	✓
30.	RTCP800038	T/COUPLE CONNECTION GC47	✓
31.	RTC900215	SPARK NUT	✓
32.	RTC800183	BICONE D.6	✓
34.	183303	FEEDING PIPE FOR OVEN BURNER	
35.	183304	OVEN BURNER PILOT PIPE	
36.	174076	OVEN BURNER 9KW	✓
37.	RTC900005	LOCK NUT	
38.	162697	INJECTOR SUPPORT	

40. KFB70N

COMPLETE NICKELLED BURNER KIT 7KW

42. KFB11N

COMPLETE NICKELLED BURNER KIT 11KW



Nr.	Code	Title	Recommended
1.	RTCU900110	<i>THERMOSTAT COMMUTATOR</i>	✓
4.	RTCU800152	<i>SAFETY THERMOSTAT</i>	✓
5.	RTCU800185	<i>GASKET FOR COMMUTATOR ROD</i>	✓
7.	166465	<i>GREEN WARNING LIGHT</i>	✓
9.	RTBF800138	<i>CHOCK PG21</i>	

MOD. 700

XS

5,5kW
5,5kW

5,5kW	5,5kW
5,5kW	5,5kW

5,5kW	5,5kW	5,5kW
5,5kW	5,5kW	5,5kW

XM

7 kW
5,5kW

5,5kW	7 kW
5,5kW	5,5kW

7 kW	5,5kW	7 kW
5,5kW	7 kW	5,5kW

XL

7 kW
7 kW

7 kW	7 kW
7 kW	7 kW

7 kW	7 kW	7 kW
7 kW	7 kW	7 kW

MOD. 980

XXS

5,5kW
5,5kW

5,5kW	5,5kW
5,5kW	5,5kW

5,5kW	5,5kW	5,5kW
5,5kW	5,5kW	5,5kW

XXSP

5,5kW	11 kW
5,5kW	5,5kW

5,5kW	11 kW
11 kW	5,5kW

XS

7 kW
7 kW

7 kW	7 kW
7 kW	7 kW

7 kW	7 kW	7 kW
7 kW	7 kW	7 kW

XM

7 kW	11 kW
7 kW	7 kW

7 kW	7 kW	11 kW
7 kW	7 kW	7 kW

XL

11 kW
7 kW

7 kW	11 kW
11 kW	7 kW

11 kW	7 kW	11 kW
7 kW	7 kW	7 kW

XXL

11 kW
11 kW

11 kW	11 kW
11 kW	7 kW

11 kW	7 kW	11 kW
7 kW	11 kW	7 kW

