

Apach

COOK *line*

APTG-77PR/PL

APMFTG77AR

Catalogo parti di ricambio valido
dalla matricola 0000001 (31.10.2006) ad oggi (21.11.2023)

Catalogue pieces detachees
valable à partir du numero de Série n. 0000001 (31.10.2006) jusqu'à aujourd'hui
(21.11.2023)

Ersatzteilkatalog
gültig ab Serien-Nr. 0000001 (31.10.2006) bis heute (21.11.2023)

Spare parts catalogue
valid from serial no. 0000001 (31.10.2006) up today (21.11.2023)

Catálogo de peças de reposição
válido do número de série 0000001 (31.10.2006) até hoje (21.11.2023)

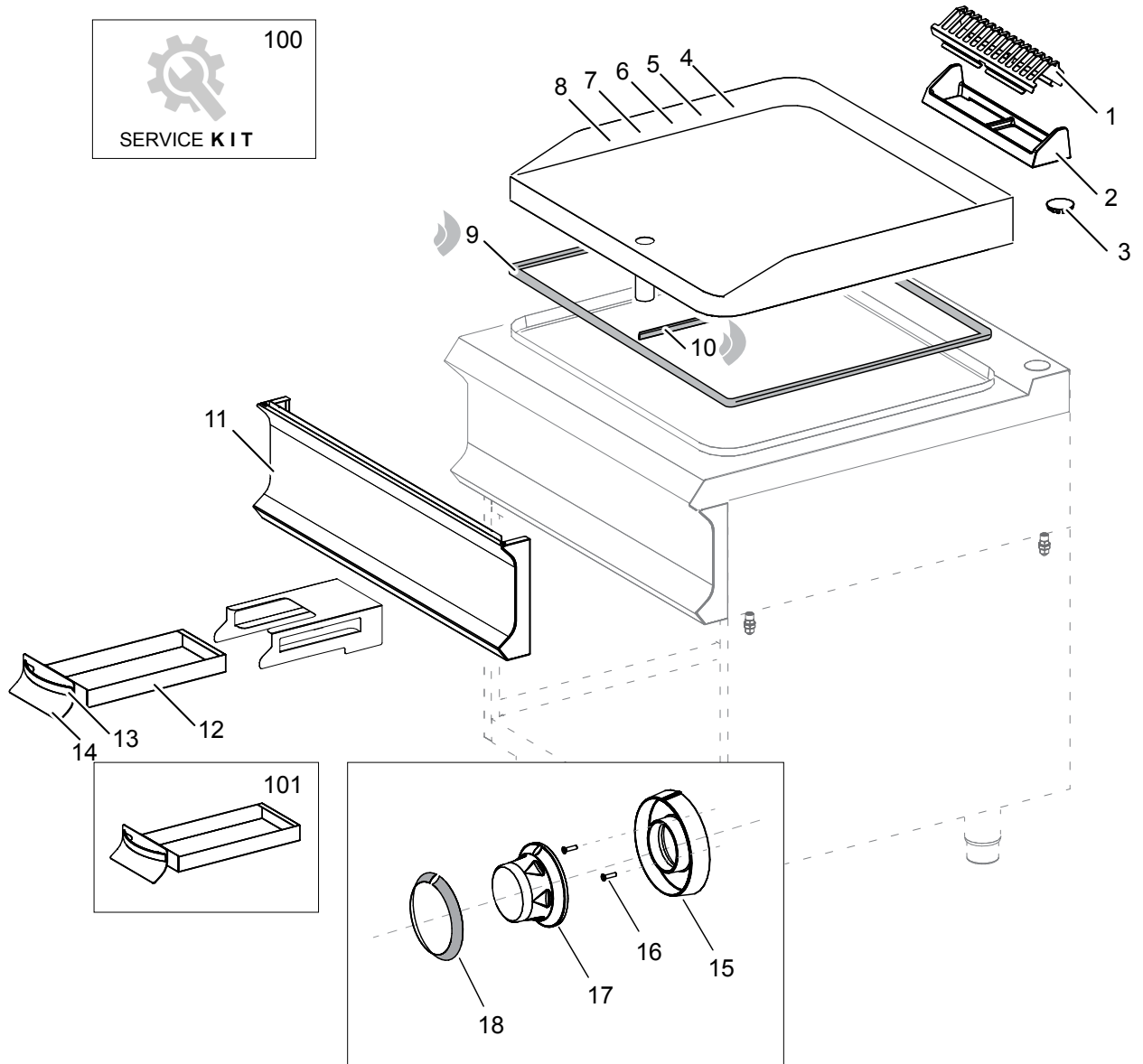
Le informazioni sono considerate non vincolanti. Le immagini rappresentate sono puramente indicative. Il produttore si riserva il diritto di apportare modifiche in qualsiasi momento senza preavviso.

Les informations données ne sont pas contraignantes. Les images montrées sont à titre indicatif. Le producteur se réserve le droit d'apporter des modifications sans préavis.

Die im vorliegenden Dokument aufgeführten Informationen und Bilder sind unverbindlich. Der Hersteller behält sich das Recht vor, jederzeit ohne vorherige Ankündigung Änderungen vorzunehmen

Info and drawing could be slightly different from reality and they cannot be considered as compelling. Manufacturer can modify info anytime without forewarning.

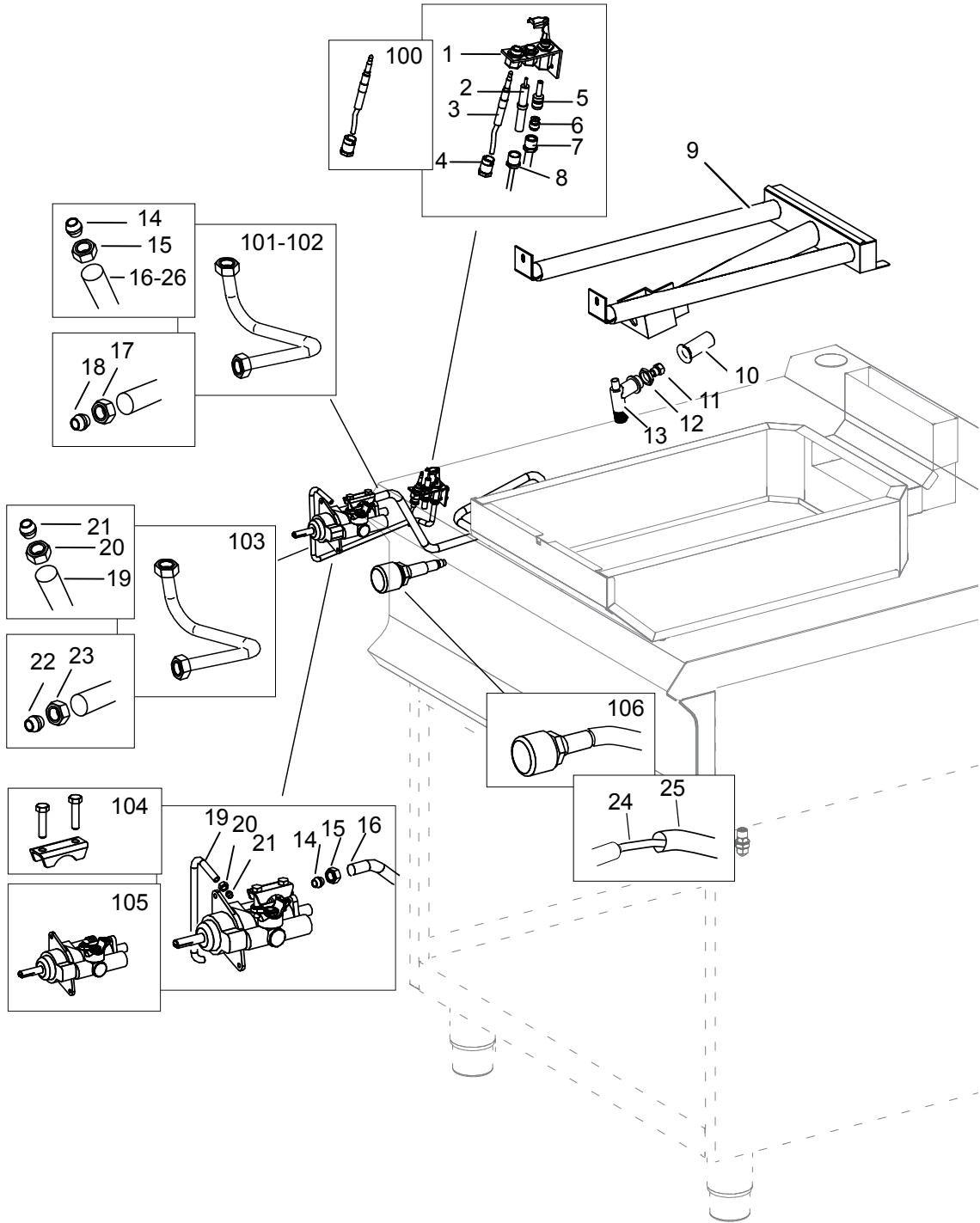
As Informações e desenhoS podem estar um pouco diferente da realidade e são puramente indicativas. O fabricante pode modificar estas informações a qualquer momento sem aviso prévio.



Nr.	Code	Title	Recommended
1.	202046	CHIMNEY GRILL	
4.	201881	SMOOTH HOB	
5.	201884	SMOOTH CHROME HOB	
6.	201895	RIBBED HOB	
7.	201887	SMOOTH STRIPED HOB	
8.	201892	1/2RIBBED 1/2SMOOTH CHROME HOB	
9.	202682	INSULATION	
10.	202682	INSULATION	
11.	202819	CONTROL PANEL	
12.	203182	OIL DRAWER	
13.	160270	HANDLE SATIN NICKEL	
14.	202870	EXTERNAL DRAWER PANEL	
17.	168867	BURNER KNOB	
18.	199110	THERMOSTAT RING 280°	
100.	ECS7016	RECOMMENDED PARTS FOR FTBG74-77	
101.	RIC0005210	OIL DRAWER COMPLETE	
102.	RIC0005333	EXTENSION DRAIN	



Nr.	Code	Title	Recommended
6.	200042	<i>BACK SIDE TALL</i>	
7.	200041	<i>BACK SIDE INFERIOR</i>	
8.	200031	<i>LATERAL SIDE RIGHT</i>	
9.	200032	<i>LATERAL SIDE LEFT</i>	
11.	200040	<i>REMOVABLE LOWER FLOOR</i>	
12.	200030	<i>CROSS FEET</i>	
13.	RTCU700277	<i>FOOT</i>	
14.	200039	<i>FRONT / BACK CROSSPIECE</i>	



Nr.	Code	Title	Recommended
1.	RTCP800034	SIT 1 WAY PILOT BURNER (TARGET)	✓
2.	RTCP800033	IGNITION PLUG ROUND 7X44 LENGHT 58 MM	✓
3.	RTCU700296	THERMOCOUPLE	✓
4.	RTCP800038	FIXING NUT FOR TARGET THERMOCOUPLE	✓
5.	INIETTORE	SEE HANDBOOK NOZZLES	
6.	RTCU800183	BICONE D.6 MM.11	
7.	RTCU800182	NUT AC.D.6 BLACK HEIGHT 11 MM.	
8.	RTCU900215	FIXING NUT SIT FOR SPARK ELECTRODES	✓
9.	186315	BURNER	✓
10.	RTCU700584	AIR REGULATOR BURNER 18X42	
11.	INIETTORE	SEE HANDBOOK NOZZLES	
12.	RTCU900005	LOCK NUT	
13.	RTCU900337	INJECTOR SUPPORT	
19.	201658	LEFT BURNER PILOT PIPE	
20.	RTCU900019	NUT D.6 HEIGHT 10,5 MM.	
21.	RTCU900018	BICONE D.6 MM.6	
24.	RTCU900384	OVEN LIGHTING CABLE	✓
25.	168890	TRASPARENT SILICON PIPE	
27.	201574	RIGHT PILOT POWER SUPPLY PIPE	
100.	RTCU900474-00	KIT THERMOCOUPLE	
101.	201659	LEFT BURNER FEED PIPE	
102.	201576	FEEDING PIPE FOR BURNER	
103.	RIC0005146	LEFT PILOT TUBE KIT	
104.	RIC0005147	KIT PILOT PIPE RIGHT	
105.	RIC0004862	GAS THERMOSTAT	✓
106.	RIC0004096	PIEZO IGNITION + LIGHTING CABLE	✓