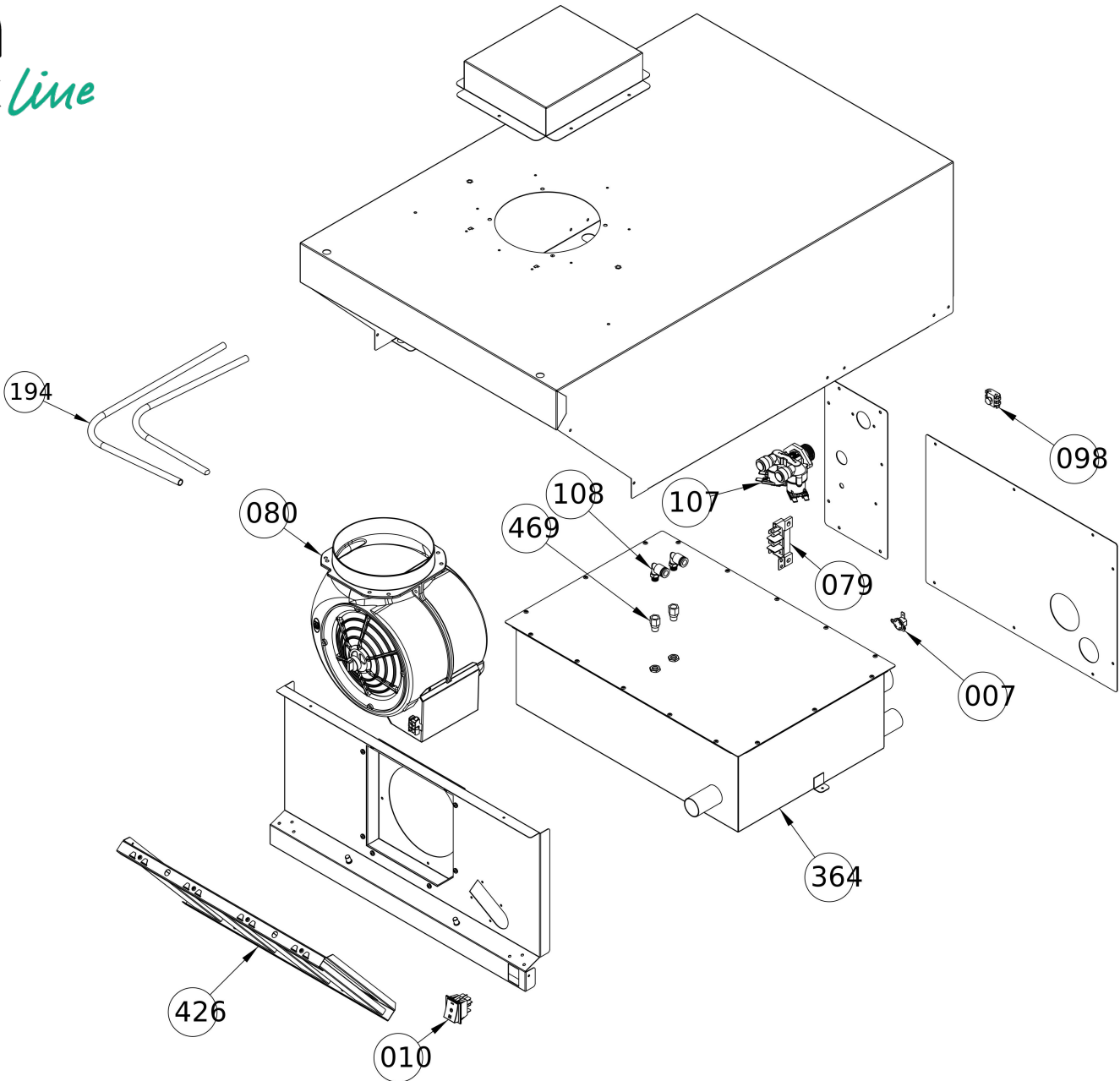


# Apach

COOK *line*



#	Code	Description	Specification	UM	Qty
007	20REG00001	THERMOSTAT NO-65°C NC-80°C 10A		pz	1
010	20PUL00010	LIGHT SWITCH 3POS/6POLE 16A/250V		pz	1
079	020MOR0003	TERMINAL BLOCK		pz	1
080	20MOT00036	CENTRIFUGAL MOTOR 220 50/60HZ 1000M3/H		pz	1
098	020MOR0001	TERMINAL BLOCK BRIDGE		pz	1
107	20ELE00017	SOLENOID VALVE 2 WAYS C/JG		pz	1
108	61RCC00001	TURNING 90° FITTING 1/8"M-5/16"F (8MM)		pz	2
194	30TUBP80007	PLASTIC PIPE 8X6		cm	300
364	85SCB00118	PORI CONDENSATION BOX		pz	1
426	85PSR00060	ASSY FRONT AIR VENT LH RIALTO		pz	1
469	60UGE00004	NOZZLE 1/8" NPT TH.EXT. OCDF04X02		pz	2