

# Apach

COOK *line*

## APMWGE98A

Catalogo parti di ricambio valido  
dalla matricola 0000001 (31.10.2006) ad oggi (22.11.2023)

Catalogue pieces detachees  
valable à partir du numero de Série n. 0000001 (31.10.2006) jusqu'à aujourd'hui  
(22.11.2023)

Ersatzteilkatalog  
gültig ab Serien-Nr. 0000001 (31.10.2006) bis heute (22.11.2023)

Spare parts catalogue  
valid from serial no. 0000001 (31.10.2006) up today (22.11.2023)

Catálogo de peças de reposição  
válido do número de série 0000001 (31.10.2006) até hoje (22.11.2023)

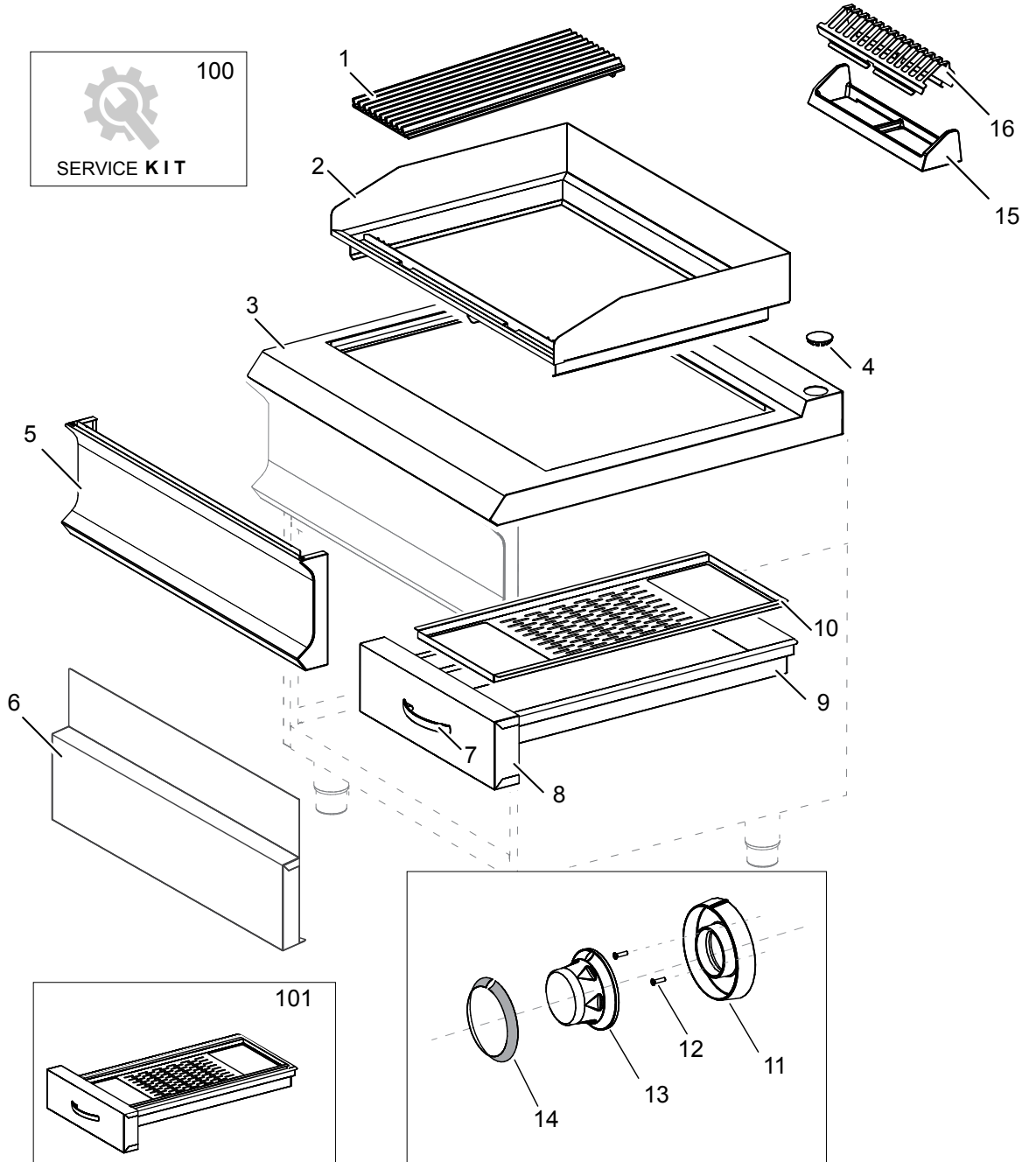
Le informazioni sono considerate non vincolanti. Le immagini rappresentate sono puramente indicative. Il produttore si riserva il diritto di apportare modifiche in qualsiasi momento senza preavviso.

Les informations données ne sont pas contraignantes. Les images montrées sont à titre indicatif. Le producteur se réserve le droit d'apporter des modifications sans préavis.

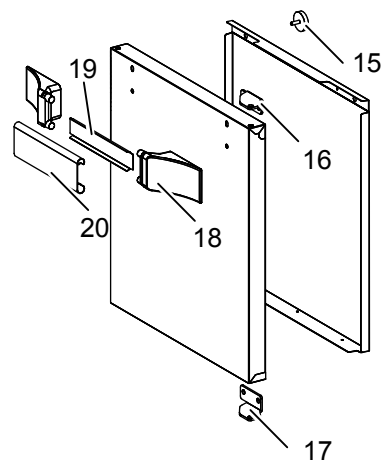
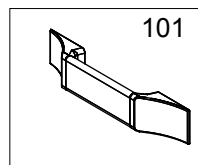
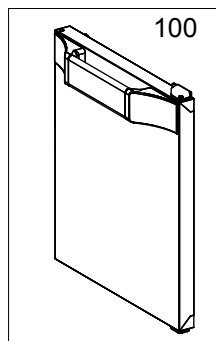
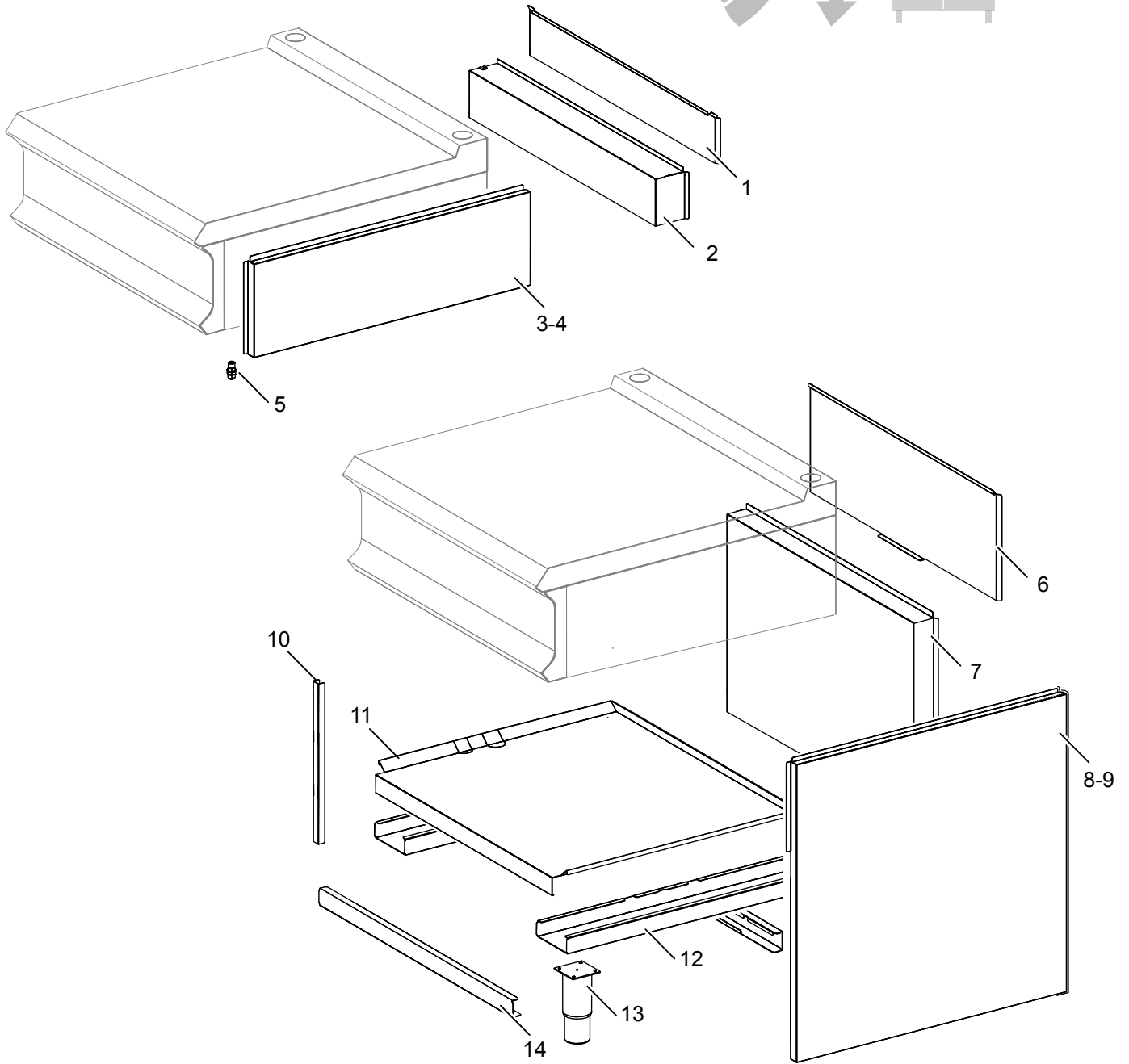
Die im vorliegenden Dokument aufgeführten Informationen und Bilder sind unverbindlich. Der Hersteller behält sich das Recht vor, jederzeit ohne vorherige Ankündigung Änderungen vorzunehmen

Info and drawing could be slightly different from reality and they cannot be considered as compelling. Manufacturer can modify info anytime without forewarning.

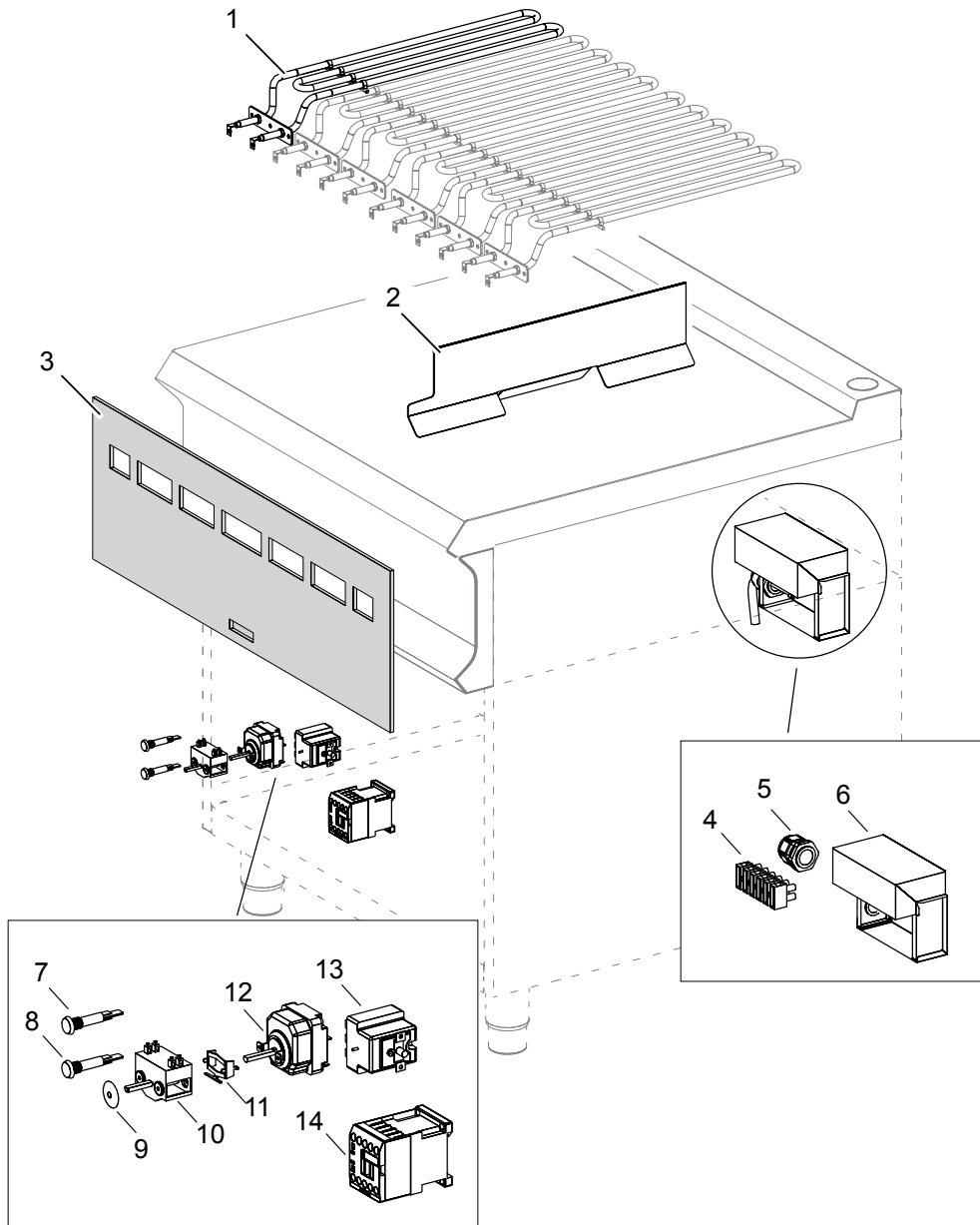
As Informações e desenhoS podem estar um pouco diferente da realidade e são puramente indicativas. O fabricante pode modificar estas informações a qualquer momento sem aviso prévio.



<b>Nr.</b>	<b>Code</b>	<b>Title</b>	<b>Recommended</b>
1.	203692	<i>SPLASH GUARD</i>	
2.	203625	<i>CAST IRON GRID</i>	
3.	203865	<i>WORK PLANE</i>	
5.	202849	<i>CONTROL PANEL</i>	
6.	203863	<i>FRONT PANEL</i>	
7.	160270	<i>HANDLE SATIN NICKEL</i>	
8.	184139	<i>DRAWER PANEL</i>	
9.	203695	<i>DRAWER</i>	
13.	168878	<i>ELECTRIC BLACK KNOB BODY + CLIP</i>	
14.	199115	<i>OVEN RING</i>	
16.	202046	<i>CHIMNEY GRILL</i>	
17.	203482	<i>OIL DRAWER</i>	
101.	RIC0005176	<i>WATER DRAWER COMPLETE</i>	



<b>Nr.</b>	<b>Code</b>	<b>Title</b>	<b>Recommended</b>
6.	200470	<i>HIGH REAR</i>	
7.	200469	<i>REAR LOWER</i>	
8.	201557	<i>LEFT SIDE</i>	
9.	201556	<i>RIGHT SIDE</i>	
12.	201554	<i>CROSS FEET</i>	
13.	RTCU700277	<i>FOOT</i>	
14.	200467	<i>FRONT-REAR CROSS MEMBER</i>	



<b>Nr.</b>	<b>Code</b>	<b>Title</b>	<b>Recommended</b>
1.	203699	HEATING ELEMENT 2,3KW	✓
2.	203698	SEPARATOR	
3.	201409	INSULATING PANEL	✓
4.	RTBF900045	TERMINAL BOARD	
5.	RTBF800138	CHOCK	
6.	204566	CABINET TERMINAL BLOCK PROTECTION	
7.	166466	ORANGE LAMP LIGHT	✓
8.	166465	GREEN WARNING LIGHT	✓
9.	RTCU800185	GASKET FOR COMMUTATOR ROD	✓
10.	RTCU900110	THERMOSTAT COMMUTATOR	✓
11.	RTBF900037	LOW BRACKET COMMUTATOR/THERMOSTAT	✓
12.	184712	WORKING THERMOSTAT T.236°C	✓
13.	189742	SAFETY THERMOSTAT	✓
14.	RTFOC00466	RELAJ	✓