



**Catalogue**  
LAUNDRY  
**Chapter**  
DRYERS

**Model**  
SR-35 TP2 E PLUS 400V 3N 50Hz

18003128

14/02/2020

**ADVANCE PLUS DRYER, SR-35 TP2 E PLUS**

**KEY FEATURES:**

**01. GREEN FLOW SYSTEM**

To achieve maximum energy savings, we have created an air recirculation system that sends hot expelled air back into the drum. The ADVANCE PLUS range reuses hot air, reducing the maximum drying cycle time and energy consumption.

**02. TOTAL FLOW**

An innovative and optimised mixed airflow for Advance Plus dryers. The standard axial-radial airflow (mixed flow) is complemented by additional openings to optimised the air circuit and reach maximum efficiency.

**03. DOUBLE SKIN**

Double skin and a double-glazed door that provide a complete thermal insulation of the machine for improved energy efficiency.

**OPL <-> SELF-SERVICE**

The machines can be converted from OPL to Selfservice and vice versa from the TP2 control.

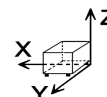
- Green flow system: air recirculation system that allows air to be reused for greater energy savings and improved airflow.
- iDry System (Intelligent moisture sensor + temperature control at the drum entrance).
- Double skin that provides thermal insulation for the best possible energy efficiency.
- Fully Programmable Touch Plus Control Processor (TP2) with 7" touchscreen.
- External steel casing with grey coating (skinplate), stainless steel, easy to clean finish.
- Stainless steel drum.
- Total Flow: Optimised axial-radial airflow.
- Drum with stamped perforations to guarantee the gentle treatment of fabrics.
- Lint filter at the bottom, more ergonomic, larger and improved airflow.
- Automatic reverse rotation of the drum.
- Frequency inverter for smoother operation.
- Double-glazed door with a large opening.
- Anti-wrinkle system.
- End of cycle tone.
- Emergency stop button and security micro magnet to stop operation.
- Fire Kare System (Integrated fire prevention system).
- Pulley and Poly-V belt transmission system with the drum supported on wheels.

**OPTIONS:**

- Reverse opening door.
- Stainless steel casing.
- Stainless steel front.
- Wooden packaging.
- Air intake filter.
- Fluff filter.
- Tropicalised electronics.
- WI-FI
- Printer

**DIMENSIONS**

X Width	985 mm	X Gross width	1065 mm
Y Depth	1210 mm	Y Gross depth	1310 mm
Z Height	1946 mm	Z Gross height	2080 mm
Net Weight	260,0 kg	Gross Weight	285,0 kg
Net volume	2,320 m3	Gross volume	2,902 m3



**ELECTRICITY TECHNICAL SPECIFICATIONS**

Engine power	0,55 kW
Fan Motor Power	0,75 kW
Electric power	37,350 kW
Amperage (A)	54,0
Heating power	36,00 kW
Voltage	400V - 3N
Electric frequency	50Hz

**AIR TECHNICAL SPECIFICATIONS**

Maximum airflow	1500 m3/h
-----------------	-----------

**CONNECTIONS TECHNICAL SPECIFICATIONS**

230 V three-phase wiring	4 X 50 / 125A
Three-phase +N 400V wiring	5 X 16 / 63A
Water inlet diameter	1/2"
Extraction 1 diameter	200,00 mm

**OTHERS**

Load capacity 1/18	36,70 kg
Load capacity 1/20	33,00 kg
Drum volume	660 L
Drum diameter	947 mm
Drum depth	936 mm
Hourly Output **	63,9 kg/h
Evaporation capacity *	31,5 L/h
Noise level	65,00 dB



Catalogue  
**LAUNDRY**

Chapter  
**DRYERS**

Model  
**SR-35 TP2 E PLUS 400V 3N 50Hz**

18003128

14/02/2020

- Dosing.

Placement of the door:

Door center height: 1040 mm

Door base height: 577 mm

Door opening diameter: 802 mm

\* Drying conditions: complete loading (1/20) of towels, drying temperature 90°C.

\*\*\* kg dry clothes per hour. Drying conditions: complete loading (1/20) of towels, drying temperature 90°C.

"



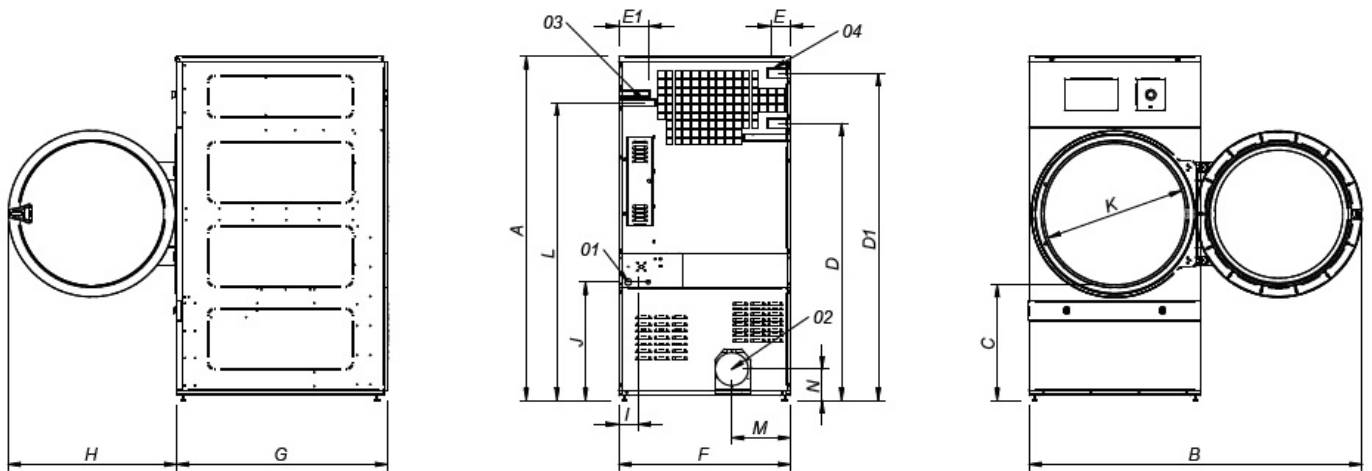
Catalogue  
**LAUNDRY**

Chapter  
**DRYERS**

Model  
**SR-35 TP2 E PLUS 400V 3N 50Hz**

18003128

14/02/2020



01 ACOMETIDA ELÉCTRICA  
02 S ALIDA VAHOS Ø20 0  
03 ENTRAD A GAS 1/2"  
04 ENTRAD A VAPOR 1"

01 ELECTRIC CONNECTION  
02 FUMES OUTLET Ø200  
03 GAS CONNECTION 1/2"  
04 STEAM CONNECTION 3/4"

	A	B	C	D	D1	E	E1	F	G	H	I	J	K	L	M	N
SR-28	1946	1910	640	1590	1875	113	174	985	1054	957	110	680	802	1707	337	178
SR-35	1946	1910	640	1590	1875	113	174	985	1210	957	110	680	802	1707	337	178