

Apach

COOK *Line*

Catalogo parti di ricambio valido
dalla matricola 0000001 (31.10.2006) ad oggi (21.11.2023)

Catalogue pieces detachees
valable à partir du numero de Série n. 0000001 (31.10.2006) jusqu'à aujourd'hui
(21.11.2023)

Ersatzteilkatalog
gültig ab Serien-Nr. 0000001 (31.10.2006) bis heute (21.11.2023)

Spare parts catalogue
valid from serial no. 0000001 (31.10.2006) up today (21.11.2023)

Catálogo de peças de reposição
válido do número de série 0000001 (31.10.2006) até hoje (21.11.2023)

Le informazioni sono considerate non vincolanti. Le immagini rappresentate sono puramente indicative. Il produttore si riserva il diritto di apportare modifiche in qualsiasi momento senza preavviso.

Les informations données ne sont pas contraignantes. Les images montrées sont à titre indicatif. Le producteur se réserve le droit d'apporter des modifications sans préavis.

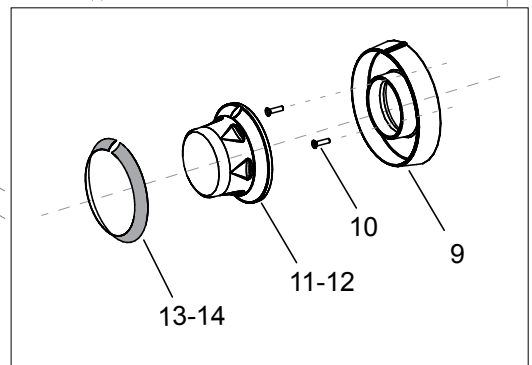
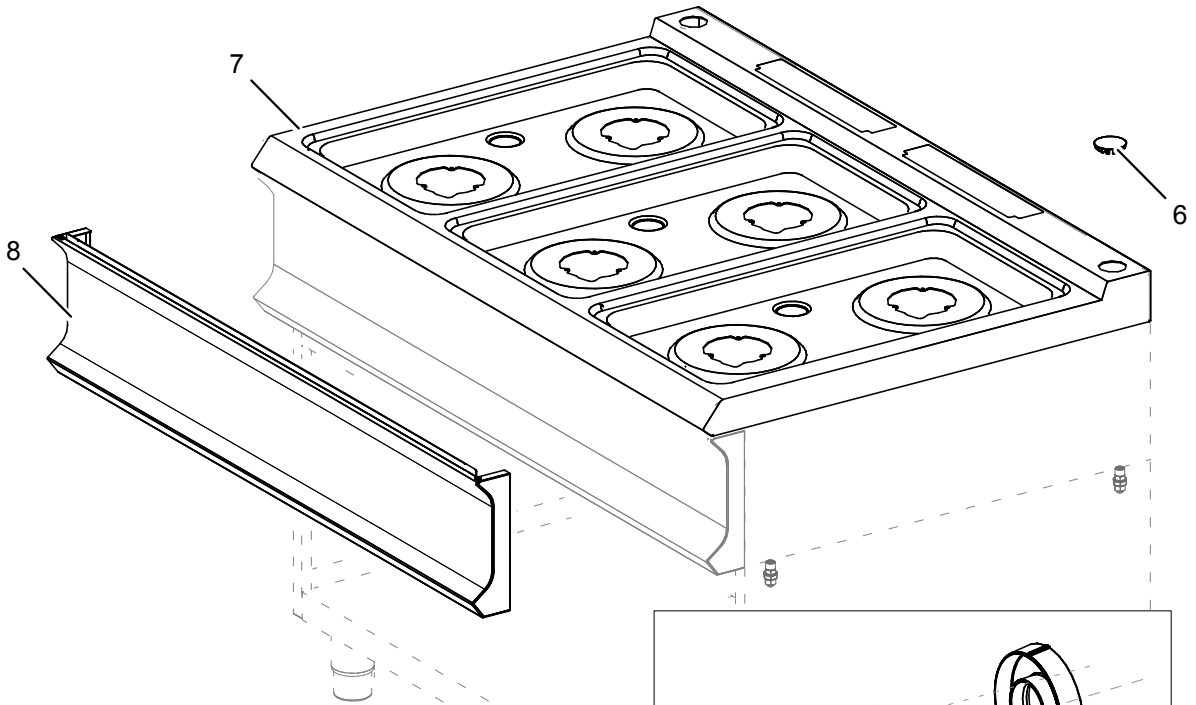
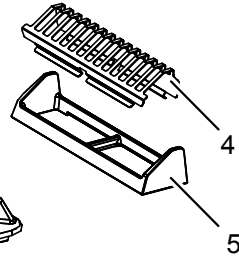
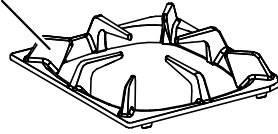
Die im vorliegenden Dokument aufgeführten Informationen und Bilder sind unverbindlich. Der Hersteller behält sich das Recht vor, jederzeit ohne vorherige Ankündigung Änderungen vorzunehmen

Info and drawing could be slightly different from reality and they cannot be considered as compelling. Manufacturer can modify info anytime without forewarning.

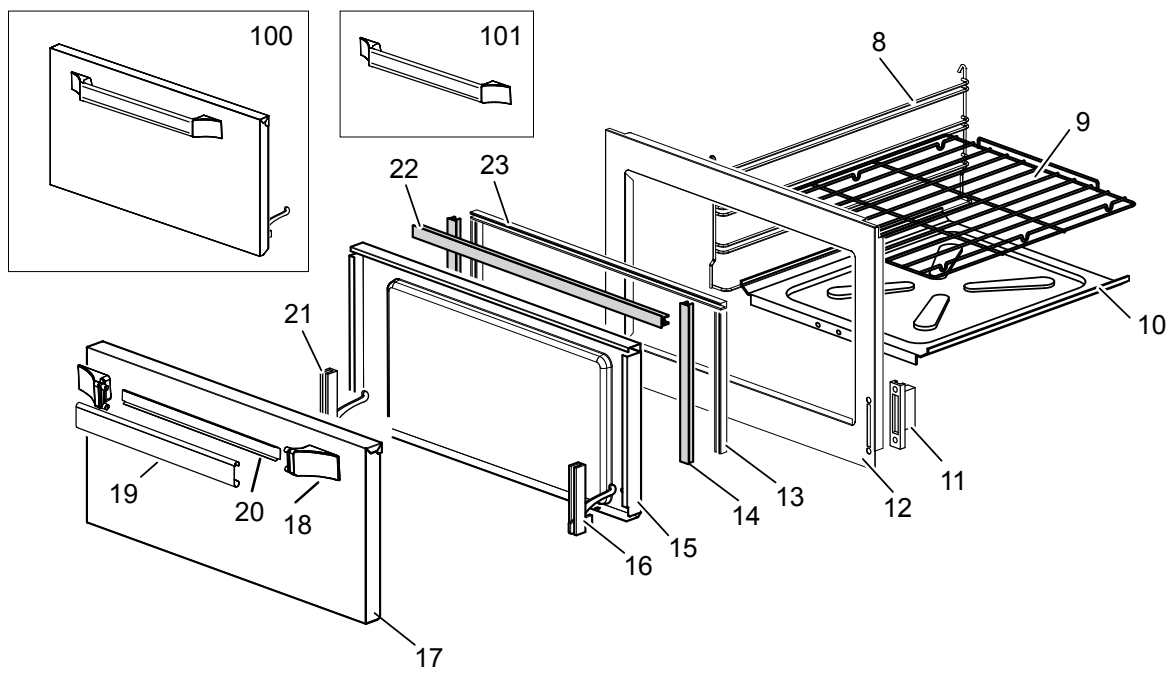
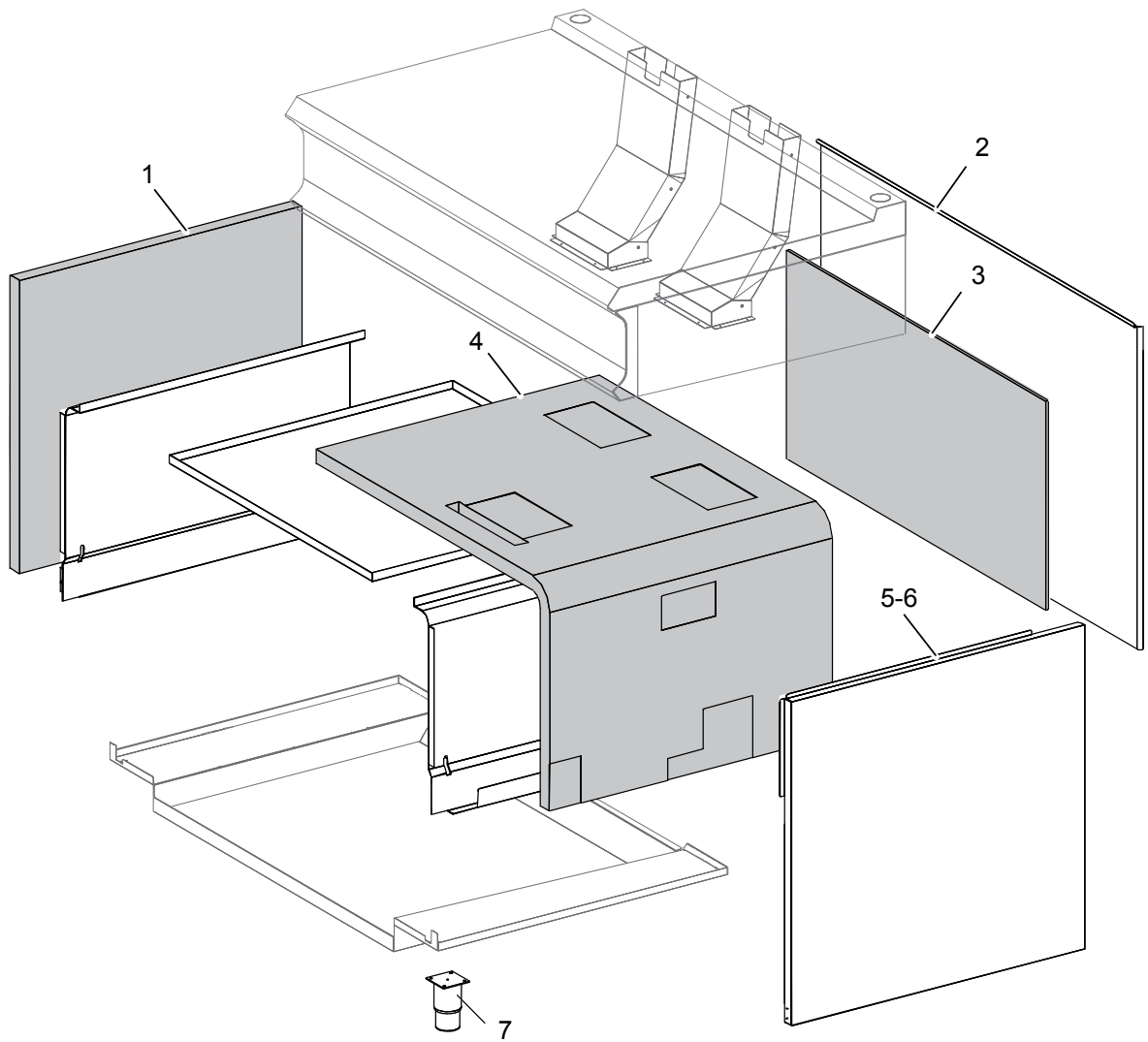
As Informações e desenhoS podem estar um pouco diferente da realidade e são puramente indicativas. O fabricante pode modificar estas informações a qualquer momento sem aviso prévio.



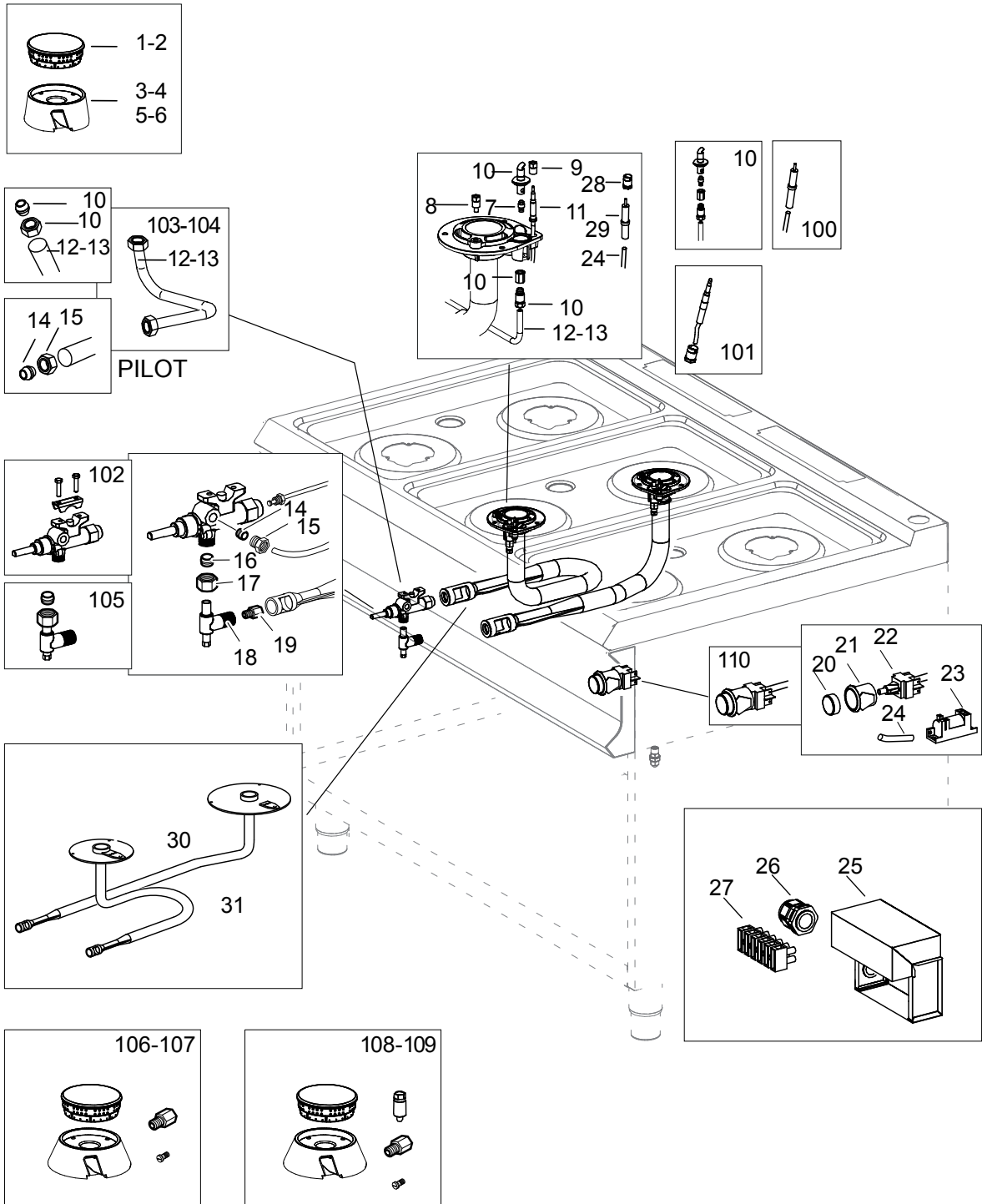
1-2-3



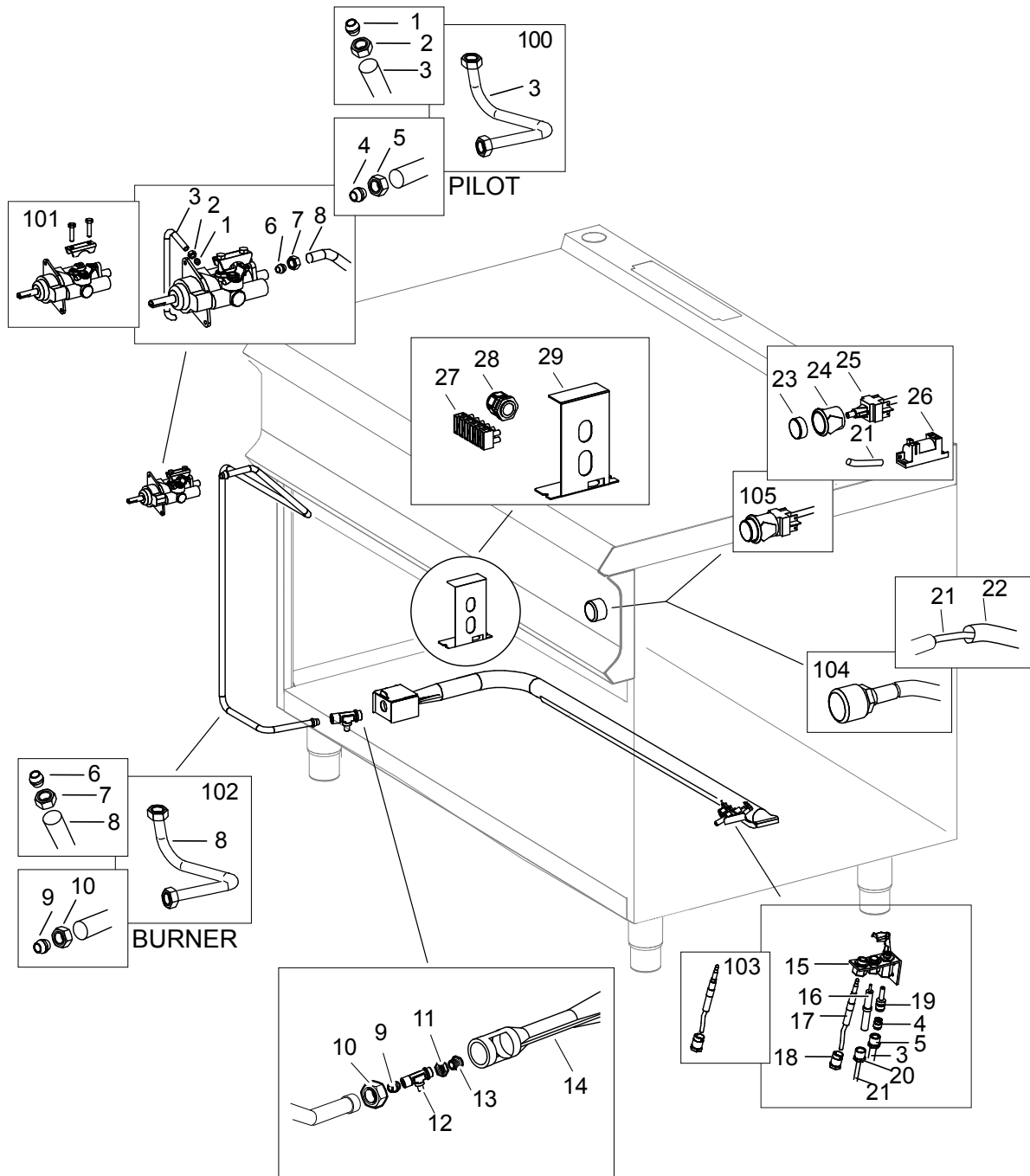
Nr.	Code	Title	Recommended
1.	RTCU700274	<i>BLACK ENAMELLED PAN GRID -MAGISTRA -</i>	
4.	202046	<i>CHIMNEY GRILL</i>	
6.	200787	<i>STOPPER</i>	
7.	202012	<i>WORK PLANE</i>	
8.	202256	<i>CONTROL PANEL</i>	
11.	202201	<i>BURNER KNOB</i>	
13.	200160	<i>KNOB RING</i>	
14.	200482	<i>OVEN RING</i>	
100.	ECS7035	<i>RECOMMENDED PARTS FOR FB711FGMXS</i>	



Nr.	Code	Title	Recommended
1.	166251	INSULATING PANEL LEFT	
2.	200397	BACK SIDE	
3.	168065	BACK INSULATION PANEL	
4.	168146	TOP INSULATION PANEL	
5.	200031	LATERAL SIDE RIGHT	
6.	200032	LATERAL SIDE LEFT	
7.	RTCU700277	FOOT	
8.	167992	OVEN'S LATERAL GUIDES	
9.	RTCU700057	OVEN GRATE	
10.	167977	OVEN PLATE	
11.	RTCU900004	OVEN DOOR HINGE ROLL HOLDER	
12.	200714	FRONT PANEL	
13.	184107	GASKET HOLDER	✓
14.	168139	LATERAL GASKET FOR OVEN DOOR	✓
15.	200882	OVEN INNER DOOR	
16.	RTCU900396	MAXI OVEN RIGHT HINGE DOOR	✓
17.	200881	OVEN DOOR	
18.	201706	HANDLE TERMINAL	
19.	202059	HANDLE	
21.	RTCU900397	MAXI OVEN LEFT HINGE DOOR	✓
22.	168140	UPPER GASKET FOR OVEN DOOR	✓
23.	184112	GASKET HOLDER	✓
100.	RIC0005127	OVEN DOOR COMPLETE	
101.	RIC0005128	HANDLE OVEN	



Nr.	Code	Title	Recommended
1.	185734	BURNER CAP 7 KW	✓
3.	200656	FLEX BURNER 5.5KW - 7KW	
7.	INIETTORE	SEE HANDBOOK NOZZLES	
9.	RTCU700391	THERMMOCOUPLE FIXING NUT M6	✓
10.	185732	PILOT BURNER FLEX 2.0	✓
11.	RTCU700374	THERMOCUOPLE 60CM WITH THREAD (RANGES)	✓
12.	200737	BACK BURNER PILOT PIPE	
13.	200738	FRONT BURNER PILOT PIPE	
14.	RTCU900019	NUT D.6 HEIGHT 10,5 MM.	
15.	RTCU900018	BICONE D.6 MM.6	
16.	RTCU900012	BICONE	
17.	RTCU700297	NUT D.10	
18.	173320	INJECTOR SUPPORT TOP	
19.	INIETTORE	SEE HANDBOOK NOZZLES	
30.	200196	BACK BURNER DISTRIBUTION PIPE	
31.	200197	FRONT BURNER DISTRIBUTION PIPE	
101.	RTCU700374-00	KIT THERMOCOUPLE	
102.	RIC0004953	KIT GAS TAP	✓
103.	RIC0004948	KIT FRONT PILOT PIPE FB77FEXSAE	
104.	RIC0004949	KIT REAR PILOT PIPE FB77FEXSAE	
105.	RIC0004951	KIT NOZZLE SUPPORT FB77FEXSAE	
106.	KFB55S	COMPLETE ENAMELED FLEX BURNER KIT 5,5KW	
107.	KFB70S	COMPLETE ENAMELLED FLEX BURNER KIT 7KW	



Nr.	Code	Title	Recommended
1.	RTCU900018	BICONE D.6 MM.6	
2.	RTCU900019	NUT D.6 HEIGHT 10,5 MM.	
3.	173397	OVEN PILOT PIPE	
4.	RTCU800183	BICONE D.6 MM.11	
5.	RTCU800182	NUT AC.D.6 BLACK HEIGHT 11 MM.	
11.	RTCU900005	LOCK NUT	
12.	RTCU900337	INJECTOR SUPPORT	
13.	INIETTORE	SEE HANDBOOK NOZZLES	
14.	167991	OVEN BURNER	✓
15.	RTCP800034	SIT 1 WAY PILOT BURNER (TARGET)	✓
16.	RTCP800033	IGNITION PLUG ROUND 7X44 LENGHT 58 MM	✓
17.	RTCU700374	THERMOCUOPLE 60CM WITH THREAD (RANGES)	✓
18.	RTCP800038	FIXING NUT FOR TARGET THERMOCOUPLE	✓
19.	INIETTORE	SEE HANDBOOK NOZZLES	
20.	RTCU900215	FIXING NUT SIT FOR SPARK ELECTRODES	✓
21.	RTCU700410	OVEN LIGHTING CABLE	
22.	168890	TRASPARENT SILICON PIPE	
100.	RIC0004979	KIT OVEN PILOT PIPE	
101.	RIC0004862	GAS THERMOSTAT	✓
102.	173396	FEEDING PIPE FOR BURNER	
103.	RTCU700374-00	KIT THERMOCOUPLE	