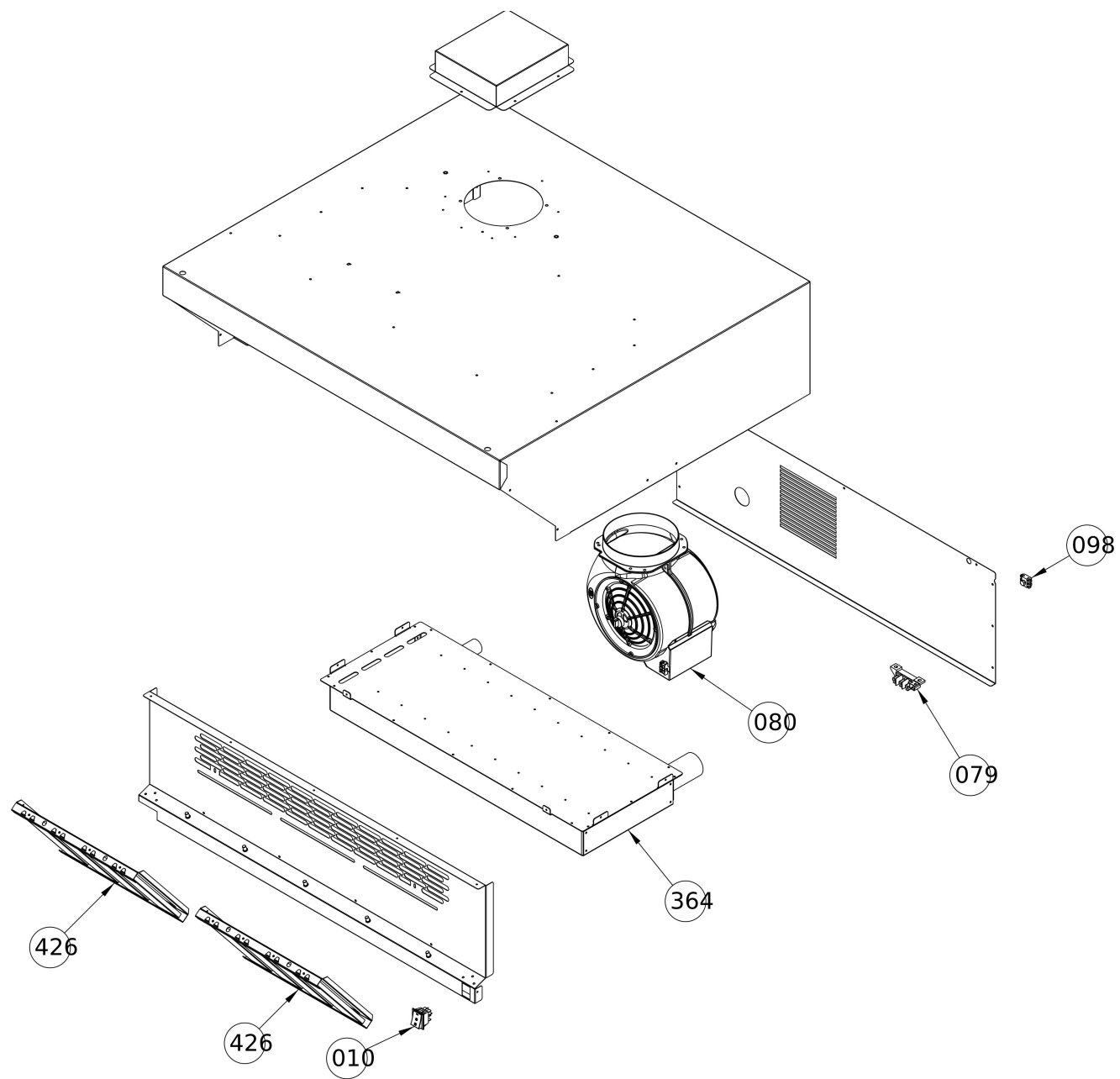


Apach  
COOK *line*



| #   | Code       | Description                            | Specification | UM | Qty |
|-----|------------|--|---------------|----|-----|
| 010 | 20PUL00010 | LIGHT SWITCH 3POS/6POLE 16A/250V       |               | pz | 1   |
| 079 | 020MOR0003 | TERMINAL BLOCK                         |               | pz | 1   |
| 080 | 20MOT00036 | CENTRIFUGAL MOTOR 220 50/60HZ 1000M3/H |               | pz | 1   |
| 098 | 020MOR0001 | TERMINAL BLOCK BRIDGE                  |               | pz | 1   |
| 364 | 85SCB00100 | POVEGLIA CONDENSATION BOX              |               | pz | 1   |
| 426 | 85PSR00050 | ASSY FRONT AIR VENT RH POSG            |               | pz | 2   |