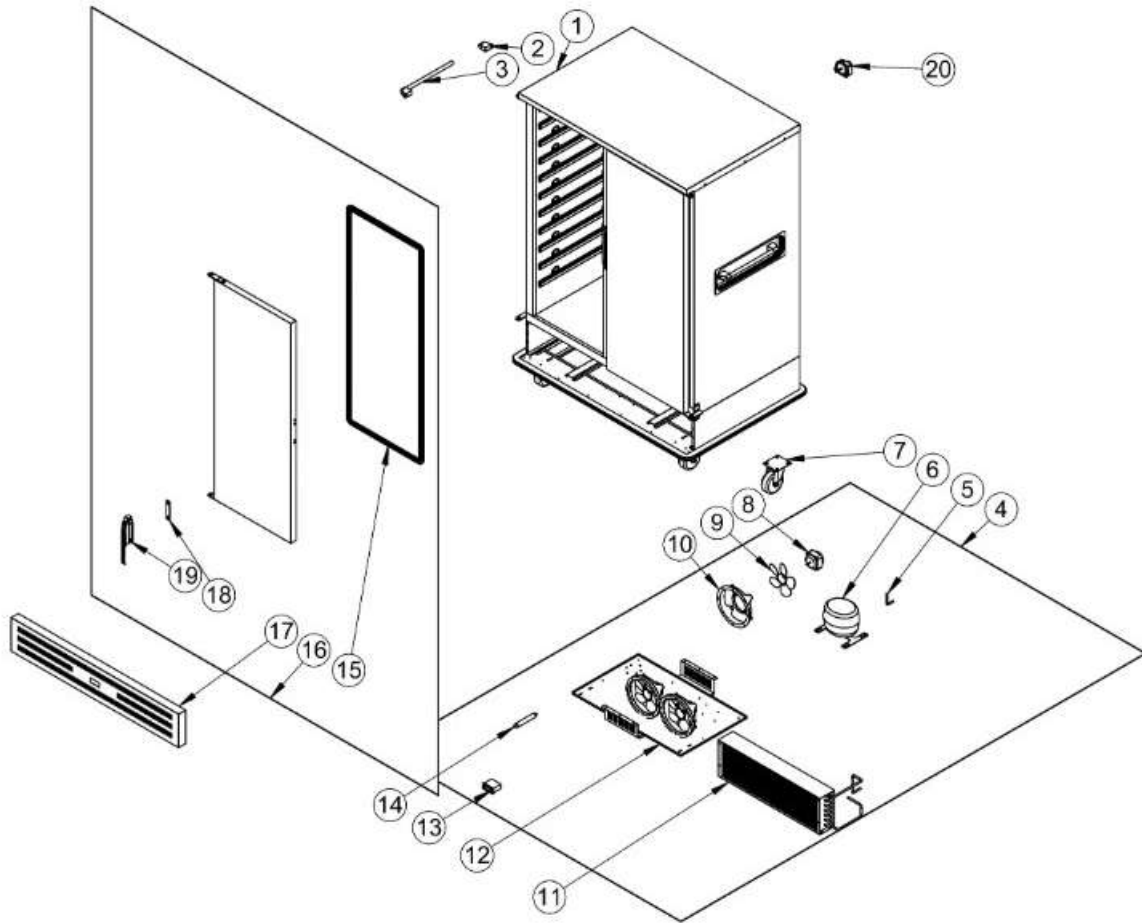


ТЕЛЕЖКА БАНКЕТНАЯ ХОЛОДИЛЬНАЯ TATRA ТВТ 2221 С



ТЕЛЕЖКА БАНКЕТНАЯ ХОЛОДИЛЬНАЯ ТАТРА ТВТ 2221 С

1	BODY	-	
2	HANDLE SIDE PART	M.ENJ-ERK-PLS-019	
3	HANDLE PIPE DIAMETER 20mm	YBR-ERK.BQ-KS-0001	
4	COOLING GROUP	ARA-ERK.BQ2-S-0001	
5	COPPER PIPE	HGZ-BR-BK-8*1	
6	COMPRESSOR	M.SOG-KMS-007	
7	WHEEL WITHOUT BRAKE	M.AKS-TKR-KS-002	
8	FAN MOTOR	ERK.M.ELK-MTR-FMT-002	
9	WING	M.ELK-HVL-FKN-002	
10	FAN CIRCLE PLASTIC	M.ENJ-ERK-PLS-001	
11	CONDENSER POSITIVE (+)	M.SOG-KDS-032	
12	ENGINE GROUP SHEET	YSC-ERK.1560-LZ-0039	
13	THERMOSTAT	M.ELK-EDM-DGT-043	
14	DRAZER	M.SOG-DRY-004	
15	GASKET	M.CNT-ERK-012	
16	COVER	ARA-ERK.BQ-0024	
17	FRONT COVER SHEET	YSC-ERK.BQ-PN-0230	
18	HANDLE NAIL EXTENSION SHEET	YSC-ERK.BQ-LZ-0046	
19	MAGNET LOCK	M.AKS-KLT-GNL	
20	FAN MOTOR	ERK.M.ELK-MTR-FMT-004	