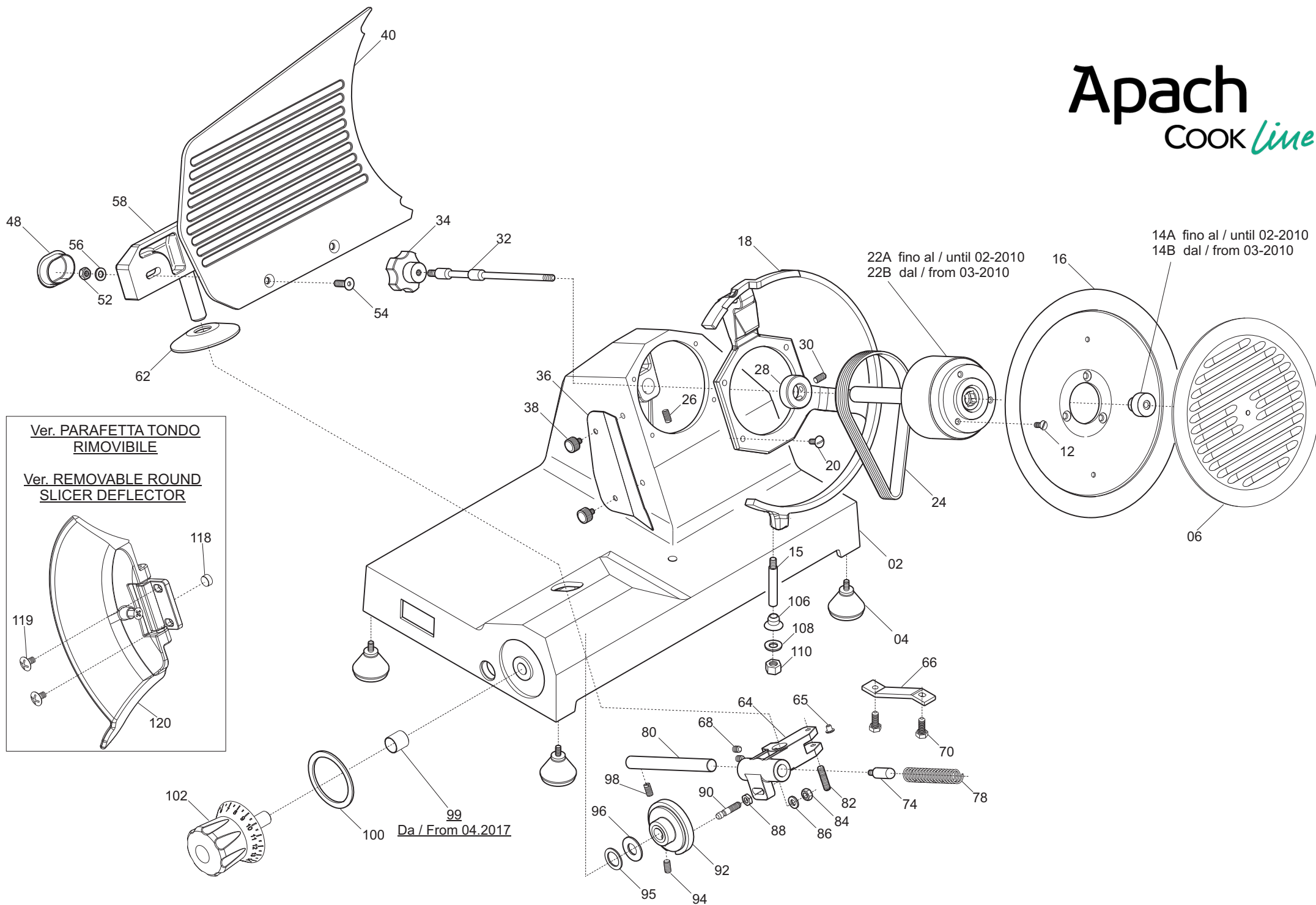


# Apach

COOK *Line*



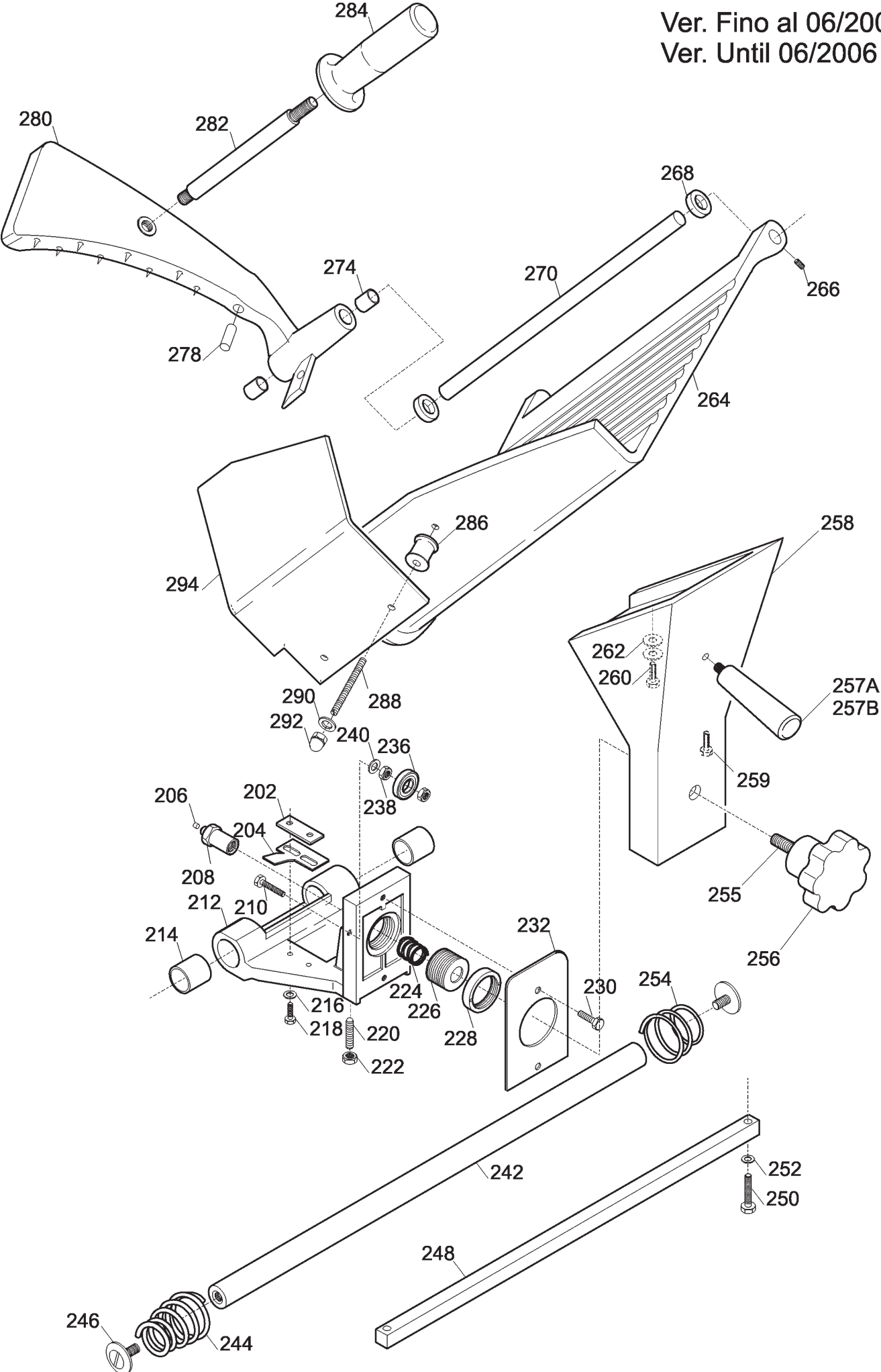
Ver. PARAFETTA TONDO RIMOVIBILE

Ver. REMOVABLE ROUND SLICER DEFLECTOR

Ref	Code	Name
2	19510101/01	BASE/FRAME FOR SLICER MIRRA 220-250
4	19560201	FOOT M5 FOR SLICER/CUTTER
6	19510251A	INT.BLADE COVER+STUD BOLT 250C
06A	00-OUT	FUORI PRODUZIONE-OUT OF PRODUCTION
12	IX2963005014	FLATHEAD CSK SCREW DIN 963 M5 X 14
14A	19530901.10	LOCK NUT CNV (MRR)
14B	19530911	HEX LOCK NUT MIRRA 250C FROM 2010
15	19534082	RING PIN _ MIRRA 250 C
16	18250403210F	BLADE 250 - 40/3/210 CE
16T	18250403210TF	BLADE 250 40/3/210 TEFLON CE
18	19513002/01	BLADE RING GUARD _ MIRRA 250 C
20	IX2POEL005012	SCREW POELIERS M 5X12
22A	00-OUT	FUORI PRODUZIONE-OUT OF PRODUCTION
22B	19700340.10	BLADE SHAFT _ MIRRA 220-300 Y10
24	19310201	BELT TB2 345 X 8
26	NE0916005008	GRUB SCREW DIN 916 M 5X8 NE
28	19540901	MICROSWITCH HOLDING RING _ MIRRA
30	IX2913006008	SCREW DIN913 M6X8 P.PN
32	19530532	BLADE COVER TIE ROD MIRRA 220-250
34A	19562502	BLACK KNOB M6X5
34B	19564016	TIE ROD KNOB M 6 BLUE _ MIRRA
36	19531005/01	S/S SLICE DEFLECTOR MIRRA 250 C
38	19335014	DEFLECTOR SCREW M5 _ AGS
40	195103025C.09	VELA MRR.250 STAMP.CE DAL 09 OSS.
48	19560132	SUPPORT CAP _ MIRRA 220-300
52	IX2934006	HEX.NUT DIN 934 M 6
54	19335060	FIXING SCREW _ MIRRA 220-250
56	IX29021006018	WASHER WIDE DIN 9021 D 6X18
58	19510701.18	GAUGE PLATE HOLDER _ MIRRA 220-250C
62	19563002	LARGE WASHER
64	19500101/01	GAUGE PLATE SLIDE _ MIRRA
65	19563201	MOVEMENT HEAD D8,5XHT2 FOR SLICER
66	19540601	SLIDE GUIDE _ MIRRA
68	NE0916006010	GRUB SCREW DIN 916 M 6X10 NE
70	IX2933005012	HEX HEAD SCREW DIN 933 M5X12
74	19531360	SPRING PIN _ MIRRA 220/50
78	19390201/02	SLIDE SPRING _ MIRRA 220-250
80	19530701	PLATE SLIDE PIN D12X122,5 _ MIRRA
82	19337032	BRASS STUD BOLT M6 X 17 _ AGS
84	IX2934006	HEX.NUT DIN 934 M 6
86	IX2125006	FLAT WASHER DIN 125 D 6
88	IX2439006	LOW HEX.NUT DIN 439 M 6
90	19336062/01	CAM PIN FOR MIRRA
92	19563505LG	CAM FOR MIRRA 220/275/300 CE
94	NE0916005008	GRUB SCREW DIN 916 M 5X8 NE
96	19342005	RONDELLA ONDULATA 12
98	NE0916005006	GRUB SCREW DIN 916 M5 X 6 NE
99	19324114	BOCCOLE AUTOLUBR.12.14.25
100	19562145	THICKNESS KNOB WASHER _ MIRRA

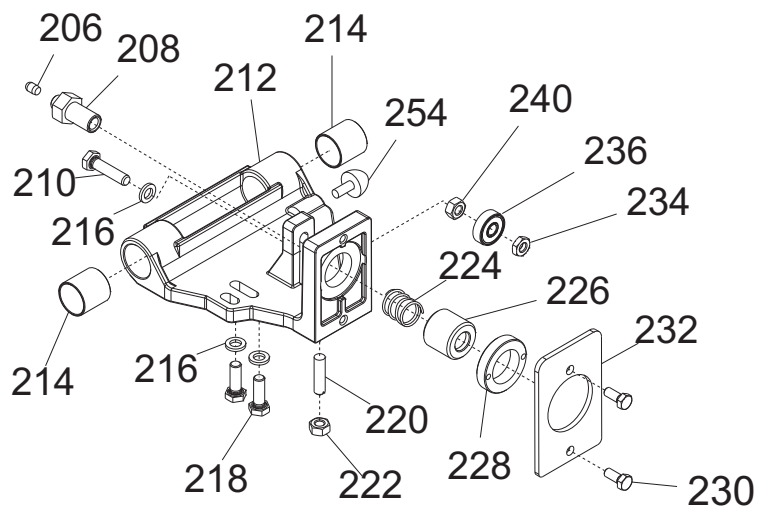
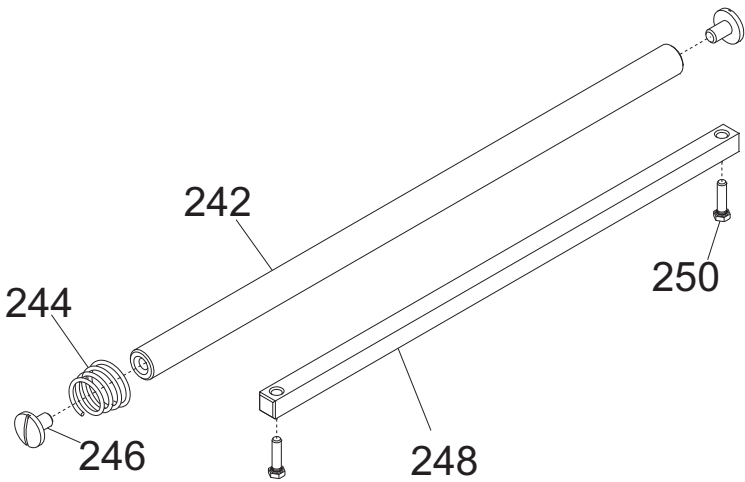
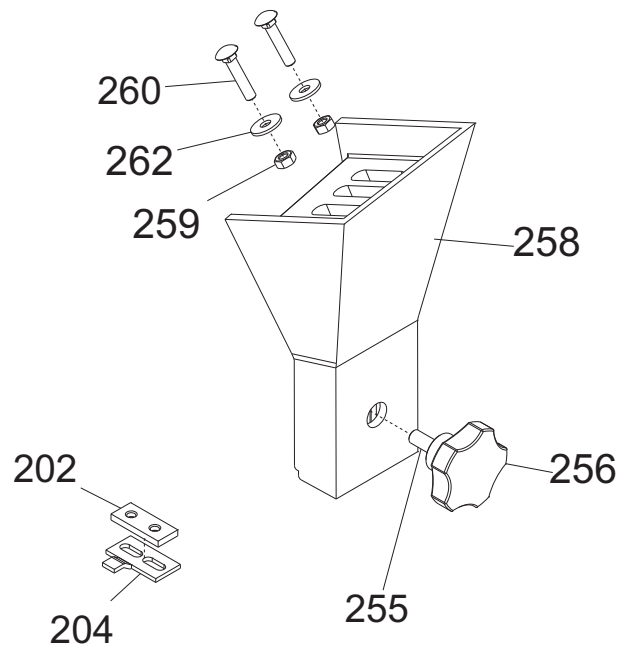
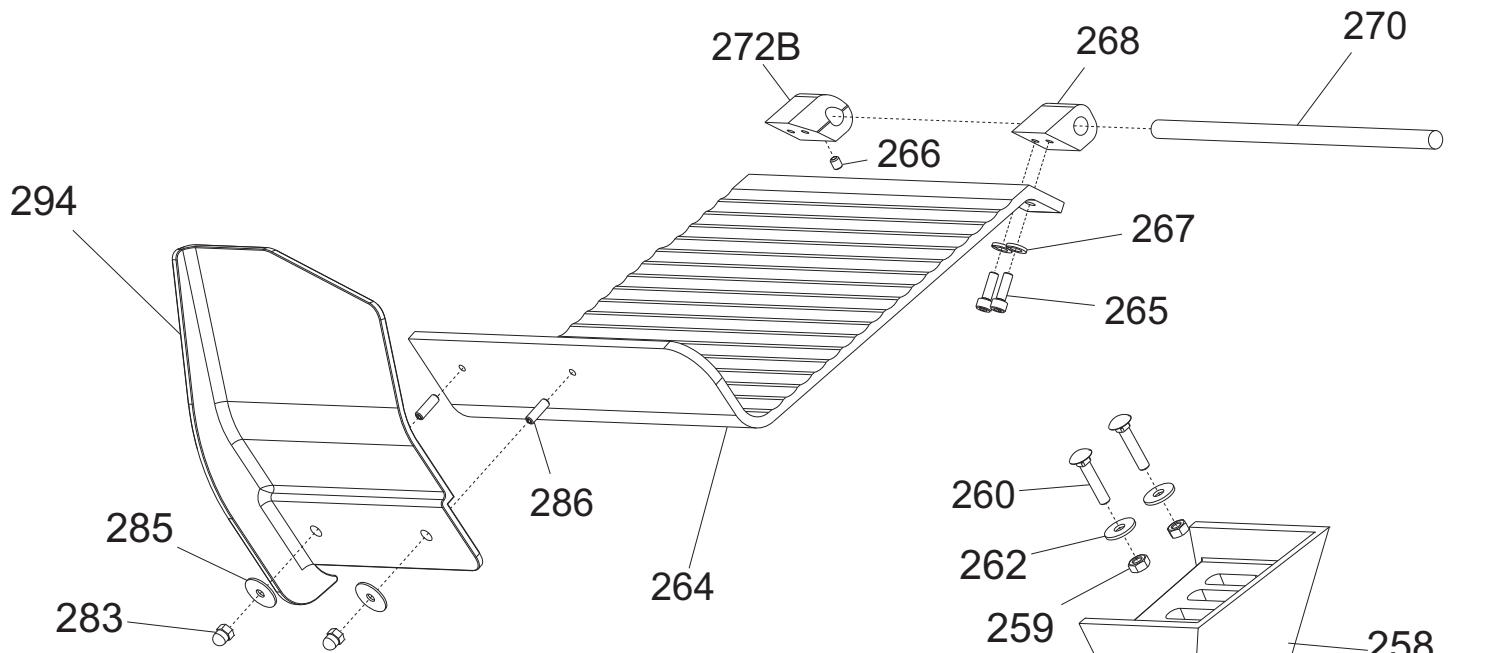
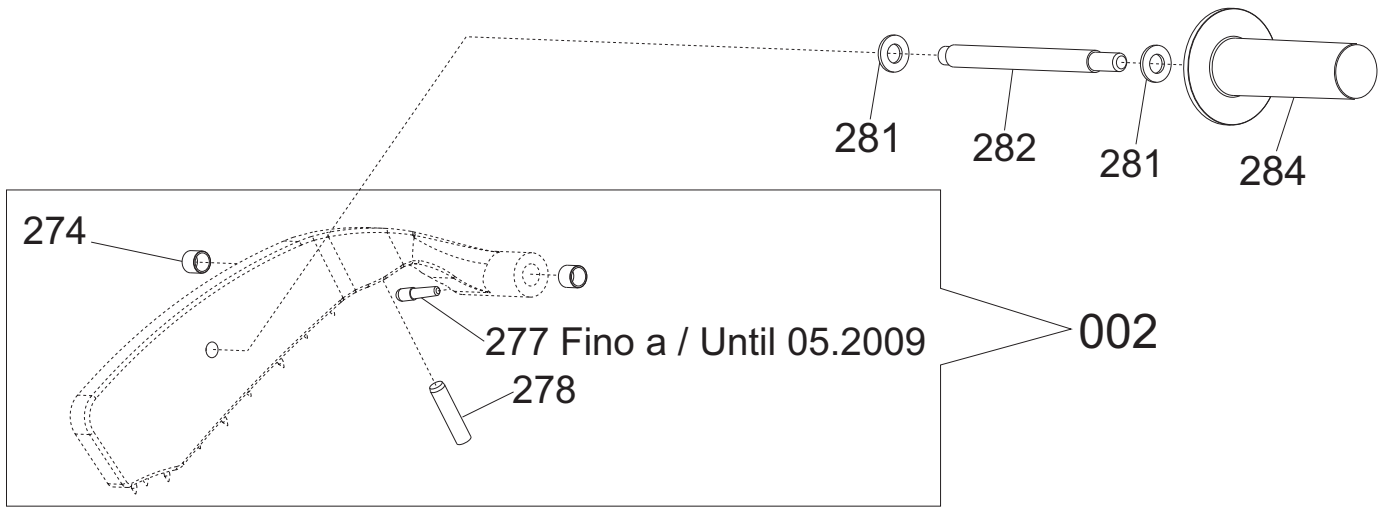
102 BL	19564020	THICKNESS KNOB BLUE_MIRRA
102 NR	19562403	NUMBERED KNOB
102 RS	195640032	DIAL KNOB P.12 RED_MIRRA
106	19534062	LOCK NUT
108	IX2125008	FLAT WASHER DIN 125 D 8
110	IX2934008	HEX.NUT DIN 934 M8
118	LF1010004	MAGNET FOR SO ANODIZED/GF/FR
119	IX27985005008	SCREW TC+ DIN 7985 M5X8
120	19700210	ASSIEME SUPP.STACCAF.MRR 250NEW

Ver. Fino al 06/2006  
Ver. Until 06/2006



Ref	Code	Name
202	19533200	THREADED RELEASE PLATE _ SLICER CE
204	19533210	CARRIAGE RELEASE PLATE _ MIRRA CE
206	19565001	RELEASE NEEDLE _ SLICER 300-385 CE
208	19534034	PIN _ SLICER 220-250 CE
210	IX2933006030	SCREW TE DIN 933 M 6X30 T.F.
212+214	19500516	CARRIAGE FOR SLICER
214	19324108	BUSHING 18.20.20
216	IX2125006	FLAT WASHER DIN 125 D 6
218	IX2933006022	SCREW TE DIN 933 M 6X22 T.F.
220	19337002	BRASS STUD BOLT 6X25
222	IX2934006	HEX.NUT DIN 934 M 6
224	19390600	RELEASE SPRING _ SLICER 220-250 CE
226	19534024	THREADED BUSH _ SLICER 220-250 CE
228	19534029	LOCKRING EXT._ SLICER 220-250 CE
230	IX2933005010	HEX.SCREW DIN 933 M5 X 10
232	19533001	PIASTRINA CARRELLO 220-250-300V CE
234	IX2439006	LOW HEX.NUT DIN 439 M 6
236	19320103	CARRIAGE BEARING 626 2RS R50 _MIRRA
238	IX2934006	HEX.NUT DIN 934 M 6
240	IX2125006	FLAT WASHER DIN 125 D 6
242	19530601	SLIDE ROUND BAR _ MIRRA
244	19390111	ROUND BAR SPRING D.18 AGS 220-250
246	19335001	ROUND BAR SCREW T.20 _MIRRA
248	19540101	SQUARE BAR _ AGS
250	IX2933005020	HEX.SCREW DIN 933 M5 X 20
254	19390101	ROUND BAR SPRING AGS 220-250
255	IX2913008030	HEADLESS SCREW DIN913 M8X30 CE
256 BL	19564013	BLADE GUARD TIE ROD KNOB M8 _ BLUE
256 NR	19562504	TIE ROD KNOB M8 5
256 RS	19564007	TIE ROD KNOB M8 5L RED
257A	19562900	MEAT PRESS KNOB - BLACK
257B	19564019.13	MEAT PRESS HANDLE BLUE _ MIRRA
258	19510616	GAMBO MRR CE OSSIDATO
260	IX2933006022	SCREW TE DIN 933 M 6X22 T.F.
262	IX29021006018	WASHER WIDE DIN 9021 D 6X18
264	00-OUT	FUORI PRODUZIONE-OUT OF PRODUCTION
266	NE0916005006	GRUB SCREW DIN 916 M5 X 6 NE
268	19324101	BUSHING 10.12.10
274	19324101	BUSHING 10.12.10
278	19563208	BUFFER D6,5X30 FOR AGS
280	19801233	MEAT PRESS ASSEMBLY SLICER CE
281	IX2125010	WASHER DIN 125 D 10
282	19541508	SPACER D12X150 _ AGS CE
284 BL	19564012	MEAT PRESS HANDLE - BLUE
284 NR	19562904BZ	MEAT PRESS HANDLE CE
284 RS	19564009	MEAT PUSHER HANDLE RED
286	19521601	SPACER D.20X15MM
288	19336003	STUD BOLT M5 X 30
290	IX29021005020	WASHER LARGE DIN 9021 D 5X20

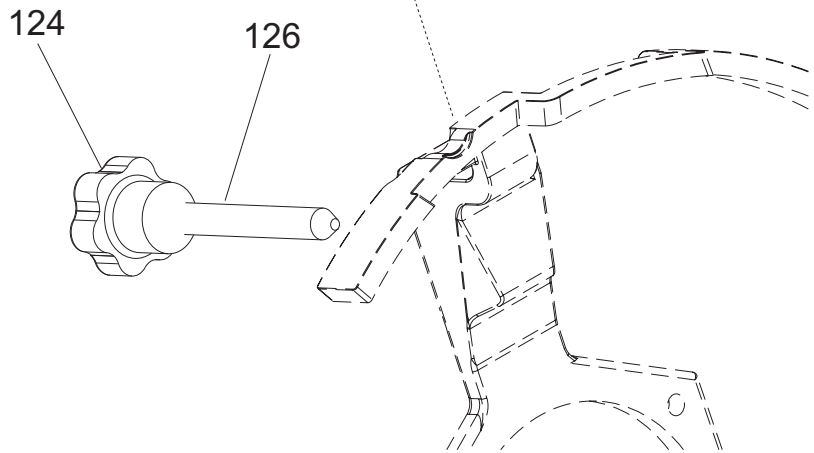
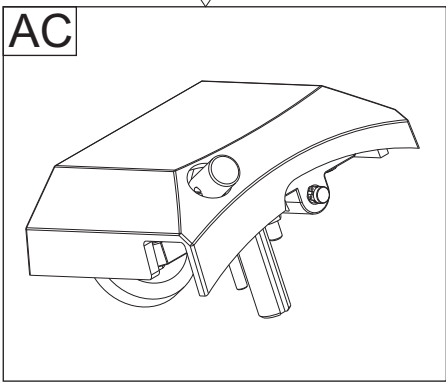
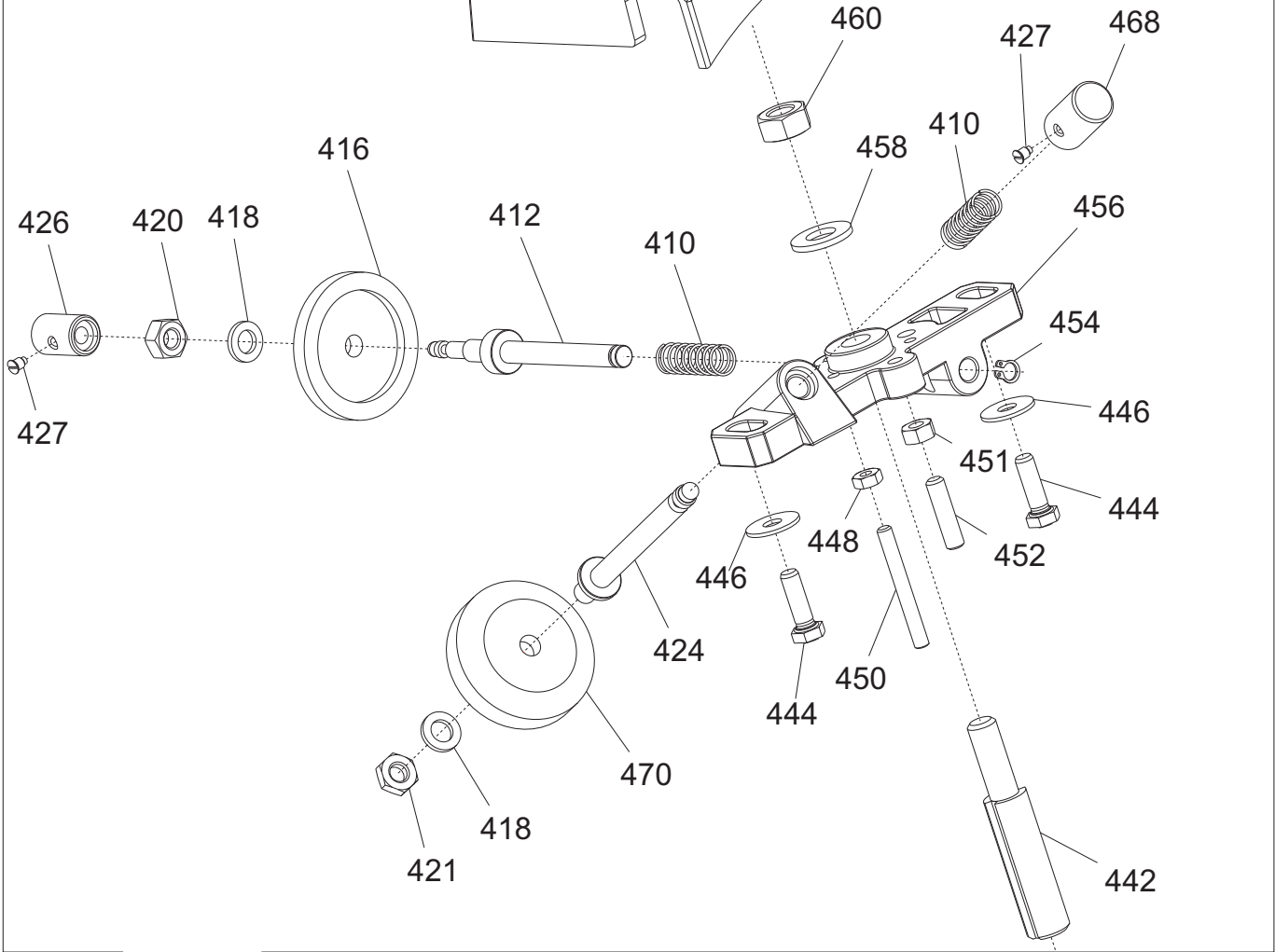
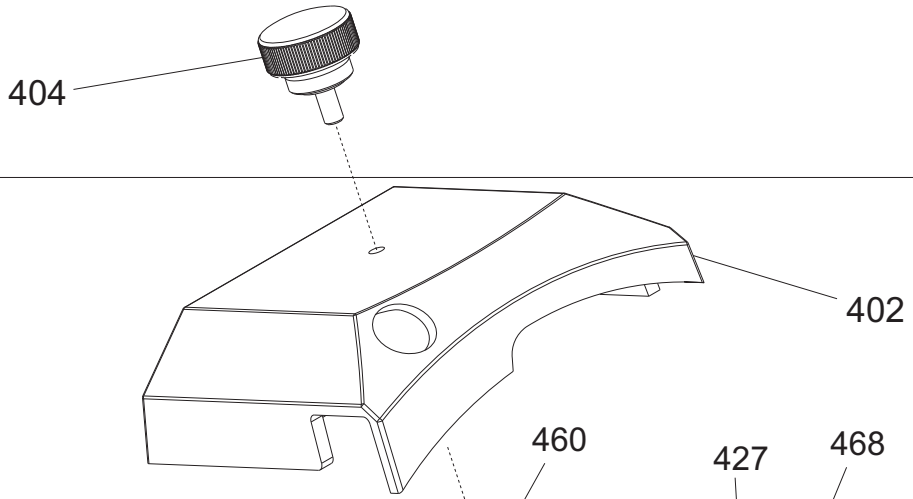
292	IX21587LC005	BLIND NUT DIN 1587 M5
294	19562322	HAND GUARD_AGS 220-250



Ref	Code	Name
2	19801233	MEAT PRESS ASSEMBLY SLICER CE
202	19533200	THREADED RELEASE PLATE _ SLICER CE
204	19533210	CARRIAGE RELEASE PLATE _ MIRRA CE
206	19565001	RELEASE NEEDLE _ SLICER 300-385 CE
208	19534034	PIN _ SLICER 220-250 CE
210	IX2933006030	SCREW TE DIN 933 M 6X30 T.F.
212+214	19500516	CARRIAGE FOR SLICER
214	19324108	BUSHING 18.20.20
216	IX2125006	FLAT WASHER DIN 125 D 6
218	IX2933006022	SCREW TE DIN 933 M 6X22 T.F.
220	19337002	BRASS STUD BOLT 6X25
222	IX2934006	HEX.NUT DIN 934 M 6
224	19390600	RELEASE SPRING _ SLICER 220-250 CE
226	19534024	THREADED BUSH _ SLICER 220-250 CE
228	19534029	LOCKRING EXT. _ SLICER 220-250 CE
230	IX2933005010	HEX.SCREW DIN 933 M5 X 10
232	19533001	PIASTRINA CARRELLO 220-250-300V CE
234	IX2439006	LOW HEX.NUT DIN 439 M 6
236	19320103	CARRIAGE BEARING 626 2RS R50 _ MIRRA
240	IX2934006	HEX.NUT DIN 934 M 6
242	19530601	SLIDE ROUND BAR _ MIRRA
244	19390111	ROUND BAR SPRING D.18 AGS 220-250
246	19335001	ROUND BAR SCREW T.20 _ MIRRA
248	19540101	SQUARE BAR _ AGS
250	IX2933005020	HEX.SCREW DIN 933 M5 X 20
254	19560170	CARRIAGE BUFFER M5X12 AGS 220-300
255	IX2913008030	HEADLESS SCREW DIN913 M8X30 CE
256 BL	19564013	BLADE GUARD TIE ROD KNOB M8 _ BLUE
256 NR	19562504	TIE ROD KNOB M8 5
256 RS	19564007	TIE ROD KNOB M8 5L RED
258	19510616	GAMBO MRR CE OSSIDATO
259	IX2934006	HEX.NUT DIN 934 M 6
260	19335042	SCREW, PRODUCT PLATE MIRRA 220-250
262	IX29021006018	WASHER WIDE DIN 9021 D 6X18
264	1,95E+16	PRODUCT PLATE _ MIRRA 250 C
265	IX2912005016	SCREW CYL.HEX. DIN 912 M 5X16
266	NE0916005006	GRUB SCREW DIN 916 M5 X 6 NE
267	IX21751006	GROWER WASHER UNI 1751 D.6
268	19525062	ROD BLOCK, STRAIGHT _ MIRRA Y06
270	19530402.06	MEAT PRESS ROD _ MRR 250 Y06/CANOVA25
272B	19525060.10	ROD BLOCK, INCLINED _ MIRRA Y10
274	19324101	BUSHING 10.12.10
277	19563213	MEAT PRESS INSERT
278	19563206	MEAT PRESS BUFFER D8,5XH36
281	IX2125010	WASHER DIN 125 D 10
282	19541508	SPACER D12X150 _ AGS CE
283	IX21587LC005	BLIND NUT DIN 1587 M5
284 BL	19564019.13	MEAT PRESS HANDLE BLUE _ MIRRA
284 NR	19562904BZ	MEAT PRESS HANDLE CE

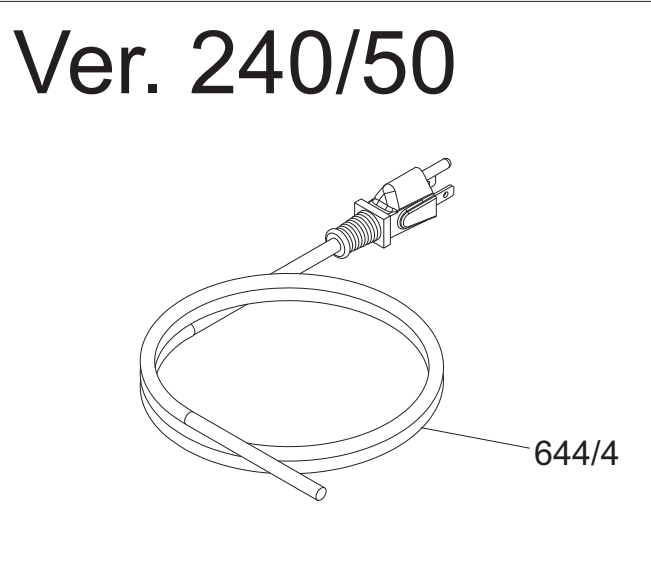
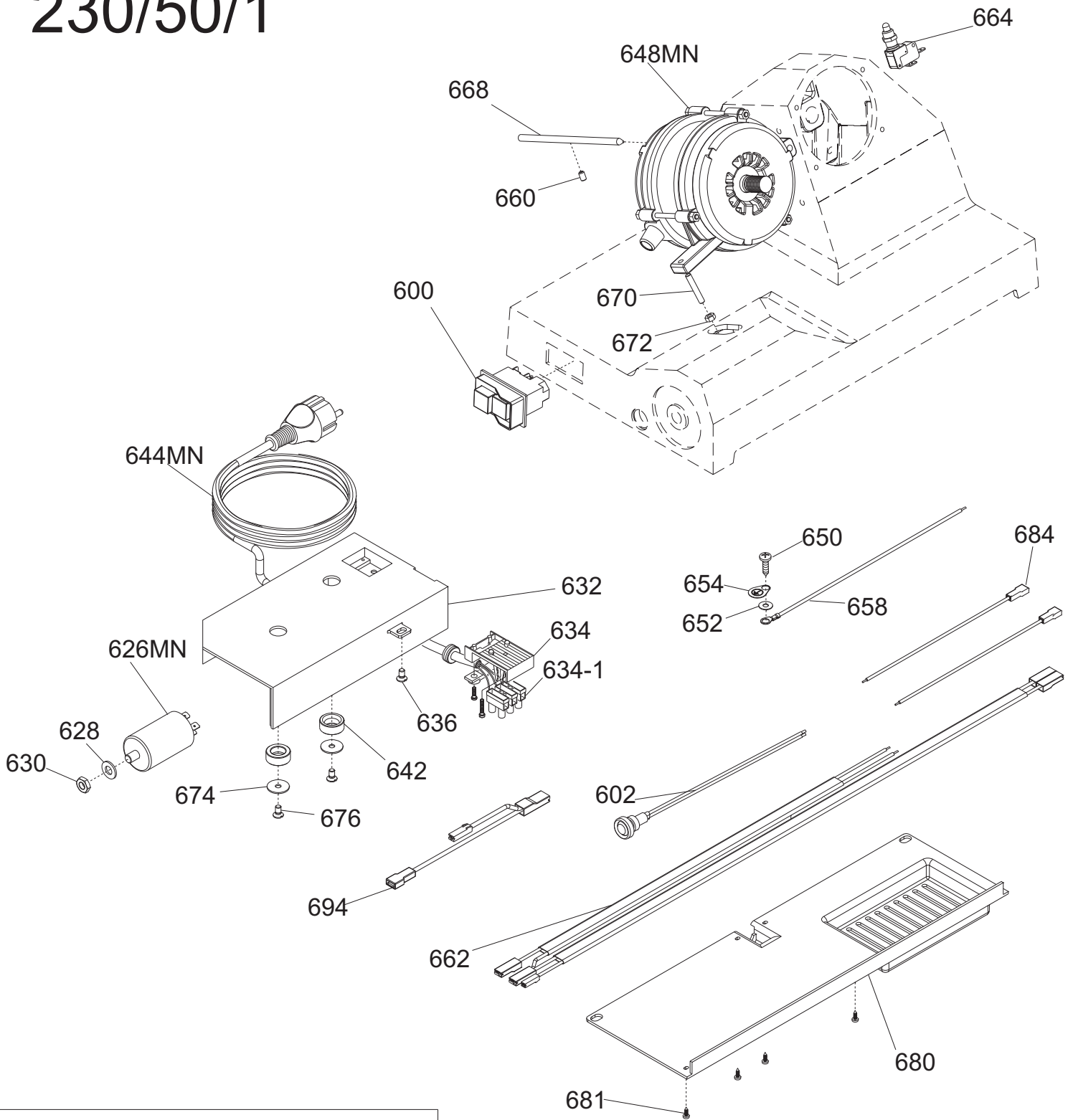


284 RS	19564009	MEAT PUSHER HANDLE RED
285	IX29021005020	WASHER LARGE DIN 9021 D 5X20
286	IX2913005016	GRUB SCREW DIN 913 M 5X16 CE
294	19562322.06	POLYC.HAND GUARD MRR 220-250_NEW



Ref	Code	Name
AC	19800032	SHARPENER ASS.Y MIRRA 250 C-300 VERT CE
124 BL	19564015	BLUE KNOB M8
124 NR	19562602	LOCKING KNOB M8
124 RS	19564008	SHARPENER LOCKING KNOB M8 6L RED
126	19336010	SHARPENER SUPPORT STUD BOLT L=75 MM
402	19511202C	SHARPENER COVER 220-250G 300SV CE
404 BL	19564018	KNOB M 5 BLUE
404 NR	19562701	SHARPENER KNOB M5
404 RS	19564005F	SHARPENER COVER KNOB M5 RED
410	19390303	SHARPENER SPRING _ SLICER 250-300
412	19540703	DEBURRING PIN _ SLICER 250-300
416	19300201	DEBURR.STONE D.40 H8 F6 (5 units)
418	IX2125006	FLAT WASHER DIN 125 D 6
420	IX2934006	HEX.NUT DIN 934 M 6
421	IX2439006	LOW HEX.NUT DIN 439 M 6
424	19540704	SHARPENING PIN _ SLICER 250-300
426	19550203	DEBURRING BUTTON _ SLICER 250-300
427	19335025	BUTTON LOCKING SCREW _ SLICER 250-370
442	19540432	PERNO COL.FR.MRR.250G/300V L=62,5
444	IX2933005016	HEX.SCREW DIN 933 M5 X 16
446	IX29021005015	PLAIN WASHER LARGE DIN 9021 D 5X15
448	IX2934004	HEX.NUT DIN 934 M 4
450	IX2913004035	GRUB SCREW DIN 913 M4 X 35 CE
451	IX2934005	HEX.NUT DIN 934 M 5
452	IX2913005020	GRUB SCREW DIN 913 M5 X 20 CE
454	IX2471006	ANELLI D'ARRESTO DIN 471 D 06E
456	19021332	CORPO AF.220-300 MRR VERT LAV
458	IX2125008	FLAT WASHER DIN 125 D 8
460	IX2934008	HEX.NUT DIN 934 M8
468	19550202	SHARPENING BUTTON _ SLICER 250-300
470	19300101	SHARPENING STONE D40 H11 F6

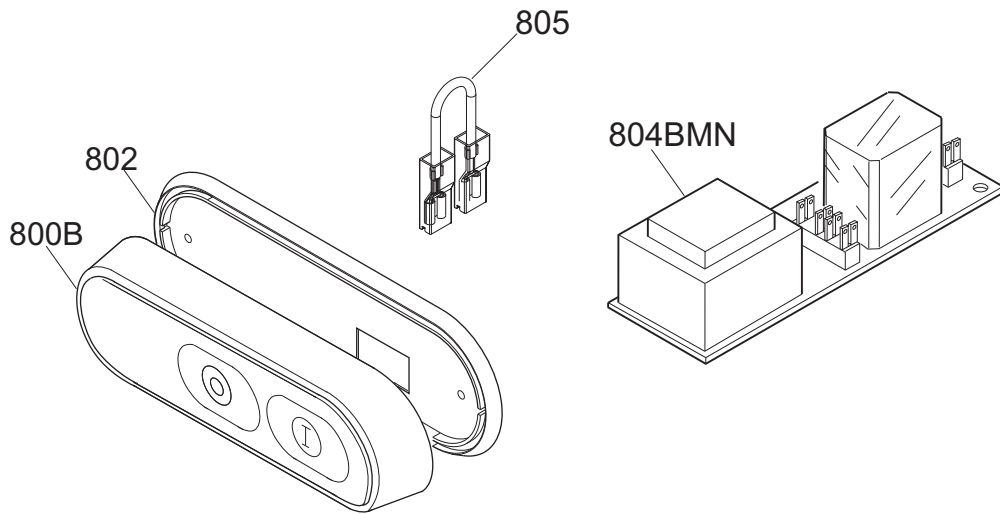
# Ver. 1-PHASE 230/50/1



Ref	Code	Name
600	19410152	ON/OFF SWITCH 230 V
602	19410406	SPIA UNIFICATA 220-380 VOLT
626MN	19410301	CAPACITOR 8B $\mu$ F CODOLO M8
628	IX2125008	FLAT WASHER DIN 125 D 8
630	IX2439008	LOW HEX.NUT DIN 439 M8
632	19563125	RELAY HOUSING 11-04-97 _ AGS
634	19410820	SUB-TERMINAL PA 228
634-1	19410822	TERMINAL BLOCK 3 POLES 27
636	IX284005010	SCREW TC-DIN 84 M 5X10
642	19561500	HOUSING SPACER RING
644/4	19410504	UK POWER CORD SINGLE PHASE
644MN	19410502	SUPPLY CORD SINGLE-PHASE SHUKO""
648MN	19403042	MOTOR 230/50 P.40 _ MIRRA
650	IX279813.5009.5	SELF-TAPPING SCREW DIN 7981 D 3,5X9,5
652	IX26798A004	WASHER DIN 6798-A D 4E
654	19420177	GROUND LABEL
656	IX2934005	HEX.NUT DIN 934 M 5
658	19410738	GROUND CABLE UL _ MIRRA 220-250
660	NE0916005006	GRUB SCREW DIN 916 M5 X 6 NE
662	19410711	CAVET.ALIM MRR TUV
664	19410201	MICROSWITCH SINGLE-PHASE
668	19540501	S/S MOTOR ROD _ MIRRA
670	IX2913005030	GRUB SCREW DIN 913 M 5X30 CE
672	IX2934005	HEX.NUT DIN 934 M 5
674	IX29021005020	WASHER LARGE DIN 9021 D 5X20
676	IX284005010	SCREW TC-DIN 84 M 5X10
680	19563151	BOTTOM COVER _ AGS 220-250
681	IX279812.9009.5	SELF-TAP. SCREW TC+ DIN 7981 D 2,9X9,5
684	19410750	INDICATOR LIGHT CABLE
694	19410760	CAVETTO PROLUNGA TC 12 DNV

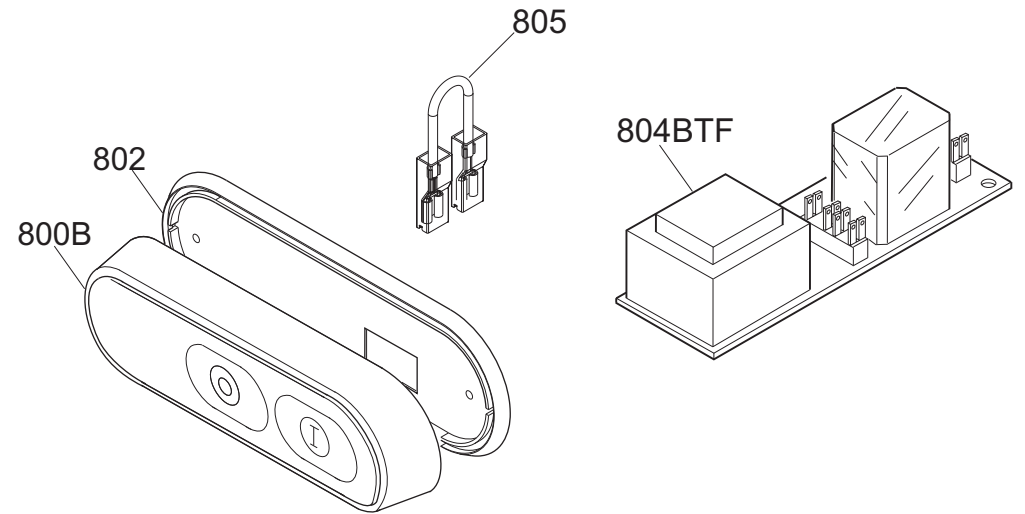
## Ver. 1-PHASE

Da / From 12.2018

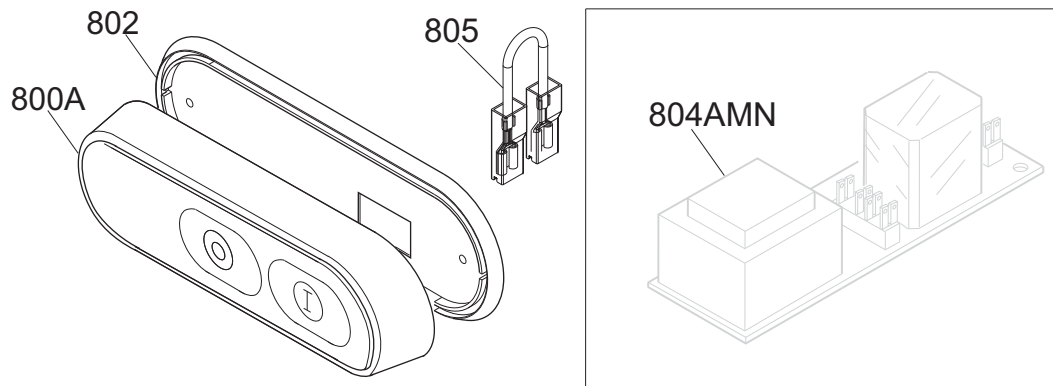


## Ver. 3-PHASE

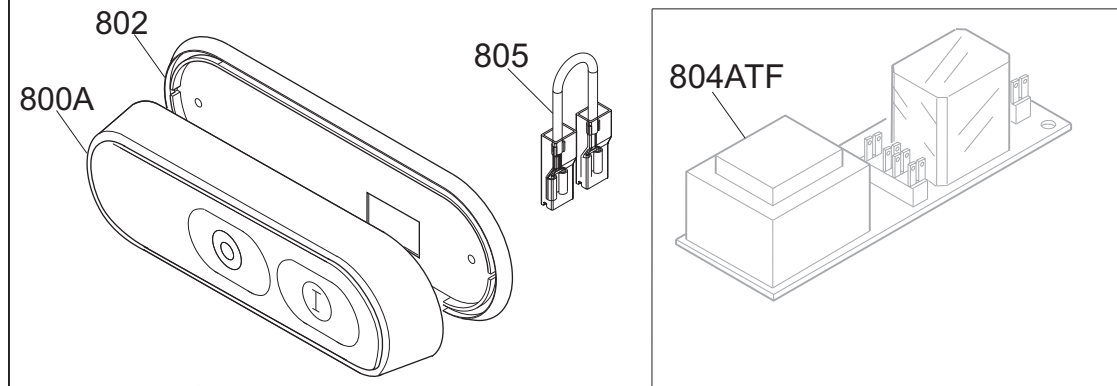
Da / From 12.2018



Fino a / Until 11.2018



Fino a / Until 11.2018



**RIF. 804AMN FUORI PRODUZIONE**  
**ORDINARE RIF. 800B+804BMN**

**REF. 804AMN NO MORE AVAILABLE**  
**PLEASE ORDER REF. 800B+804BMN**

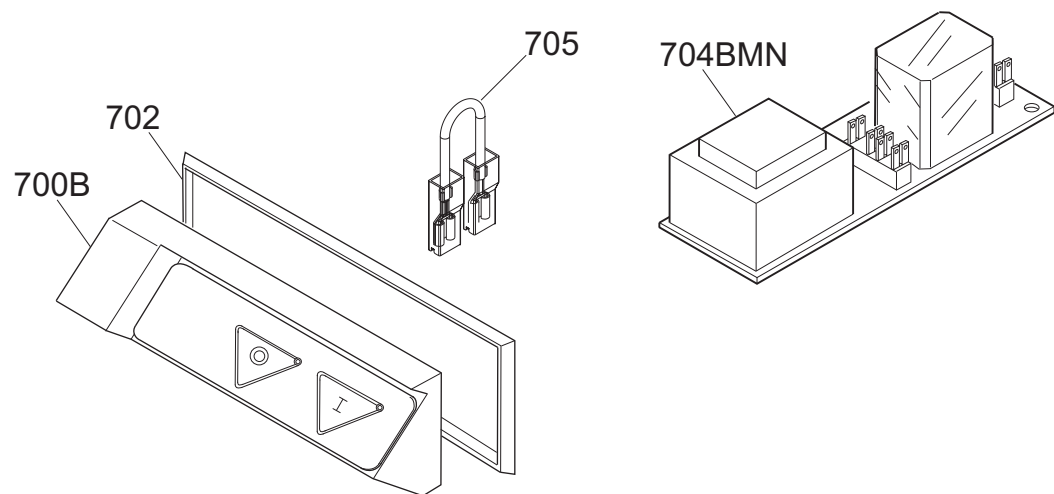
**RIF. 804ATF FUORI PRODUZIONE**  
**ORDINARE RIF. 800B+804BTF**

**REF. 804ATF NO MORE AVAILABLE**  
**PLEASE ORDER REF. 800B+804BTF**

Ref	Code	Name
800B BN	19702022.18	CORPO PUL.BIANCA NEUTRA MONTATA Y18
800B NR	19702004.18	PUSH-BUTTON PANEL, ROUNDED Y18
802	19563034	GASKET FOR ROUND CONTROL PANEL
804BMN	19411007.18	PCB TUV Y18 230/50/1
804BTF	19411008.18	PC BOARD 220-380 3-PHASE Y18
805	19410742	WIRE FOR BRIDGE PCB SID.UL

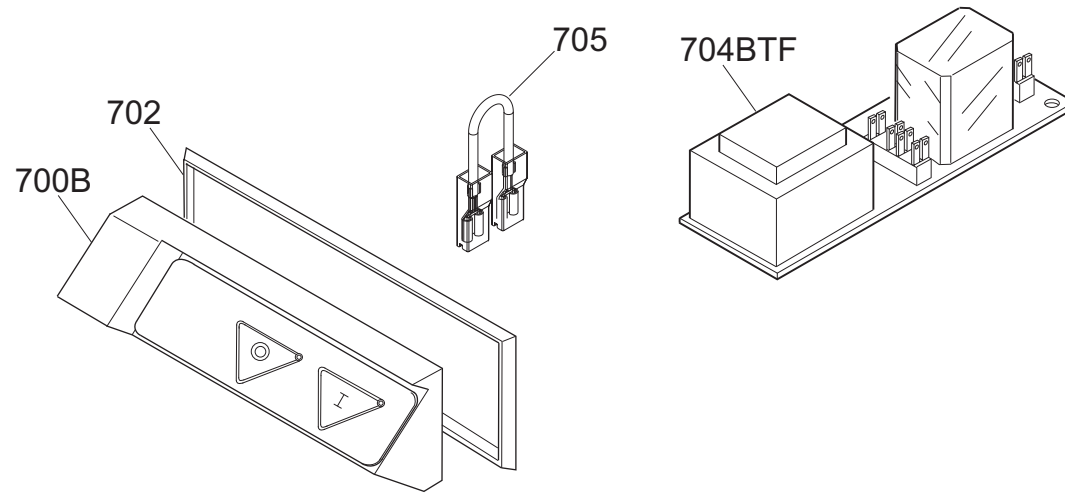
## Ver. 1-PHASE

Da / From 12.2018

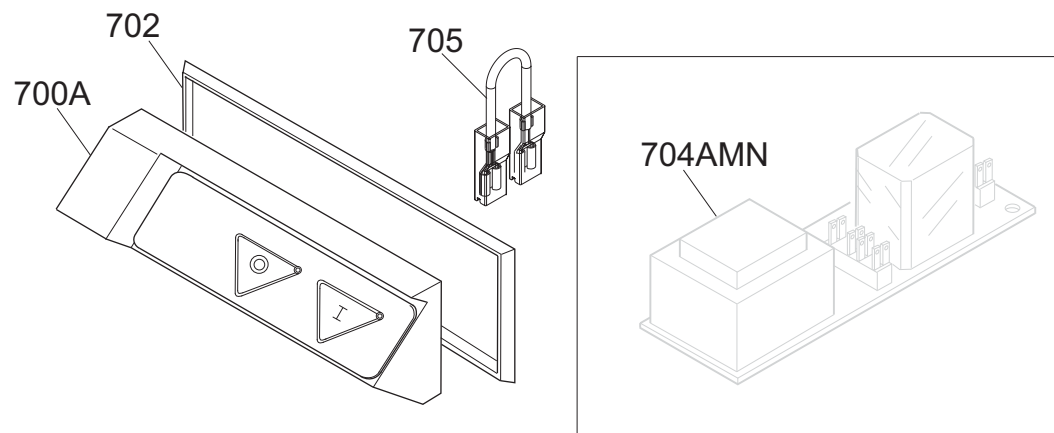


## Ver. 3-PHASE

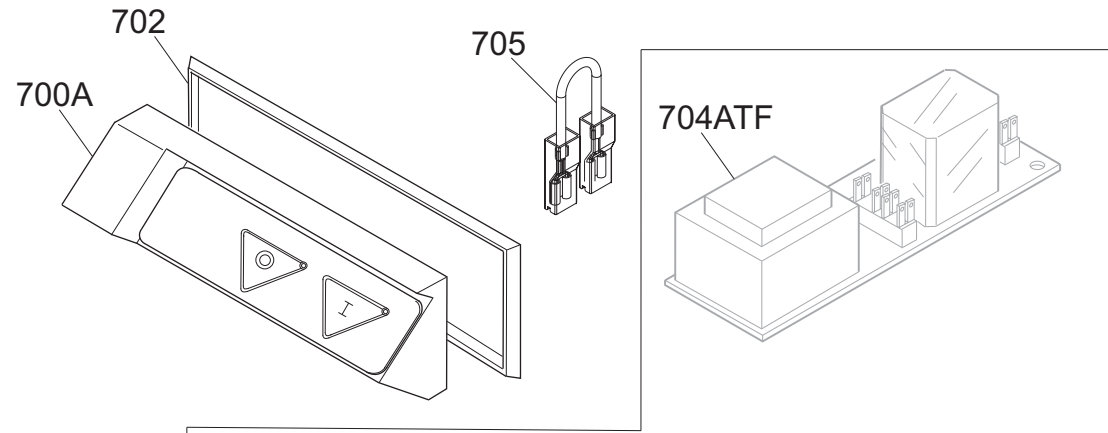
Da / From 12.2018



Fino a / Until 11.2018



Fino a / Until 11.2018



**RIF. 704AMN FUORI PRODUZIONE**  
**ORDINARE RIF. 700B+704BMN**

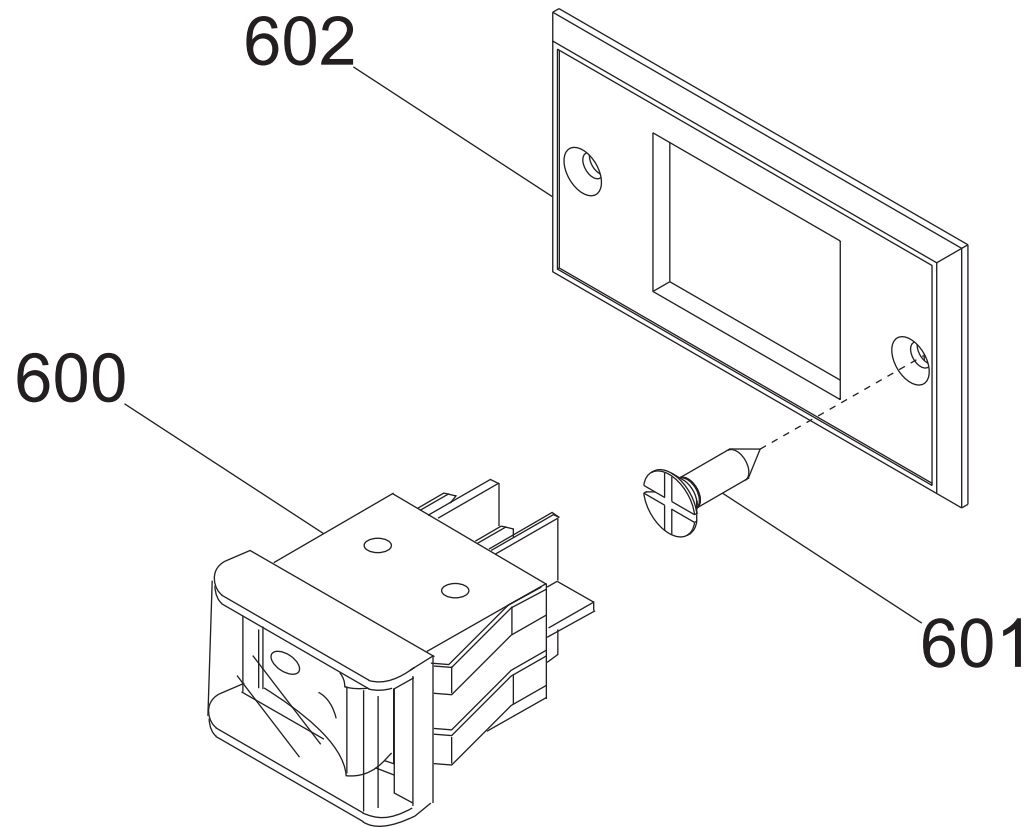
**REF. 704AMN NO MORE AVAILABLE**  
**PLEASE ORDER REF. 700B+704BMN**

**RIF. 704ATF FUORI PRODUZIONE**  
**ORDINARE RIF. 700B+704BTF**

**REF. 704ATF NO MORE AVAILABLE**  
**PLEASE ORDER REF. 700B+704BTF**

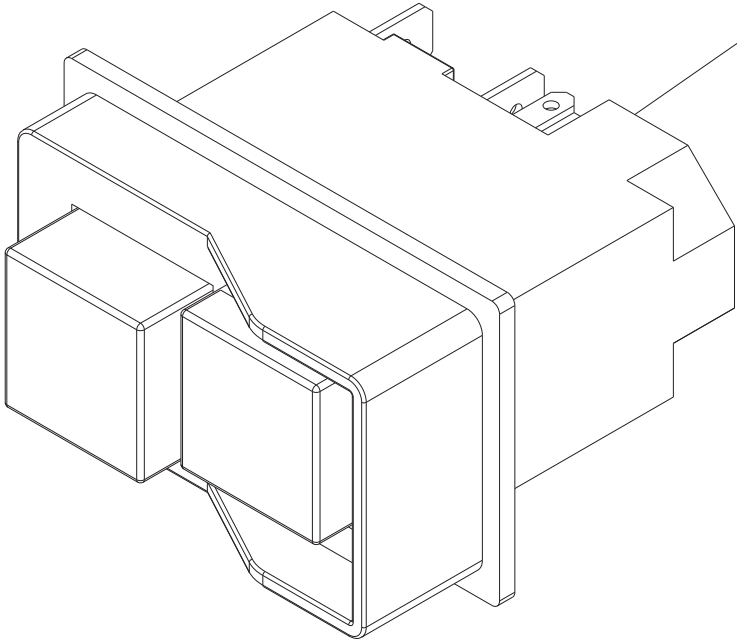


Ref	Code	Name
700A	19702000	PUSH-BUTTON PANEL SMALL""
700B	19702000.18	PUSH-BUTTON PANEL, SMALL, Y18
702	19563030	GASKET FOR SMALL CONTROL PANEL
704BMN	19411007.18	PCB TUV Y18 230/50/1
704BTF	19411008.18	PC BOARD 220-380 3-PHASE Y18
705	19410742	WIRE FOR BRIDGE PCB SID.UL

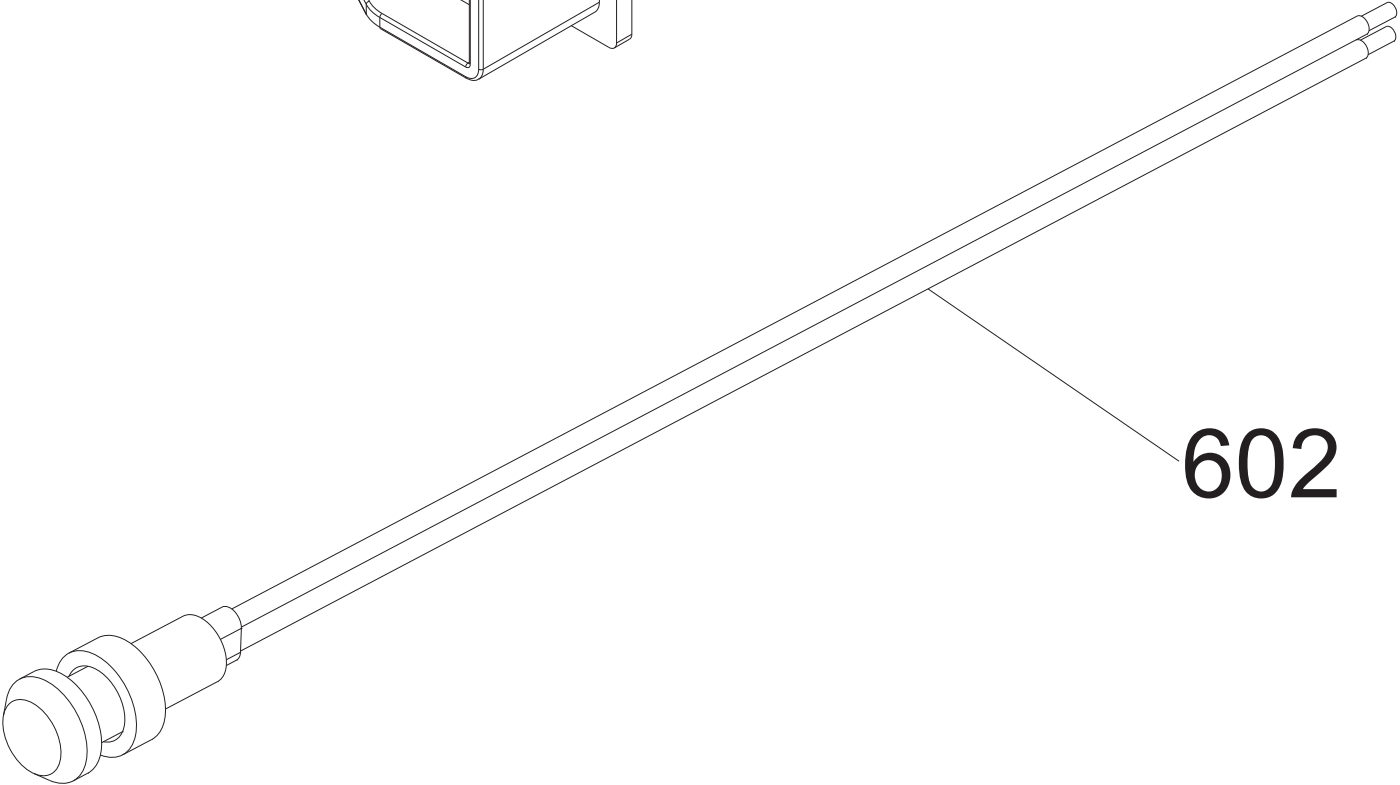


Ref	Code	Name
600	19410102	ON/OFF SWITCH COMELUX 401/L
601	IX279812.9009.5	SELF-TAP. SCREW TC+ DIN 7981 D 2,9X9,5
602	19563171	SWITCH FRAME FOR SLICER MRR

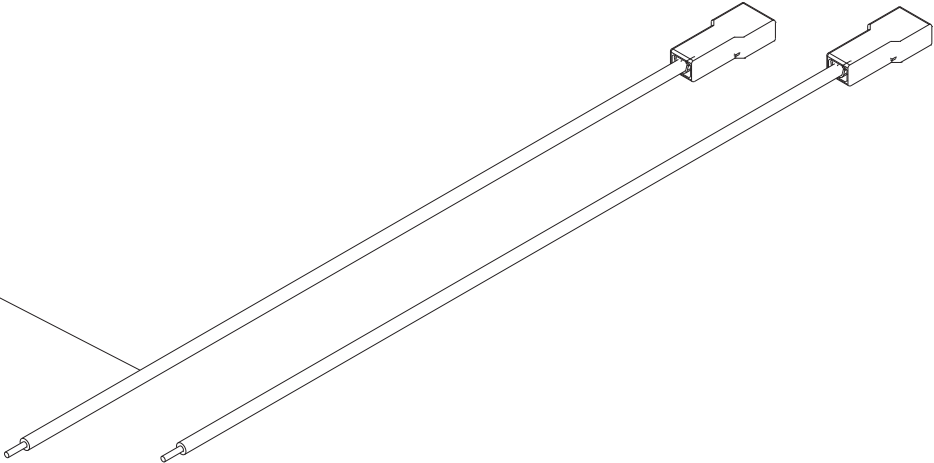
600



602



603



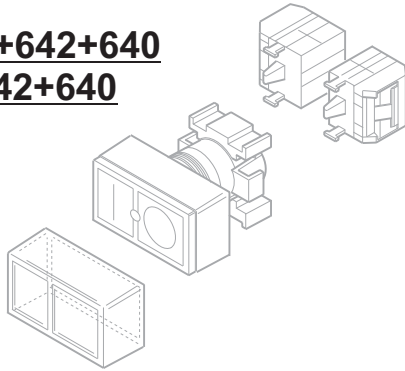
Ref	Code	Name
600-230V	19410152	ON/OFF SWITCH 230 V
600-380V	19410153	INTERRUTTORE + BOBINA V.380 TF
602	19410406	380/220V PILOT LAMP
603	19410750	INDICATOR LIGHT CABLE

## Fino a / Until 2005

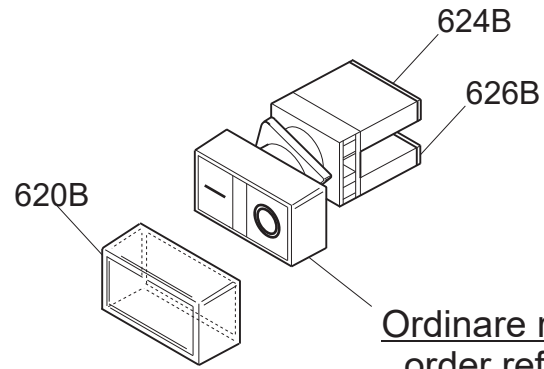
Fuori produzione/Out of production

**Ordinare Rif. 644+642+640**

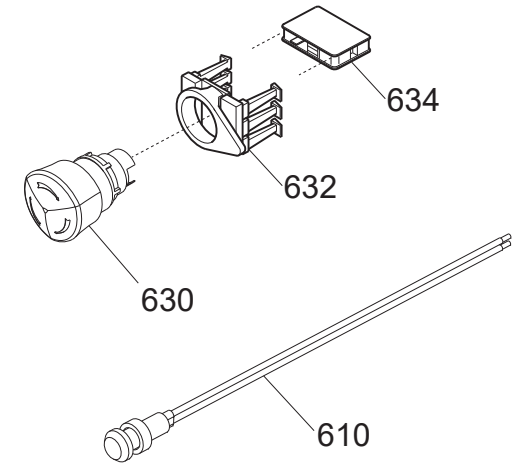
**Order Ref. 644+642+640**



## Da / From 2006

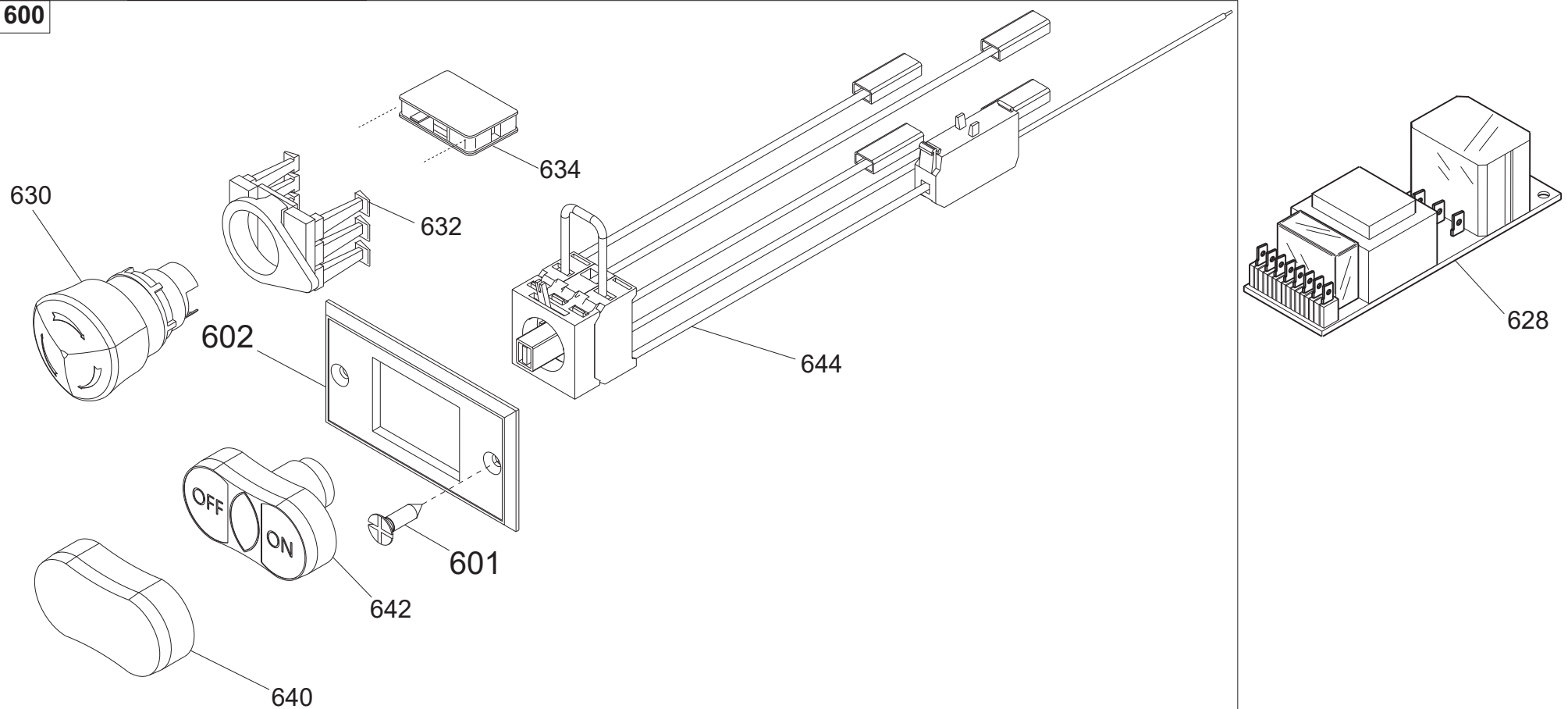


**Ordinare rif. 642+644**  
**order ref. 642+644**



## From 2018.06

600



Ref	Code	Name
600	19410717.17	CABL.ALIM'AF'COM.PULS.0-1 Y17
601	IX279812.9009.5	SELF-TAP. SCREW TC+ DIN 7981 D 2,9X9,5
602	19563173	FRAME, SWITCH COMELUX
610	19410406	380/220V PILOT LAMP
620B	00-OUT	FUORI PRODUZIONE-OUT OF PRODUCTION
624B	19410110.06	RED SWITCH PART
626B	19410111.06	GREEN SWITCH PART
628	19411000.12	PCB LED SID 230/400
628 24V	19411014	SCHEDA TAGLIORETTI 24 V
628B	19411000.12	PCB LED SID 230/400
630	19410148.07	EMERGENCY RED BUTTON
632	19410149.07	HOLDER FOR EMERGENCY BUTTON
634	19410147.07	CONTACT FOR EMERGENCY BUTTON
640	19563107.17	PROTEZIONE INTERR. BPPD
642	19410115.17	ON OFF PUSH BUTTON - BP2LSIM1W
644	19410717C.17	CABL.>C3
646	19532026.17	PIASTRINA SUPPORT.INT.FUNGO MRRY17