

Apach

COOK *Line*

arti di ricambio valido
i) ad oggi (21.11.2023)

Catalogue pieces detachees
valable à partir du numero de Série n. 0000001 (31.10.2006) jusqu'à aujourd'hui
(21.11.2023)

Ersatzteilkatalog
gültig ab Serien-Nr. 0000001 (31.10.2006) bis heute (21.11.2023)

Spare parts catalogue
valid from serial no. 0000001 (31.10.2006) up today (21.11.2023)

Catálogo de peças de reposição
válido do número de série 0000001 (31.10.2006) até hoje (21.11.2023)

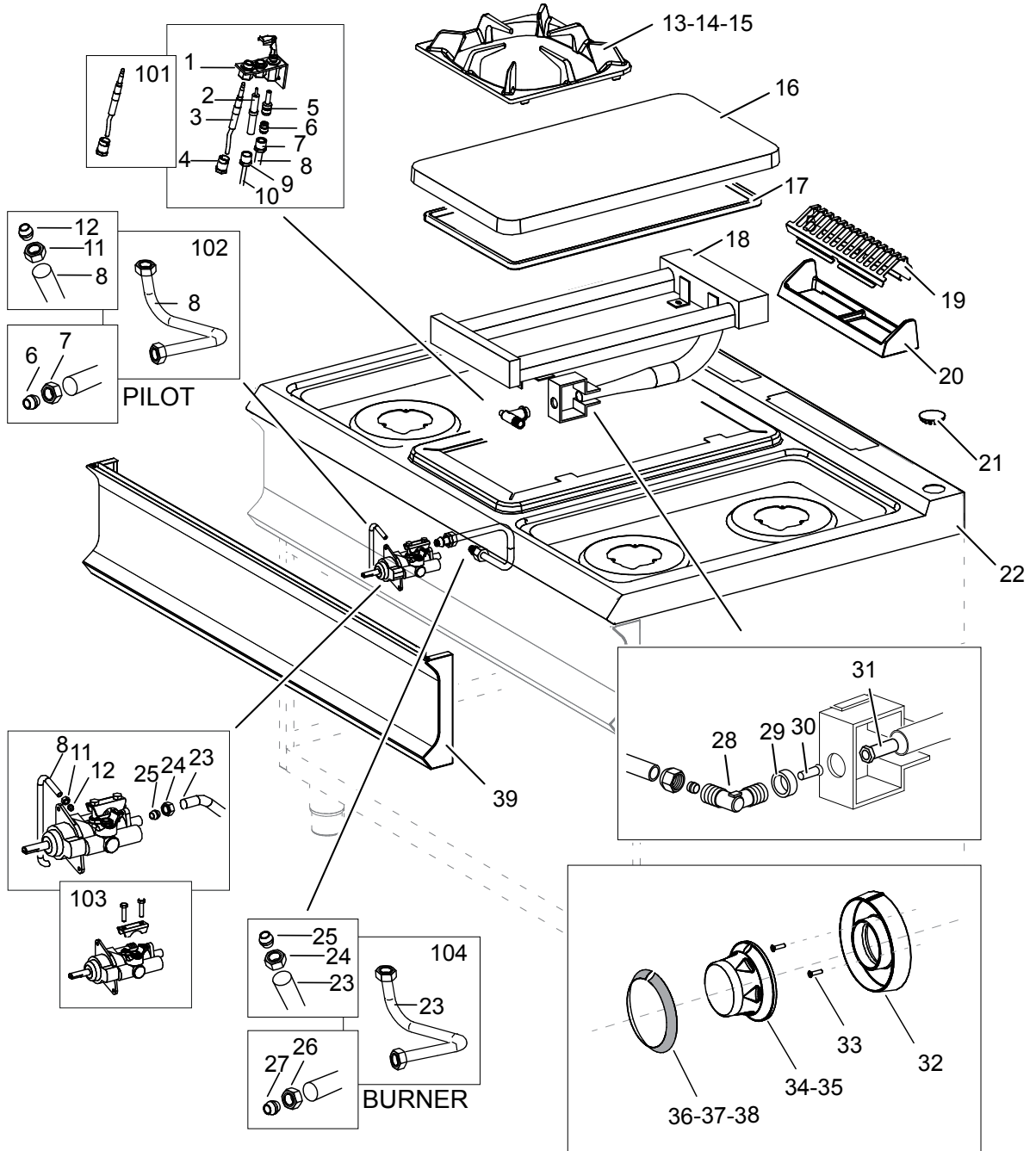
Le informazioni sono considerate non vincolanti. Le immagini rappresentate sono puramente indicative. Il produttore si riserva il diritto di apportare modifiche in qualsiasi momento senza preavviso.

Les informations données ne sont pas contraignantes. Les images montrées sont à titre indicatif. Le producteur se réserve le droit d'apporter des modifications sans préavis.

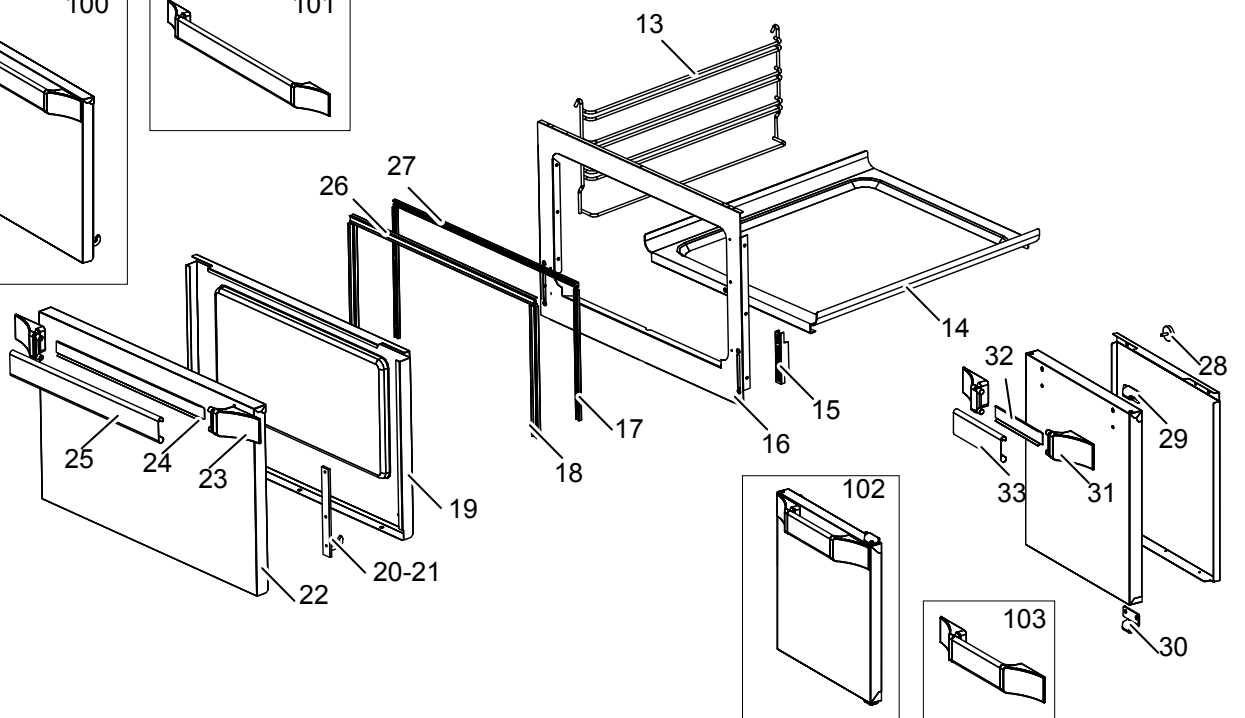
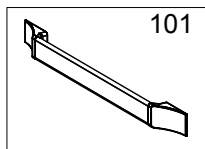
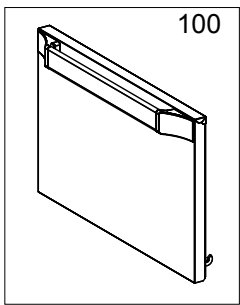
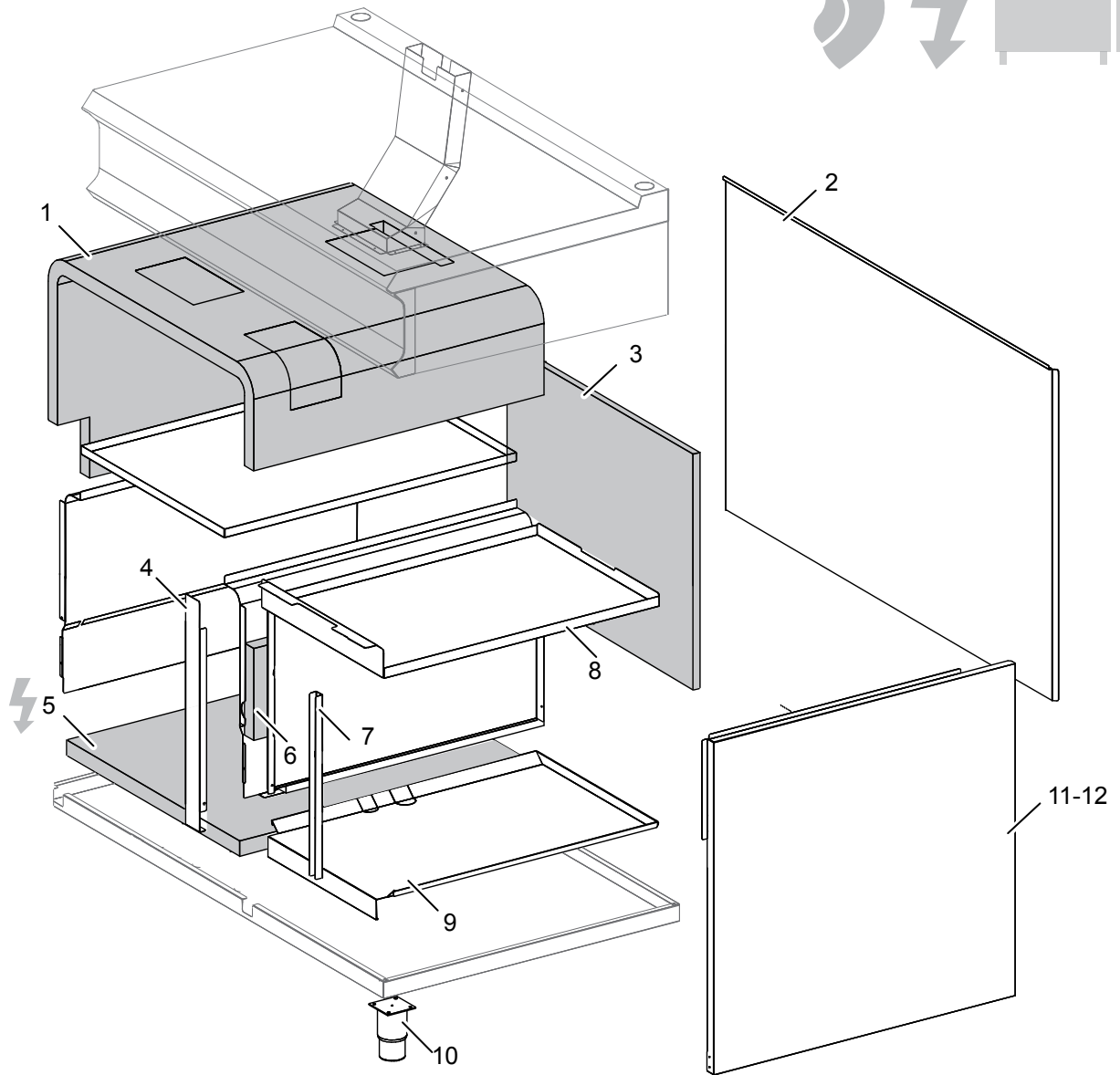
Die im vorliegenden Dokument aufgeführten Informationen und Bilder sind unverbindlich. Der Hersteller behält sich das Recht vor, jederzeit ohne vorherige Ankündigung Änderungen vorzunehmen

Info and drawing could be slightly different from reality and they cannot be considered as compelling. Manufacturer can modify info anytime without forewarning.

As Informações e desenhoS podem estar um pouco diferente da realidade e são puramente indicativas. O fabricante pode modificar estas informações a qualquer momento sem aviso prévio.

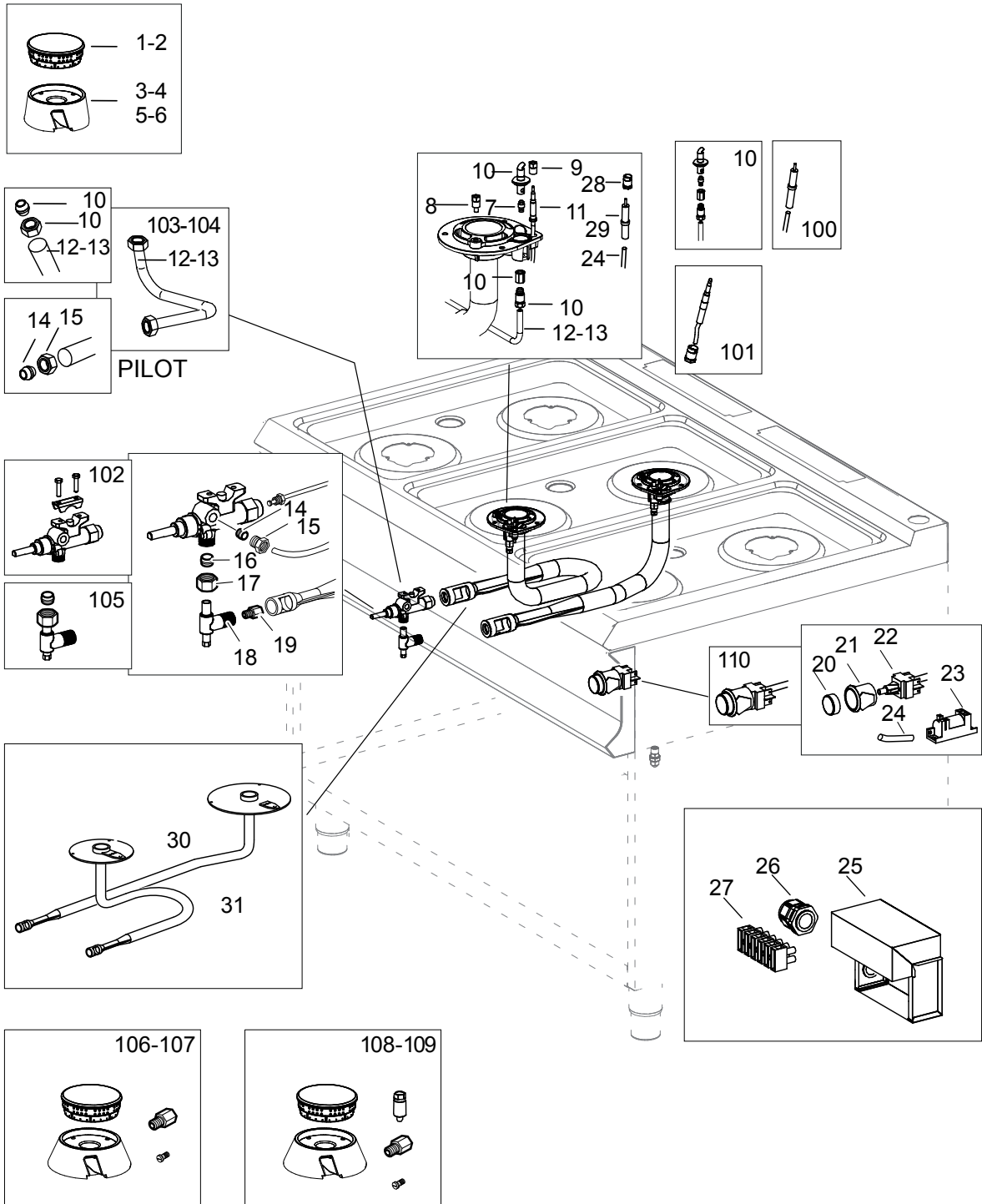


Nr.	Code	Title	Recommended
1.	RTCP800034	SIT 1 WAY PILOT BURNER (TARGET)	✓
2.	RTCP800033	IGNITION PLUG ROUND 7X44 LENGHT 58 MM	✓
3.	RTCU700374	THERMOCUOPLE 60CM WITH THREAD (RANGES)	✓
4.	RTCP800038	FIXING NUT FOR TARGET THERMOCOUPLE	✓
5.	INIETTORE	SEE HANDBOOK NOZZLES	
6.	RTCU800183	BICONE D.6 MM.11	
7.	RTCU800182	NUT AC.D.6 BLACK HEIGHT 11 MM.	
8.	176783	BURNER PILOT PIPE	
9.	RTCU900215	FIXING NUT SIT FOR SPARK ELECTRODES	✓
10.	RTBF800308	IGNITION CABLE CM 150	✓
13.	RTCU700274	BLACK ENAMELLED PAN GRID -MAGISTRA -	
16.	RTCU700438	WORK PLANE	
17.	163290	INSULATION	
18.	170232	MIJOTAGE BURNER	
19.	202046	CHIMNEY GRILL	
21.	200787	STOPPER	
22.	204134	WORK PLANE	
28.	RTCU900337	INJECTOR SUPPORT	
29.	RTCU900005	LOCK NUT	
30.	INIETTORE	SEE HANDBOOK NOZZLES	
31.	RTCU700584	AIR REGULATOR BURNER 18X42	
34.	202201	BURNER KNOB	
36.	200160	KNOB RING	
37.	200481	ADHESIVE RING GAG THERMOSTAT	
38.	200341	OVEN RING	
39.	204730	CONTROL PANEL	
101.	RTCU900474-00	KIT THERMOCOUPLE	
102.	RIC0005188	KIT PILOT PIPE	
103.	RIC0004862	GAS THERMOSTAT	✓
104.	176780	FEEDING PIPE FOR BURNER	

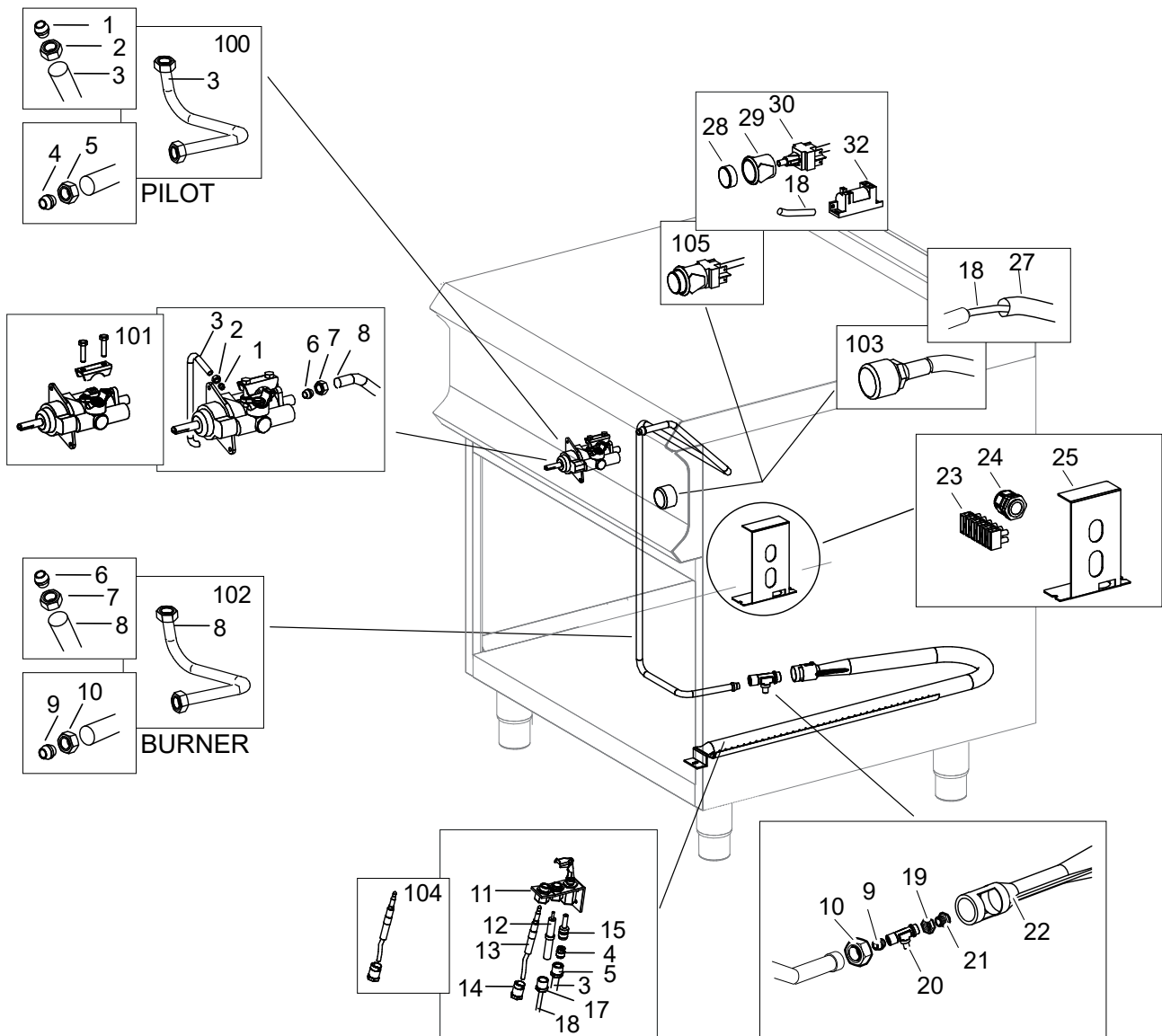


2

Nr.	Code	Title	Recommended
1.	166251	INSULATING PANEL LEFT	
2.	200397	BACK SIDE	
3.	167386	INSULATING PANEL	
4.	200022	FRONT CROSS MEMBER	
6.	166252	INSULATING PANEL UPPER RIGHT	
7.	200002	HIP REINFORCEMENT	
8.	202657	CONTROLS PROTECTION	
9.	200015	REMOVABLE LOWER FLOOR	
10.	RTCU700277	FOOT	
11.	200031	LATERAL SIDE RIGHT	
12.	200032	LATERAL SIDE LEFT	
13.	167223	OVEN'S LATERAL GUIDES	
14.	167218	OVEN PLATE	
15.	RTCU900004	OVEN DOOR HINGE ROLL HOLDER	
16.	200098	FRONT PANEL	
17.	184105	SIDE SEAL PROFILE	✓
18.	163888	LATERAL GASKET FOR OVEN DOOR	✓
19.	200063	OVEN DOOR COUNTER	
20.	RTCU900027	OVEN LEFTHAND HINGE	✓
21.	RTCU900026	RIGHT HINGE DOOR	✓
22.	200062	OVEN DOOR	
23.	201706	HANDLE TERMINAL	
25.	202052	HANDLE	
26.	164738	TOP GASKET	✓
27.	184110	UPPER OVEN GASKET PROFILE	✓
100.	RIC0005125	OVEN DOOR COMPLETE	
101.	RIC0005126	HANDLE OVEN	



Nr.	Code	Title	Recommended
1.	185734	BURNER CAP 7 KW	✓
3.	200656	FLEX BURNER 5.5KW - 7KW	
7.	INIETTORE	SEE HANDBOOK NOZZLES	
9.	RTCU700391	THERMMOCOUPLE FIXING NUT M6	✓
10.	185732	PILOT BURNER FLEX 2.0	✓
11.	RTCU700374	THERMOCUOPLE 60CM WITH THREAD (RANGES)	✓
12.	200737	BACK BURNER PILOT PIPE	
13.	200738	FRONT BURNER PILOT PIPE	
14.	RTCU900019	NUT D.6 HEIGHT 10,5 MM.	
15.	RTCU900018	BICONE D.6 MM.6	
16.	RTCU900012	BICONE	
17.	RTCU700297	NUT D.10	
18.	173320	INJECTOR SUPPORT TOP	
19.	INIETTORE	SEE HANDBOOK NOZZLES	
30.	200196	BACK BURNER DISTRIBUTION PIPE	
31.	200197	FRONT BURNER DISTRIBUTION PIPE	
101.	RTCU700374-00	KIT THERMOCOUPLE	
102.	RIC0004953	KIT GAS TAP	✓
103.	RIC0004948	KIT FRONT PILOT PIPE FB77FEXSAE	
104.	RIC0004949	KIT REAR PILOT PIPE FB77FEXSAE	
105.	RIC0004951	KIT NOZZLE SUPPORT FB77FEXSAE	
106.	KFB55S	COMPLETE ENAMELED FLEX BURNER KIT 5,5KW	
107.	KFB70S	COMPLETE ENAMELLED FLEX BURNER KIT 7KW	



Nr.	Code	Title	Recommended
1.	RTCU900018	BICONE D.6 MM.6	
2.	RTCU900019	NUT D.6 HEIGHT 10,5 MM.	
3.	173389	OVEN PILOT PIPE	
4.	RTCU800183	BICONE D.6 MM.11	
5.	RTCU800182	NUT AC.D.6 BLACK HEIGHT 11 MM.	
11.	RTCP800034	SIT 1 WAY PILOT BURNER (TARGET)	✓
12.	RTCP800033	IGNITION PLUG ROUND 7X44 LENGHT 58 MM	✓
13.	RTCU900061	THERMOCOUPLE 120 CM TARGET	✓
14.	RTCP800038	FIXING NUT FOR TARGET THERMOCOUPLE	✓
15.	INIETTORE	SEE HANDBOOK NOZZLES	
17.	RTCU900215	FIXING NUT SIT FOR SPARK ELECTRODES	✓
18.	RTBF800308	IGNITION CABLE CM 150	✓
19.	RTCU900005	LOCK NUT	
20.	162697	INJECTOR SUPPORT	
21.	INIETTORE	SEE HANDBOOK NOZZLES	
22.	167224	OVEN BURNER	✓
27.	168890	TRASPARENT SILICON PIPE	
100.	RIC0004958	KIT OVEN PILOT PIPE	
101.	RIC0004862	GAS THERMOSTAT	✓
102.	173388	FEEDING PIPE FOR OVEN BURNER	✓
103.	RIC0004096	PIEZO IGNITION + LIGHTING CABLE	✓
104.	RTCU900061-00	KIT THERMOCOUPLE + NUT 120 CM	