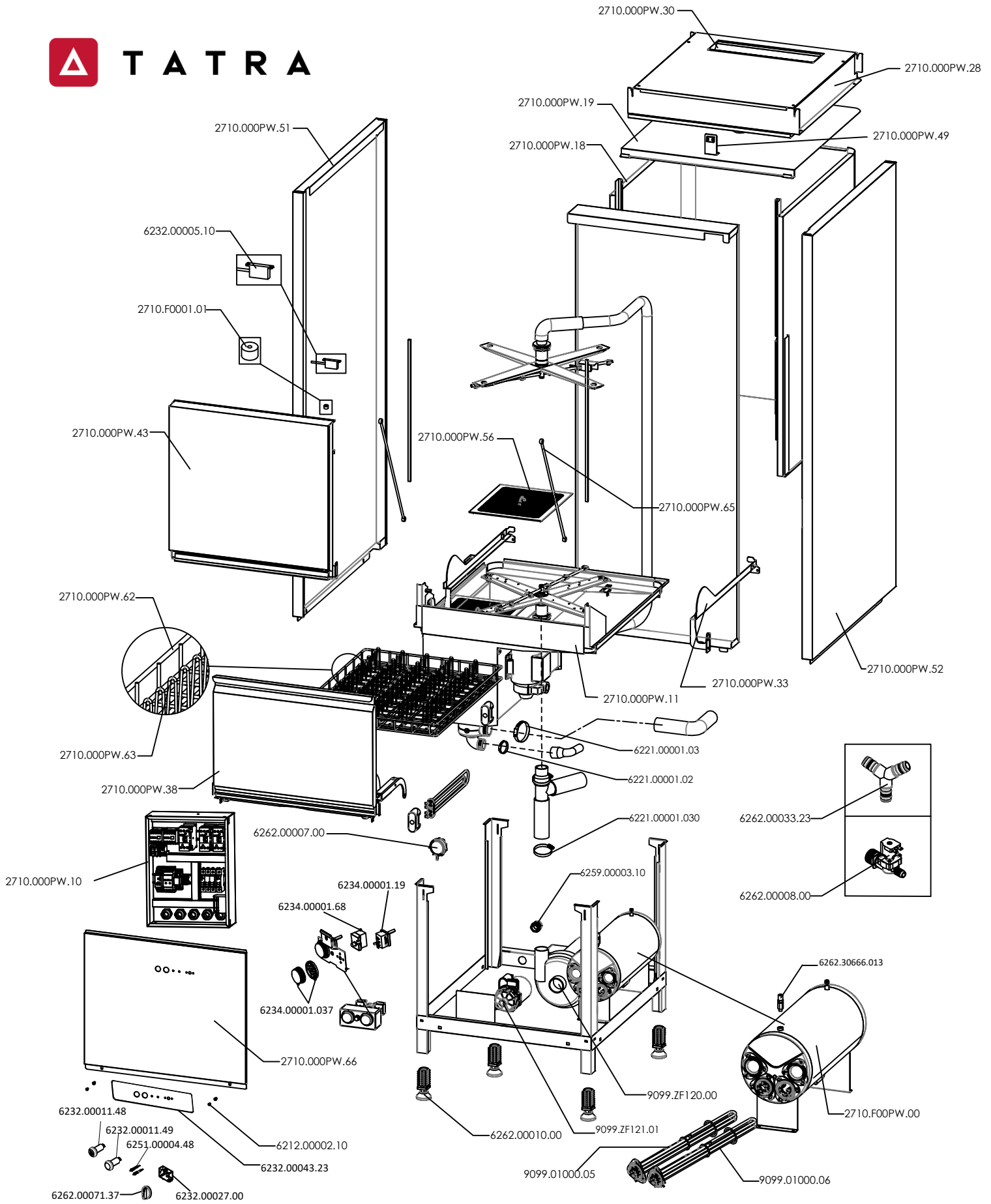
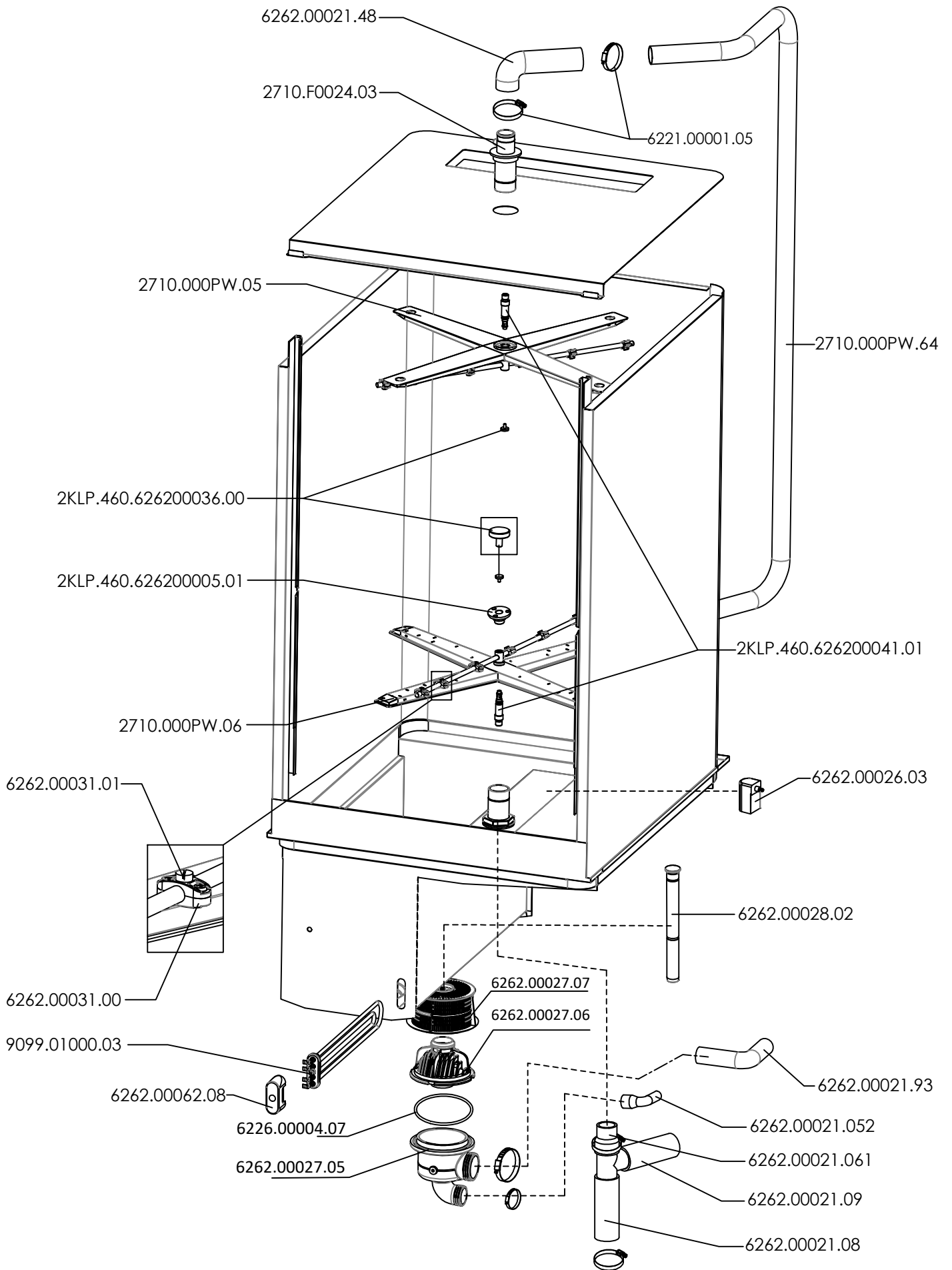
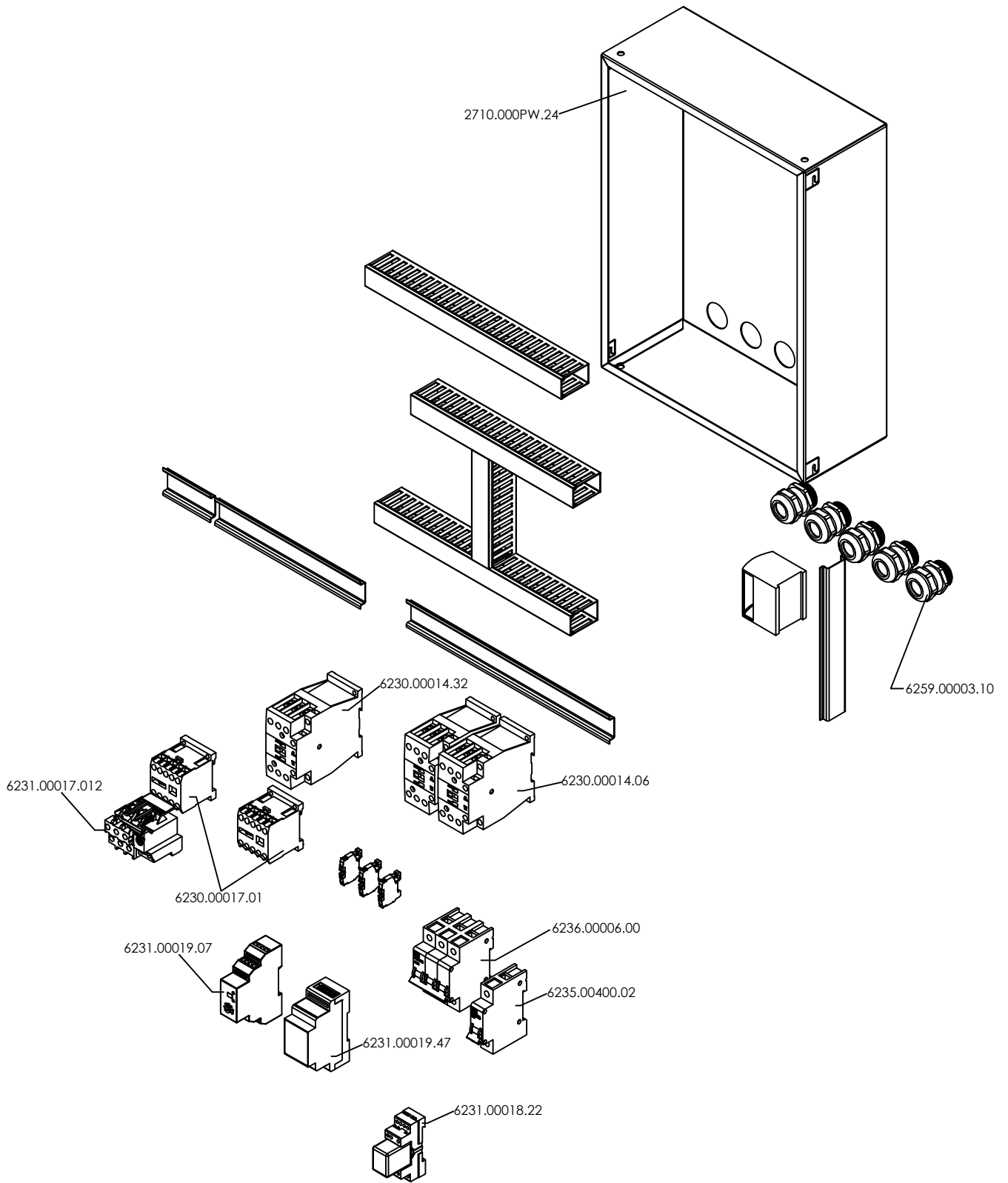




TATRA







CODE	Part Name
6232.00005.10	Magnetic switch
2710.F0001.01	Door type Magnet with cover
2710.000PW.66	Front Panel
2710.000PW.00	Boiler
6262.30666.013	Rinse pump check valve
6262.00043.23	Nara tag
6262.00010.00	Feet
6232.00011.48	Button (Power)
6232.00011.49	Button (blue)
6251.00004.48	Signal Lamp
6232.00027.00	Commutator
6262.00071.37	Commutator Knob
6212.00002.10	M6*30 Inox bolt
6234.00001.19	Thermostat
6234.00001.68	Limit Thermostat
6234.00001.037	Thermostat Protection Cap
6262.00008.00	3/4 PLASTIC VALVE
6262.00033.23	Rinsing water Distrubutor(3 way)
9099.ZF121.01	LGB Pump ZF 121 SX
9099.ZF120.00	LGB POMPA ZF 1200 SX L11 (60-60)
2710.000PW.18	Environmental sheet
2710.000PW.19	Top sheet
2710.000PW.28	Top connection
2710.000PW.30	Top chimney
2710.000PW.38	Bottom cover
2710.000PW.43	Top cover
2710.000PW.49	Top cover stop
2710.000PW.56	Stainless Steel strainer
2710.000PW.62	Stainless Steel basket
2710.000PW.63	Stainless Steel basket tray kit
2710.000PW.33	Basket rail
2710.000PW.65	Door connection shaft
6259.00003.10	PG 21 fitting
6221.00001.03	CLAMP 32*50 MM
6221.00001.030	CLAMP 32*50 MM (AISI 430)
6221.00001.02	Clamp 12x20
2710.000PW.51	Side panel right
2710.000PW.52	Side panel left
6262.00021.48	Hose
6221.00001.05	Clamp 50X70
2710.F0024.03	Connection Pipe
2710.000PW.64	Washing hose
9099.01000.06	Boiler Resistance 9 KW
9099.01000.05	Boiler Resistance 5 KW
6262.00007.00	Water Level Switch
2710.000PW.05	Stainless Steel Washing Spray arm
2710.000PW.06	Stainless Steel Rinsing Spray arm
2KLP.460.626200041.01	Washing shaft
2KLP.460.626200036.00	Special Screw
2KLP.460.626200005.01	Rinsing arm bush
6262.00031.01	Rinsing arm uppert part
6262.00031.00	Rinsing arm lower part
6262.00026.03	Air trap

9099.01000.03	Tank heater 2000+25000W
6262.00028.02	Drain pipe
6262.00027.07	Suction filter top part
6262.00027.06	Suction filter center part
6226.00004.07	Gasket
6262.00027.05	Suction filter lower part
6262.00062.08	Resistance protection cover tank heater
6262.00021.052	Hose
6262.00021.061	Hose
6262.00021.09	Hose
6262.00021.08	Hose
6262.00021.93	Hose
2710.000PW.24	Electrical panel sheet
2710.F00PW.10	Electrical panel assembled
6230.00017.01	Contactator
6231.00017.012	Mini contactor
6231.00018.22	Relay
6230.00014.32	Contactator
6230.00014.06	Contactator
6235.00400.02	Auto Insurance
6236.00006.00	Auto Insurance
6231.00019.07	Time Relay
6231.00019.47	Time Relay