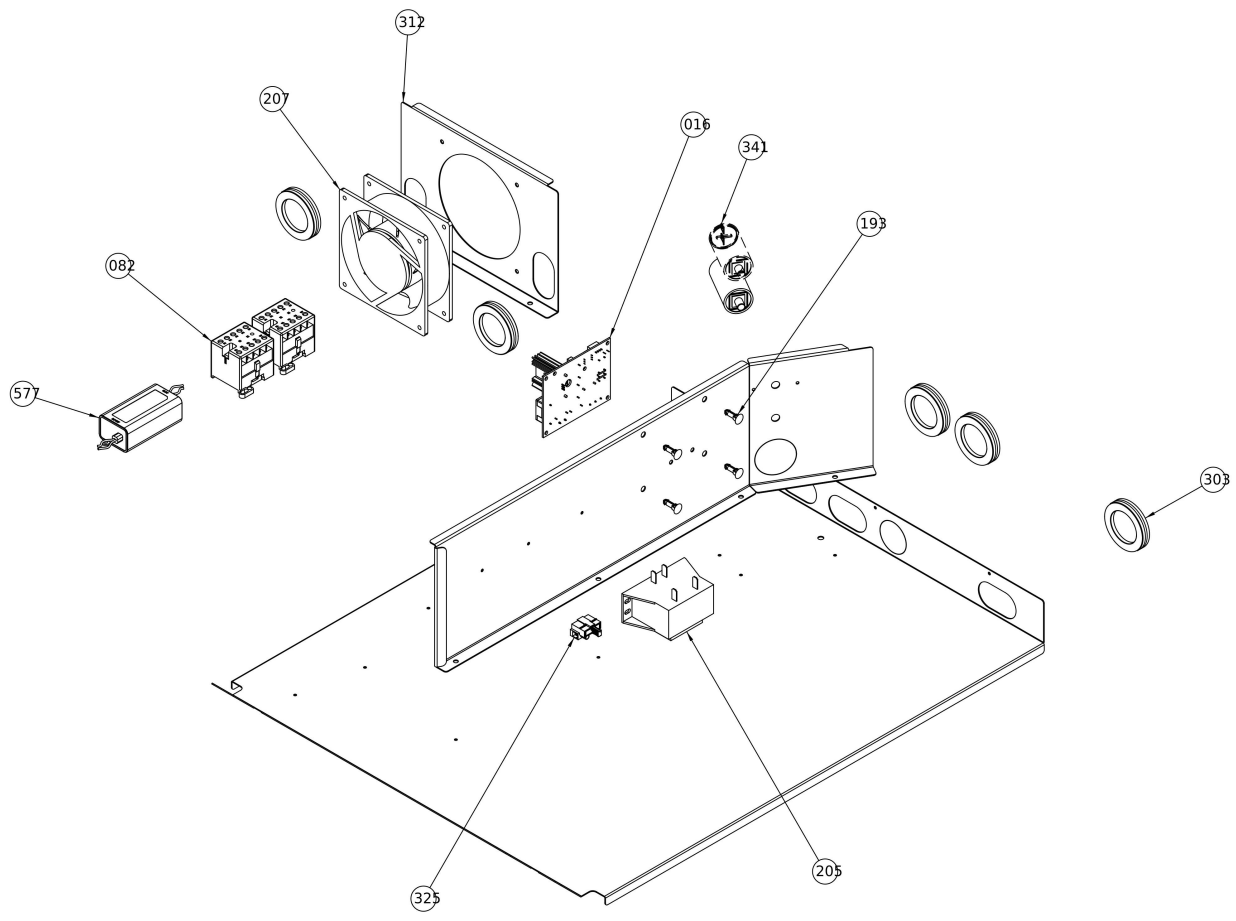


#	Code	Description	Specification	UM	Qty
001	TBC-FRO*	FRONTAL STICKER	To order share s/n	pz	1
009	TBC-CRU	OVEN FRONTAL PANEL	To order share s/n	pz	1
016	TBC-85SCH00025*	RIALTO 20SCH00072 CONTROL BOARD ASSY	To order share s/n	pz	1
201	020CNT0020	USB CONNECTOR		pz	1
431	040TAP00023	USB COVER		pz	1

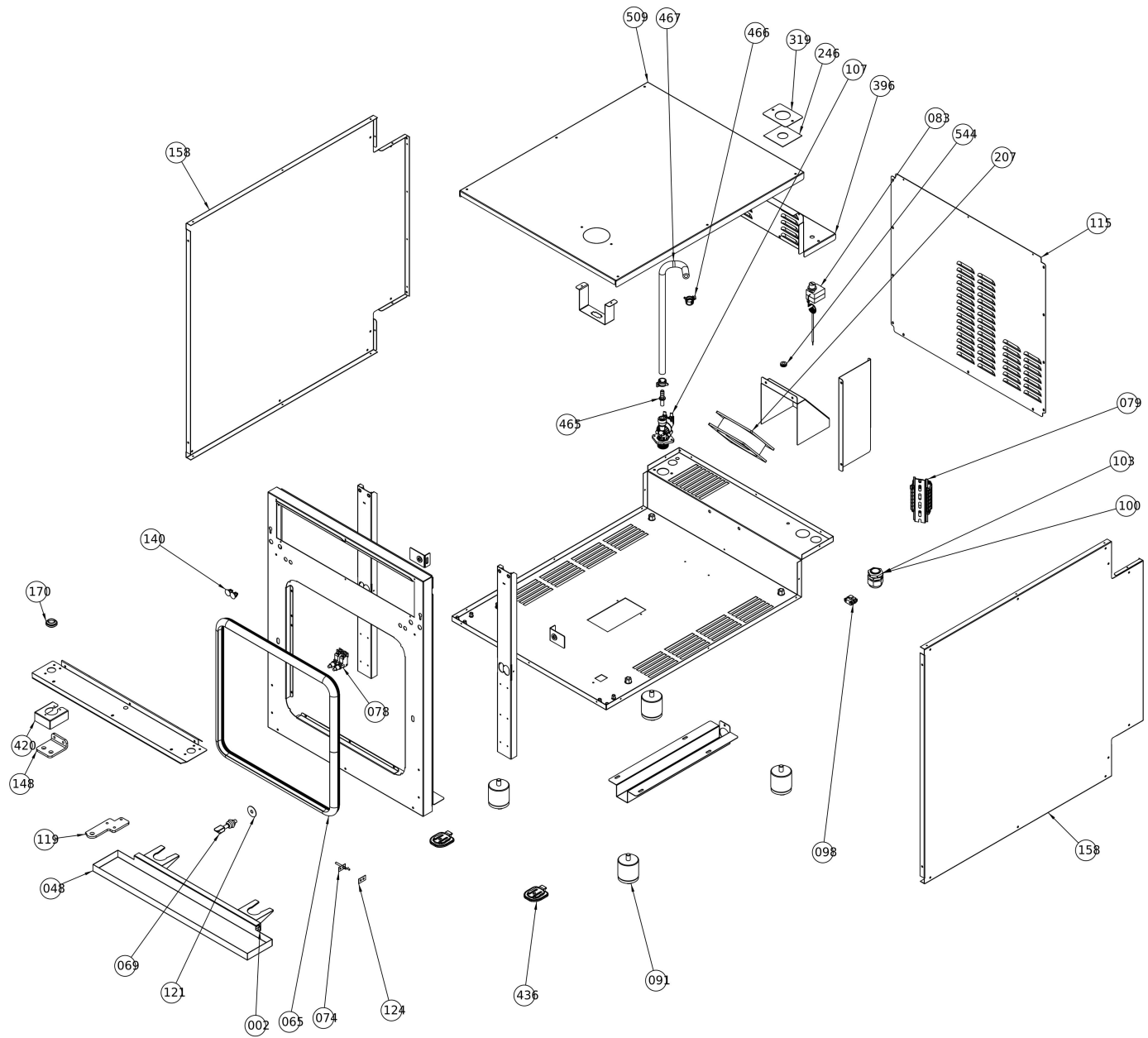


Electrical box

#	Code	Description	Specification	UM	Qty
016	20SCH00076	PHASE CUT RSFAN700		pz	1
082	020TEL0004	BRAKER 4POLES 220/240V 20A		pz	2
193	040DIS00002	FIXING PIN		pz	4
205	020TRS0001	TRASF. METH 230V-12V T5 20VA		pz	1
207	020MOT0009	MOTOR 30W		pz	1
303	040PPC00007	WIRING PLASTIC CONNECTOR		pz	5
312	10SUP00058	AXIAL FAN SUPPORT RIALTO		pz	1
325	20PUL00012	FUSE RACK		pz	1
341	020CND00001	CAPACITOR 6,3 ?F		pz	1
577	20ALM00004	POWER SUPPLIER 16,8W 24V AVP-16-24		pz	1



#	Code	Description	Specification	UM	Qty
037	85AVI00015	INTERNAL GLASS ASSY R06		pz	1
038	TBC-85AVE00074*	EXTERNAL GLASS LEFT ASS. R06	To order share s/n	pz	1
039	TBC-85PTA00107*	R06 DOOR ASSEMBLY	To order share s/n	pz	1
044	040TAP00015	INTERNAL GLASS HINGE		pz	6
045	TBC-85MNG00001*	DOOR HANDLE	To order share oven s/...	pz	1
048	10VAS00099	DOOR DROPLET COLLECTOR		pz	1
269	040MAN00010	INTERNAL GLASS BLOCKING KNOB		pz	2
435	020LED0001	LAM LED PT 4T CR380OP4 L=405MM		pz	1

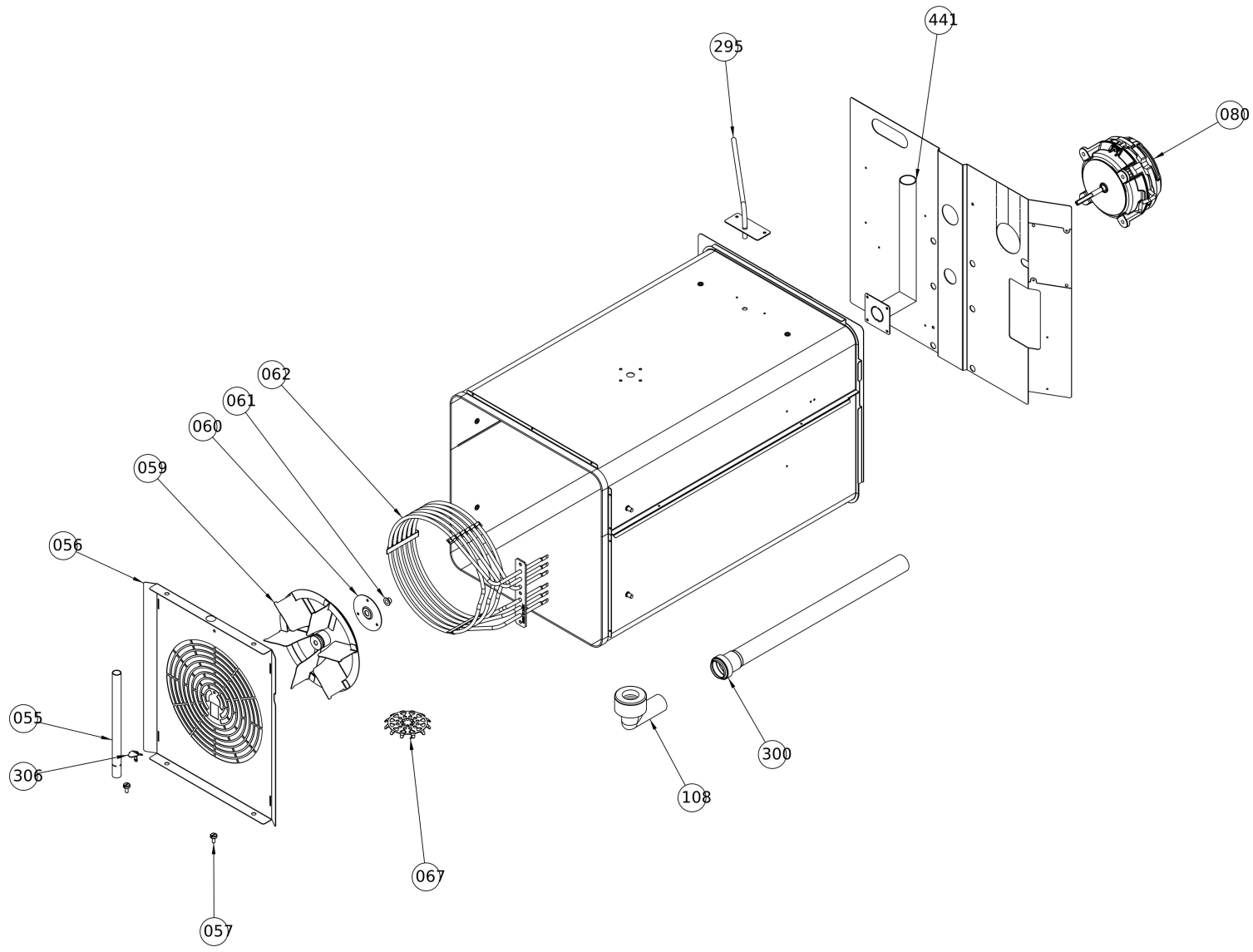


Oven body

#	Code	Description	Specification	UM	Qty
002	40DIS00012	DROPLET COLLECTOR CONNECTION		pz	2
048	10VAS00098	DROPLET COLLECTOR RIALTO		pz	1
065	040GUA00014	GASKET CONVECTION OVENS BURANO/TORCELLO		cm	152
069	60NAS00003	DOOR LOCKING SYSTEM		pz	1
074	020SON0002	PROBE TCJ FLANGED		pz	1
078	020PUL0002	NO/NC MICRO SWITCH		pz	1
079	020MOR0004	MAIN TERMINAL BLOCK KLEMSAN		pz	1
083	020TER0007	SAFETY THERMOSTAT		pz	1
091	50PIEAI002	ADJUSTABLE FEET H 50 MM		pz	4
098	020MOR0001	GROUND TERMINAL		pz	1
100	040PPC00002	CABLE FIXING		pz	1
103	040CTD00002	NUT		pz	1
107	020ELE0001	SINGLE SOLENOID VALVE		pz	1
115	10FIA00016	OVEN BACK R06		pz	1
119	10PIA00217	LOWER HINGE RIALTO		pz	1
121	10PIAA10SAA013	PLATE		pz	1
124	040GUA00007	GASKET FOR PROBE		pz	1
140	040TAP00016	PLASTIC COVER		pz	2
148	10CER00052	UPPER HINGE RIALTO		pz	1
158	10FIA00014	LEFT-RIGHT SIDE R06		pz	2
170	040PPC00004	MEMBRANE		pz	1
207	020MOT0009	MOTOR 30W		pz	1
246	040GUA00010	FIREPLACE GASKET		pz	1
319	10PIAA10SAA072	PLATE		pz	1
396	10TOP00040	UPPER BACK COVER		pz	1
420	10PRP00240	UPPER HINGE COVER		pz	1
436	40DIS00011	CLIP		pz	2
465	40RAC00034	PIPE HOSE 8-8		pz	1
466	40FSC00010	STEEL SPRING TIE DIA 15		pz	2
467	30TBG00003	HIGH TEMPERATURE PIPE		pz	40
509	10TOP00041	UPPER OVEN COVER		pz	1
544	040PPC00008	WIRING PLASTIC CONNECTOR		pz	1

Oven body



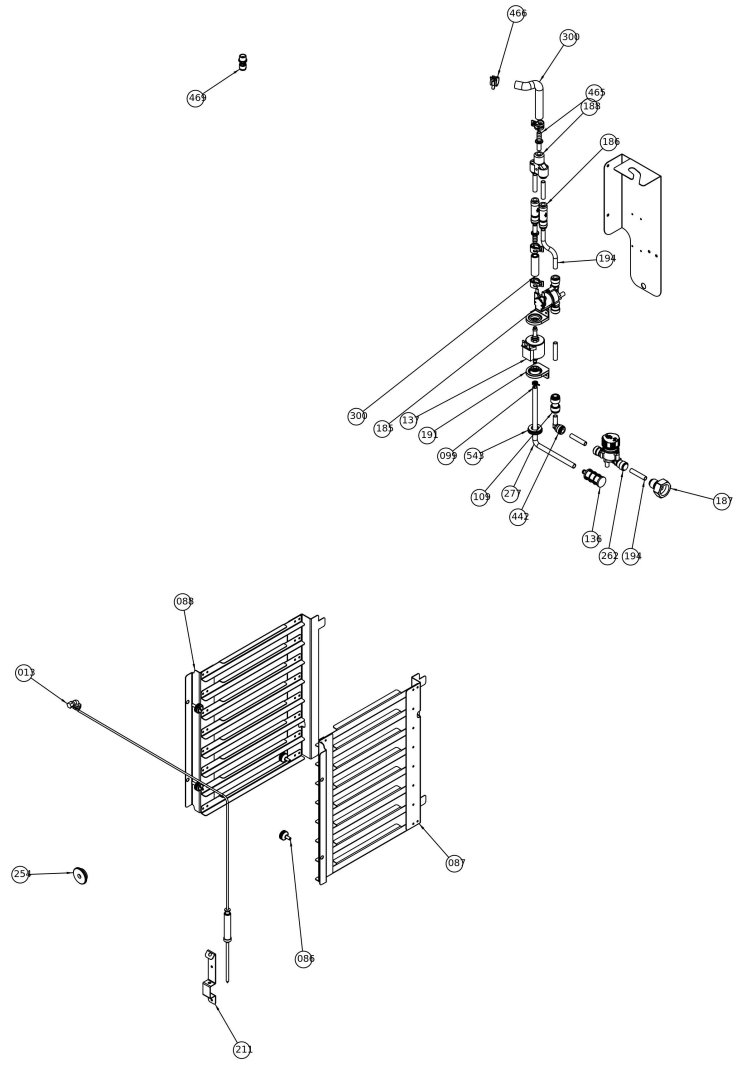


Cooking chamber

#	Code	Description	Specification	UM	Qty
055	30TBA00123	FAN HUMIDIFICATION PIPE ?16MM R06		pz	1
056	10DEF00076	AIR DEFLECTOR R06		pz	1
057	70VIT041	SCREW FOR DEFLECTOR		pz	2
059	60VENAI013	IMPELLER 200X61 AIRTEK 2.0		pz	1
060	10PIAA10LAA009	PLATE FOR MOTOR		pz	1
061	040BOC00006	CRANKSHAFT BUSH		pz	1
062	20RES00042	HEATING ELEMENT 5 KW		pz	1
067	85PIA00007	DRAIN COVER		pz	1
080	020MOT0028	MOTOR 230V		pz	1
108	30TBS00002	BEND 90° 30 MM		pz	1
295	85TBB00021	HUMIDIFICATION PIPE ASSEMBLY		pz	1
300	30TBS00001	SOCKETED PIPE D30MM L500MM		pz	1
306	10PIA00266	HUMIDIFICATION PIPE PLUG PLATE		pz	1
441	85TBB00023	STEAM OUTLET PIPE ASSEMBLY RIALTO		pz	1

---

Cooking chamber



Internal accessories

#	Code	Description	Specification	UM	Qty
013	020SON0006	CORE PROBE		pz	1
086	70VIT015_B	SCREW M5X12 BULCK HEAD SHINE PLATE SS		pz	4
087	TBC-GRI_DX	RIGHT TRAYS HOLDER	To order share s/n	pz	1
088	TBC-GRI_SX	LEFT TRAYS HOLDER	To order share s/n	pz	1
099	040FSC005	BAND SPRING DN 10.1		pz	1
109	040RAC00002	PLASTIC CONNECTOR		pz	1
136	40FIL00004	DETERGENT FILTER+WEIGHT		pz	1
137	20PMP00006	DET. PUMP.230V50/60HZ MPP1.01.XXX.Y/ST		pz	1
185	020ELE0004	SELF CLEAN SOLENOID VALVE		pz	1
186	040RAC00005	CHECK VALVE IN/OUT JG 8MM 5/16SCV		pz	2
187	040RAC00006	PLASTIC 3/4 JUNCTION		pz	1
188	040RAC00003	Y JOINT 5/16		pz	1
191	50PAR00020	DETERGENT PUMP SILENT BLOCK		pz	2
194	30TUBP80007	TUBE LLDPE 8/6		cm	30
211	10PIA00254	CORE PROBE LOCK PLATE		pz	1
254	040BOC00009	BUSHING CORE PROBE		pz	1
262	040FIL002	IN/OUT FILTER JG		pz	1
277	30TUBPVC003	PLASTIC WATER PIPE PVC 6X9		cm	200
300	30TBG00004	HIGH TEMPERATURE PIPE		pz	15
442	40RAC00029	RACC. A 90° CON CODOLO 5/16MM PM220808S		pz	1
465	40RAC00034	PIPE HOSE 8-8		pz	2
466	40FSC00010	STEEL SPRING TIE DIA 15		pz	4
469	61UGE00002	WASHING ROTOR TR02Y02-441/330		pz	1
543	040PPC00010	WALL PASSTHROUGH MEMBRANE DIA 21		pz	1