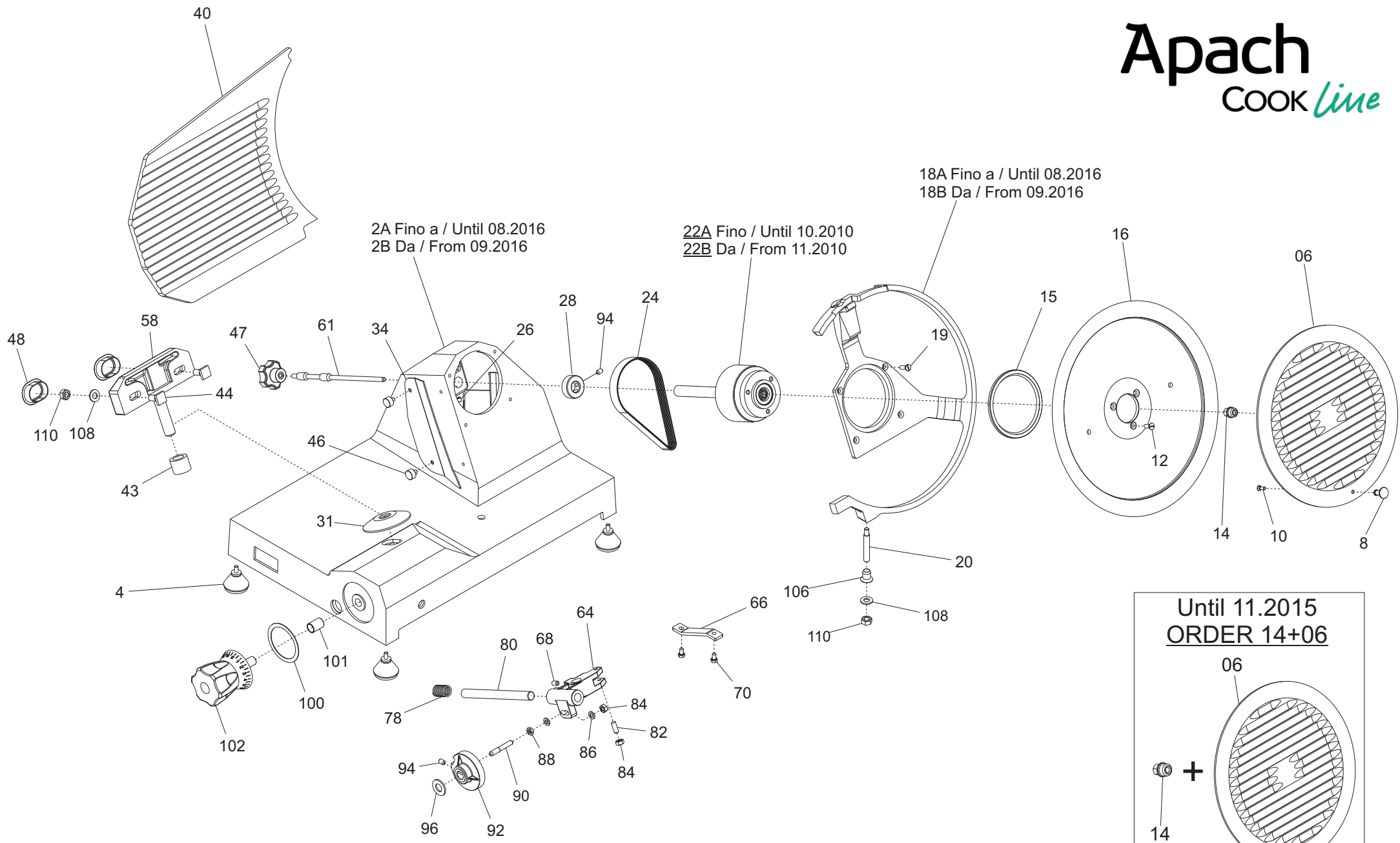


# Apach

COOK *line*



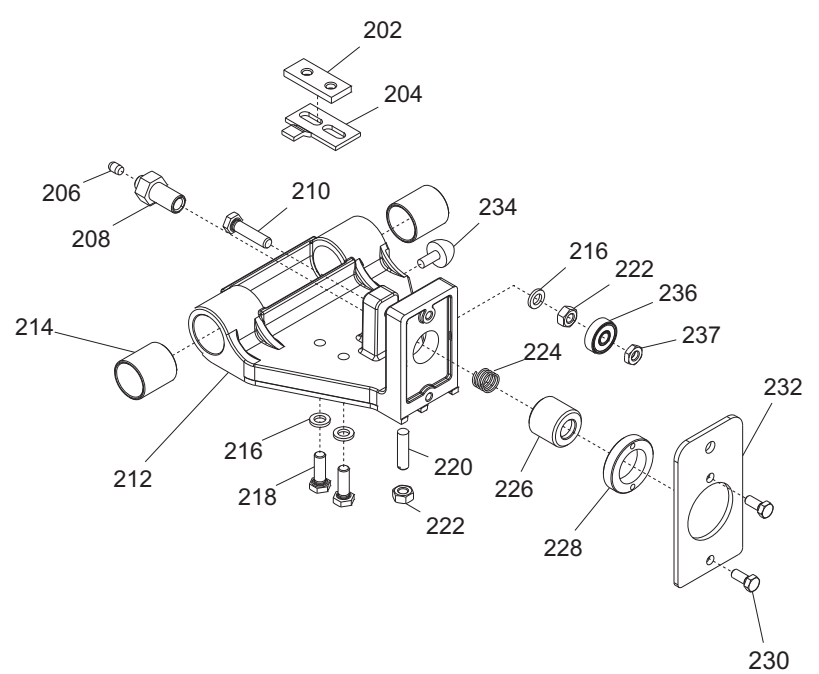
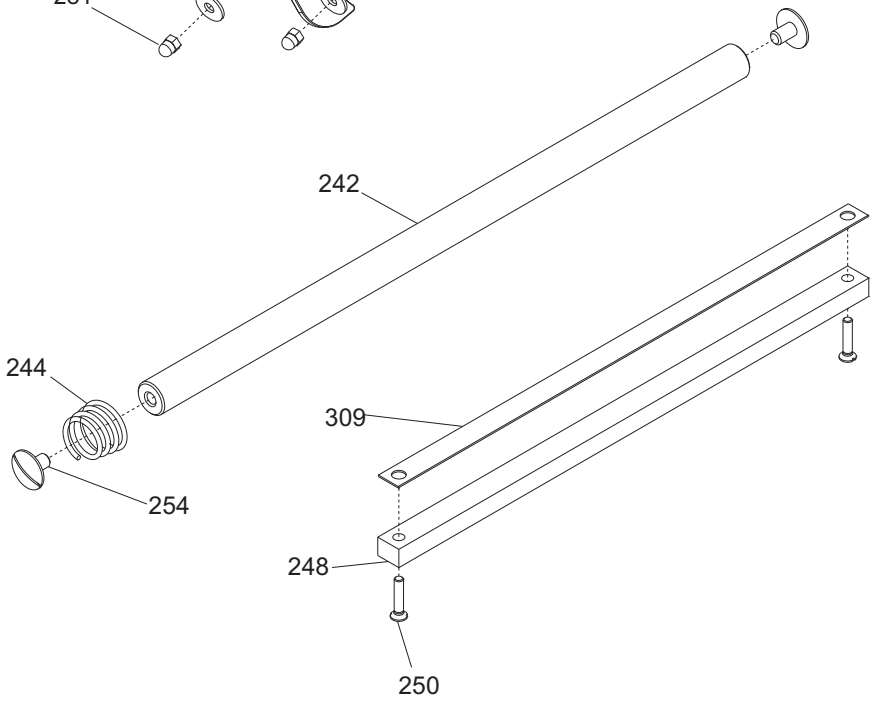
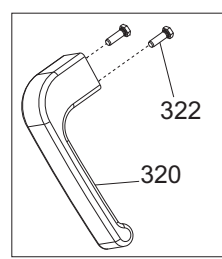
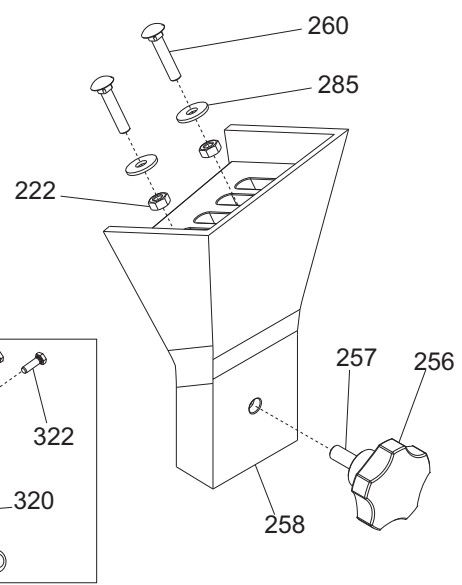
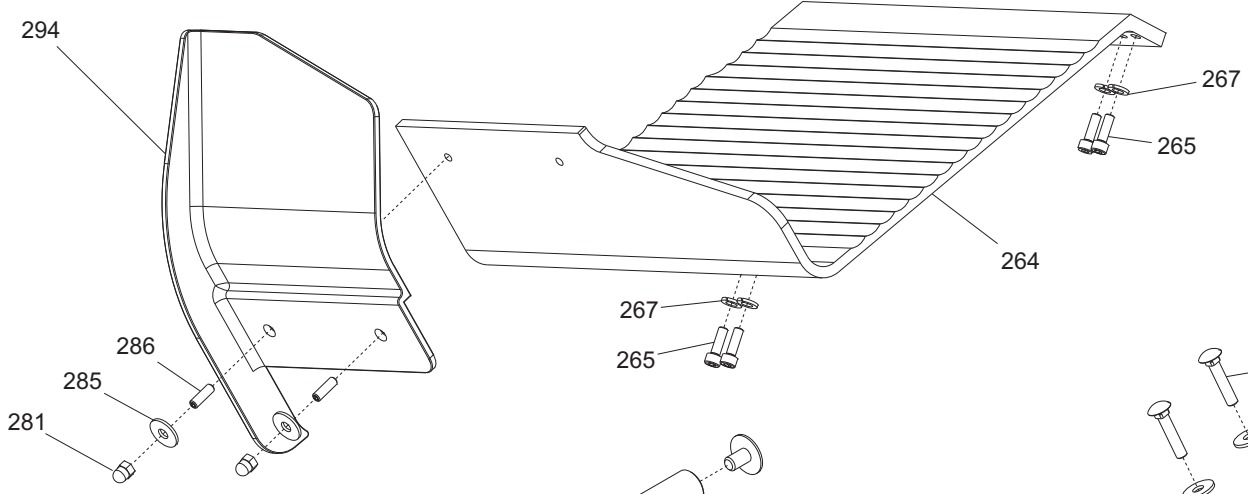
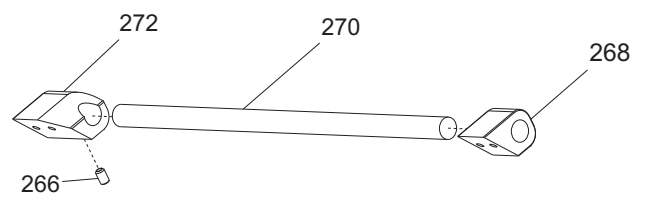
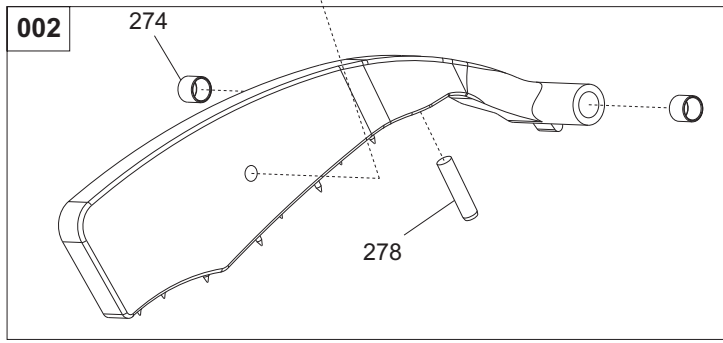
Until 11.2015  
**ORDER 14+06**

06

14 +

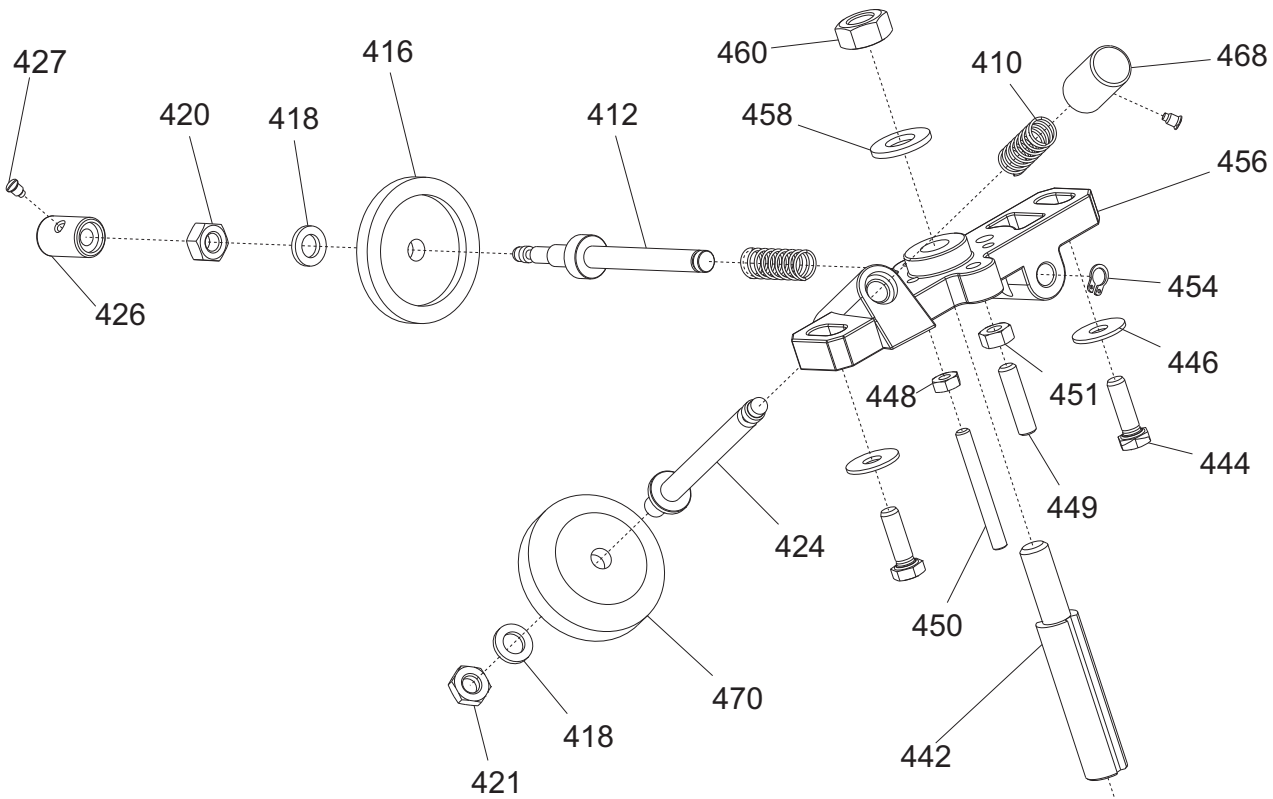
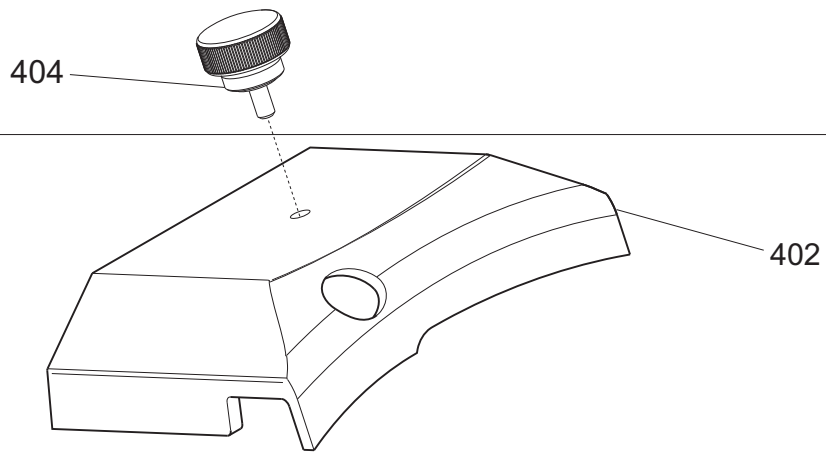
Ref	Code	Name
02A	19510130	BASE/FRAME MIRRA 300
02B	19510130.16	CASSA 300 G MRR Y16 OSSIDATA.
4	19560201	FOOT M5 FOR SLICER/CUTTER
6	19510235	INTERNAL BLADE COVER 300
8	19021110	POMELLO PARALAMA _ LAV
10	IX2963004012	FLATHEAD CSK SCREW DIN 963 M4 X 12
12	IX2963005014	FLATHEAD CSK SCREW DIN 963 M5 X 14
14	19530930.10	LOCK NUT MIRRA 300 Y09
15	19562140	SEAL RING NBR 80X95X5
16	18300403254F	BLADE 300 - 40/3/254 CE
16T	18300403254TF	BLADE 300 40/3/254 TEFLON CE
18A	19513030	BLADE RIM GUARD _ MIRRA 300
18B	19513030.16	BLADE RING GUARD AGS 300
19	IX2963005016	FLATHEAD CSK SCREW DIN 963 M5 X 16
20	19534081	RIM GUARD PIN _ MRR 220-300/PLD 350
22A	19700335	BLADE SHAFT _ MIRRA 300 Y09
22B	19700335.10	SHAFT FOR BLADE 300 AGS Y10
24	19310206	BELT TB2 360 X 8
26	NE0916005006	GRUB SCREW DIN 916 M5 X 6 NE
26	NE0916005008	GRUB SCREW DIN 916 M 5X8 NE
28	19540901	MICROSWITCH HOLDING RING _ MIRRA
31	19563002	LARGE WASHER
34	19531035	S/S SLICE DEFLECTOR _ AGS 300 Y09
40	19510330C	GAUGE PLATE _ MIRRA 300 Y09
43	19562030	PIN SLEEVE, PLATE SUPPORT MIRRA 300
44	193350032	LOCKING SCREW M8X24 MIRRA 300
46	19335014	DEFLECTOR SCREW M5 _ AGS
47 BL	19564016	TIE ROD KNOB M 6 BLUE _ MIRRA
47 GR	19564029	TIE ROD KNOB M6 5L GREY
47 NR	19562502	BLACK KNOB M6X5
48	19560132	SUPPORT CAP _ MIRRA 220-300
58	19510730.18	GAUGE PLATE SUPPORT MIRRA 300
61	19530535	BLADE COVER TIE ROD _ MIRRA 300
64	19500130	THICKNESS PLATE SLIDE _ MIRRA 300
66	19540601	SLIDE GUIDE _ MIRRA
68	NE0916006010	GRUB SCREW DIN 916 M 6X10 NE
70	IX2933005010	HEX.SCREW DIN 933 M5 X 10
78	19390230	MOLLA MOVIMENTO VELA MRR 300 G.
80	19530730	PIN, PLATE SLIDE _ MIRRA 300
82	19337002	BRASS STUD BOLT 6X25
82	19337032	BRASS STUD BOLT M6 X 17 _ AGS
84	IX2934006	HEX.NUT DIN 934 M 6
86	IX2125006	FLAT WASHER DIN 125 D 6
88	IX2439006	LOW HEX.NUT DIN 439 M 6
90	193360630	SLIDE PIN _ MIRRA 300
92	19563505LG	CAM FOR MIRRA 220/275/300 CE
94	NE0916006008	GRUB SCREW DIN 916 M 6X8 NE
96	19342005	CORRUGATED WASHER 12
98	NE0916005008	GRUB SCREW DIN 916 M 5X8 NE

100	19562145	THICKNESS KNOB WASHER _ MIRRA
101	19324111	SELF-LUBR.BUSHES 12.14.20
102 BL	19564020	THICKNESS KNOB BLUE _ MIRRA
102 GR	19564030	GREY GRADUATED KNOB MIRRA
102 NR	19562402	THICKNESS ADJUSTING KNOB AGS
106	19534062	LOCK NUT
108	IX2125008	FLAT WASHER DIN 125 D 8
110	IX2934008	HEX.NUT DIN 934 M8

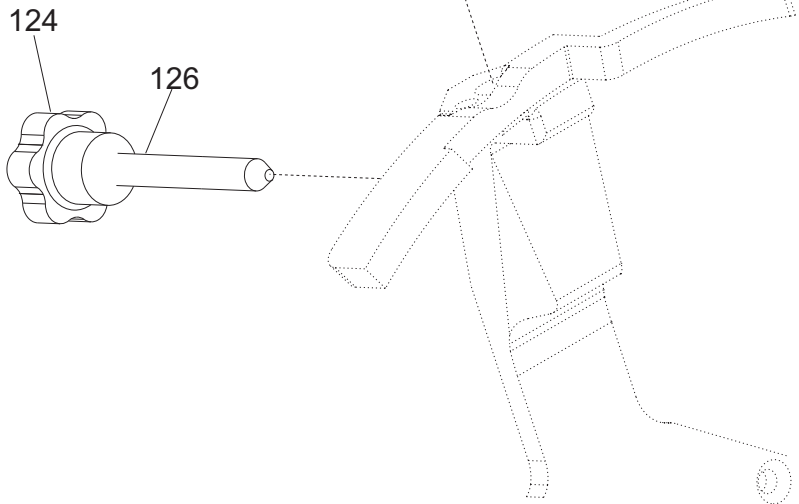
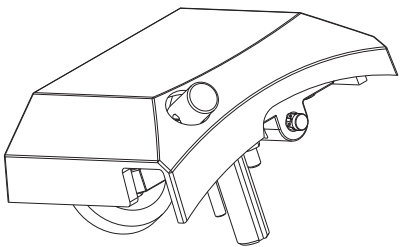


Ref	Code	Name
2	19801235	MEAT PUSHER ASS.Y CANOV/MIRRA 300Y09
202	19533200	THREADED RELEASE PLATE _ SLICER CE
204	19533210	CARRIAGE RELEASE PLATE _ MIRRA CE
206	19565001	RELEASE NEEDLE _ SLICER 300-385 CE
208	19534034	PIN _ SLICER 220-250 CE
210	IX2933006025	HEX.SCREW DIN 933 M6 X 25
212+214	19500532.18	CARRIAGE SLIDE AGS 300
214	19324032	SELF-LUBR.BUSHES 20.23.25 MIRRA 300
216	IX2125006	FLAT WASHER DIN 125 D 6
218	IX2933006018	VITE TE DIN 933 M 6X18 T.F.
220	19337002	BRASS STUD BOLT 6X25
222	IX2934006	HEX.NUT DIN 934 M 6
224	19390600	RELEASE SPRING _ SLICER 220-250 CE
226	19534024	THREADED BUSH _ SLICER 220-250 CE
228	19534029	LOCKRING EXT. _ SLICER 220-250 CE
230	IX2933005012	HEX HEAD SCREW DIN 933 M5X12
232	19533023	PIASTR.CARRELLO MRR.SV 220-275.CAS
234	19560170	CARRIAGE BUFFER M5X12 AGS 220-300
236	19320103	CARRIAGE BEARING 626 2RS R50 _ MIRRA
237	IX2439006	LOW HEX.NUT DIN 439 M 6
242	19530632/02	CARRIAGE ROUND BAR D.20 _ AGS 300
244	19390134	ROUND BAR SPRING _ AGS 300
248	19540132	SQUARE BAR _ MIRRA 275-300
250	IX2963005025	FLATHEAD CSK SCREW DIN 963 M5 X 25
254	193350030	ROUND BAR SCREW _ MIRRA 300
256 BL	19564013	BLADE GUARD TIE ROD KNOB M8 _ BLUE
256 GR	19564023	MANOPOLA TIR.PAR. M8 5 LOB GRIGIA
256 NR	19562504	TIE ROD KNOB M8 5
257	IX2913008030	HEADLESS SCREW DIN913 M8X30 CE
258	19510630C	SHANK _ MIRRA 300 Y09
260	19335042	SCREW, PRODUCT PLATE MIRRA 220-250
264	1,95E+35	PRODUCT PLATE _ MIRRA Y09 CE
265	IX2912005016	SCREW CYL.HEX. DIN 912 M 5X16
266	NE0916005008	GRUB SCREW DIN 916 M 5X8 NE
267	IX21751006	GROWER WASHER UNI 1751 D.6
268	19526062	ALUMINUM ROD BLOCK STRAIGHT MRR 300
270	195304030	MEAT PRESS ROD _ AGS 300
271	IX2125010	WASHER DIN 125 D 10
272	19526060	ALUMINUM ROD BLOCK INCLINED _ MRR 300
274	19324102	SELF-LUBR.BUSH 12.14.12 FRM 2001
278	19563206	MEAT PRESS BUFFER D8,5XH36
281	IX21587LC005	BLIND NUT DIN 1587 M5
282	19541508	SPACER D12X150 _ AGS CE
284 BL	19564012	MEAT PRESS HANDLE - BLUE
284 GR	19564021	GREY KNOB MEATPRESS
284 NR	19562904BZ	MEAT PRESS HANDLE CE
285	IX29021006018	WASHER WIDE DIN 9021 D 6X18
286	IX2913005016	GRUB SCREW DIN 913 M 5X16 CE
294	19562324.06	PLEXI HAND GUARD AGS 300 Y09

309	19530832	HARDENED BAR _ MIRRA 300
320 BL	19562808B	MANIGLIA GAMBO BLU
320 GR	19562808G	CARRIAGE HANDLE - GREY
320 NR	19562808N	BLACK HANDLE, CARRIAGE
320 RS	19562808R	MEAT TRAY HANDLE RED
322	IX2933006016	HEX HEAD SCREW DIN 933 M6X16

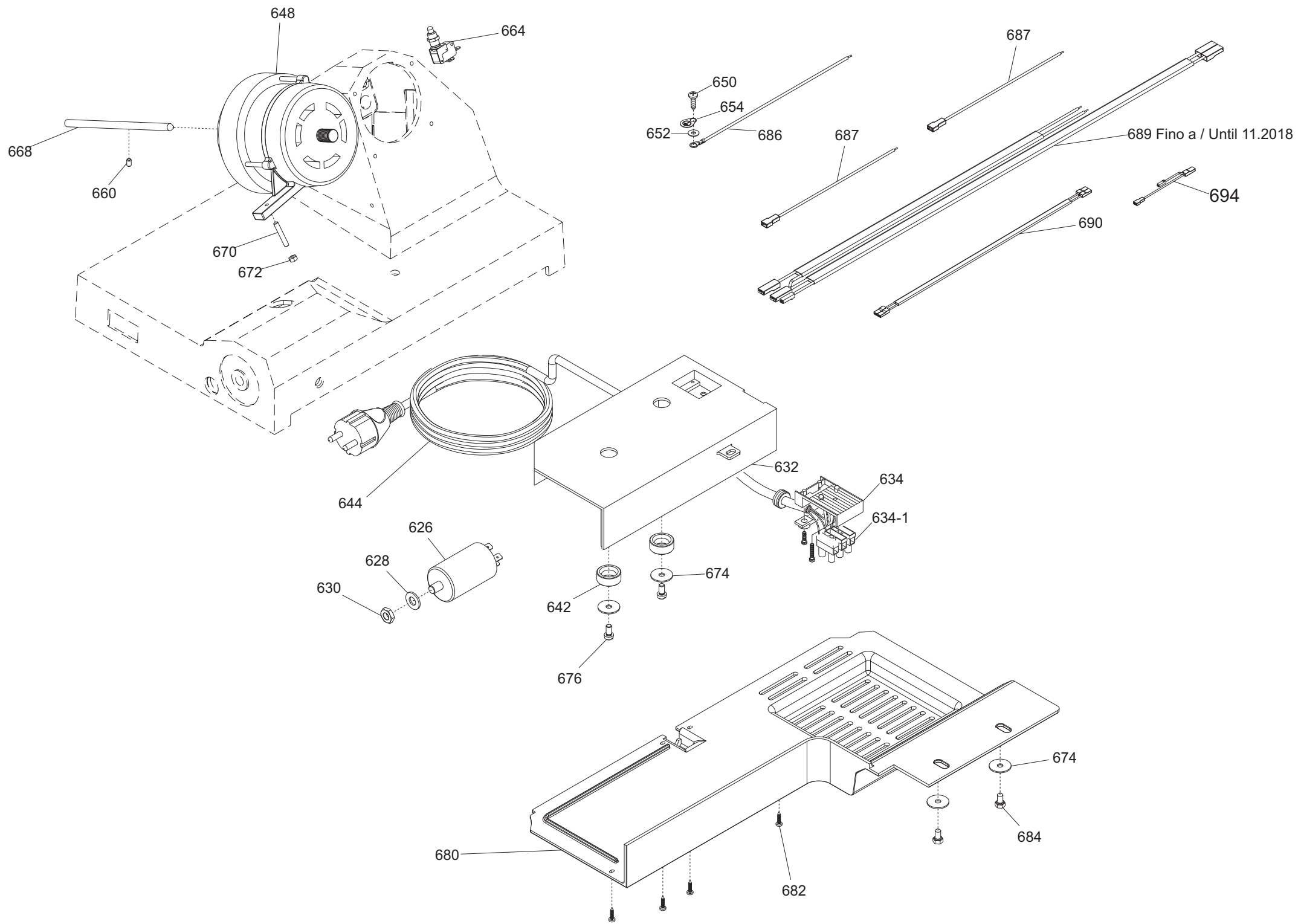


AC



Ref	Code	Name
AC	19800033	SHARPENER ASS.Y MIRRA 300 CE
124 BL	19564015	BLUE KNOB M8
124 GR	19564024	KNOB M8 6LOB GREY
124 NR	19562602	LOCKING KNOB M8
126	19336010	SHARPENER SUPPORT STUD BOLT L=75 MM
402	19511230C	SHARPENER COVER _ MIRRA 300 CE
404 BL	19564018	KNOB M 5 BLUE
404 GR	19564028	POMELLO CAPP.PERNO M5 ZIG. GRIGIA
404 NR	19562701	SHARPENER KNOB M5
410	19390303	SHARPENER SPRING _ SLICER 250-300
412	19540703	PERNO SBAVATURA 250:300
416	19300201	DEBURR.STONE D.40 H8 F6 (5 units)
418	IX2125006	FLAT WASHER DIN 125 D 6
420	IX2934006	HEX.NUT DIN 934 M 6
421	IX2439006	LOW HEX.NUT DIN 439 M 6
424	19540704	SHARPENING PIN _ SLICER 250-300
426	19550203	DEBURRING BUTTON _ SLICER 250-300
427	19335025	BUTTON LOCKING SCREW _ SLICER 250-370
442	19540430	THREADED PIN L=71
444	IX2933005016	HEX.SCREW DIN 933 M5 X 16
446	IX29021005015	PLAIN WASHER LARGE DIN 9021 D 5X15
448	IX2934004	HEX.NUT DIN 934 M 4
449	IX2913005020	GRUB SCREW DIN 913 M5 X 20 CE
450	IX2913004035	GRUB SCREW DIN 913 M4 X 35 CE
451	IX2934005	HEX.NUT DIN 934 M 5
454	IX2471006	SEEGER DIN 471 D 06E
456	19021332	SHARPENER FRAME _ MIRRA VERT.220-300
458	IX2125008	FLAT WASHER DIN 125 D 8
460	IX2934008	HEX.NUT DIN 934 M8
468	19550202	SHARPENING BUTTON _ SLICER 250-300
470	19300101	SHARPENING STONE D40 H11 F6

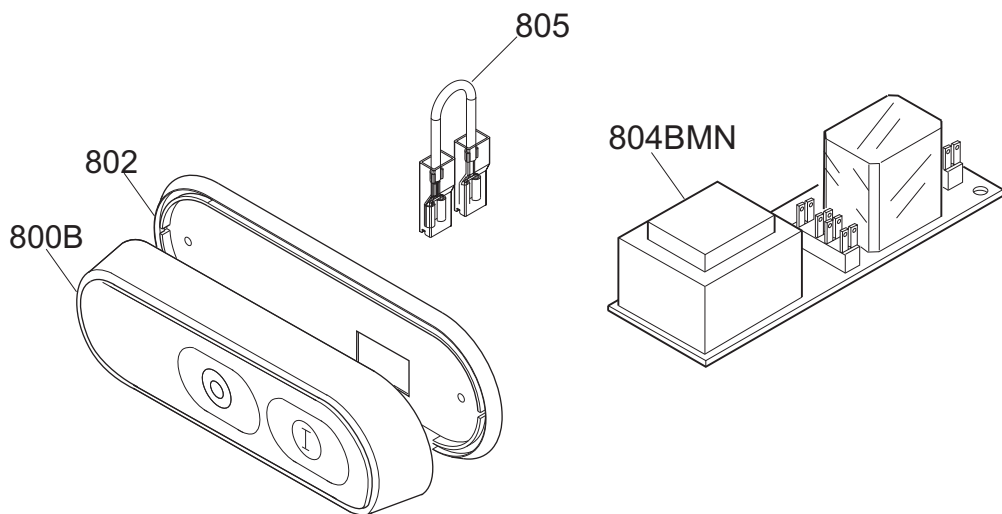




Ref	Code	Name
626	19410301	CAPACITOR 8B $\mu$ F CODOLO M8
628	IX2125008	FLAT WASHER DIN 125 D 8
630	IX2439008	LOW HEX.NUT DIN 439 M8
632 MN	19563125	RELAY HOUSING 11-04-97 _ AGS
634	19410820	SUB-TERMINAL PA 228
634-1	19410822	TERMINAL BLOCK 3 POLES 27
636	IX284005010	SCREW TC-DIN 84 M 5X10
642	19561500	HOUSING SPACER RING
644MN	19410502	SUPPLY CORD SINGLE-PHASE SHUKO""
644TF	19410502	SUPPLY CORD SINGLE-PHASE SHUKO""
648MN	19403052	MOTOR MRR-CNV 300 P.50 230/50/1
648TF	19400432	MOTORE MRR 300 C.PIATTA SV 380 TF
650	IX279813.5009.5	SELF-TAPPING SCREW DIN 7981 D 3,5X9,5
652	IX26798A004	WASHER DIN 6798-A D 4E
654	19420177	GROUND LABEL
660	NE0916005008	GRUB SCREW DIN 916 M 5X8 NE
664	19410201	MICROSWITCH SINGLE-PHASE
668	19540530	MOTOR PIVOT _ MIRRA 300
670	IX2913005030	GRUB SCREW DIN 913 M 5X30 CE
672	IX2934005	HEX.NUT DIN 934 M 5
674	IX29021005020	WASHER LARGE DIN 9021 D 5X20
676	IX284005010	SCREW TC-DIN 84 M 5X10
680	19563152	BASE COVER AGS 300
682	IX279812.9013	SELF-TAPPING SCREW TC+ DIN 7981 D 2,9X13
684	IX2933005010	HEX.SCREW DIN 933 M5 X 10
686	19410738	GROUND CABLE UL _ MIRRA 220-250
687	19410750	INDICATOR LIGHT CABLE
689	19410711	CAVET.ALIM MRR TUV
690	19410701	CAVO MICRO 220-250 NO NORM NO CAS
694	19410760	CAVETTO PROLUNGA TC 12 DNV

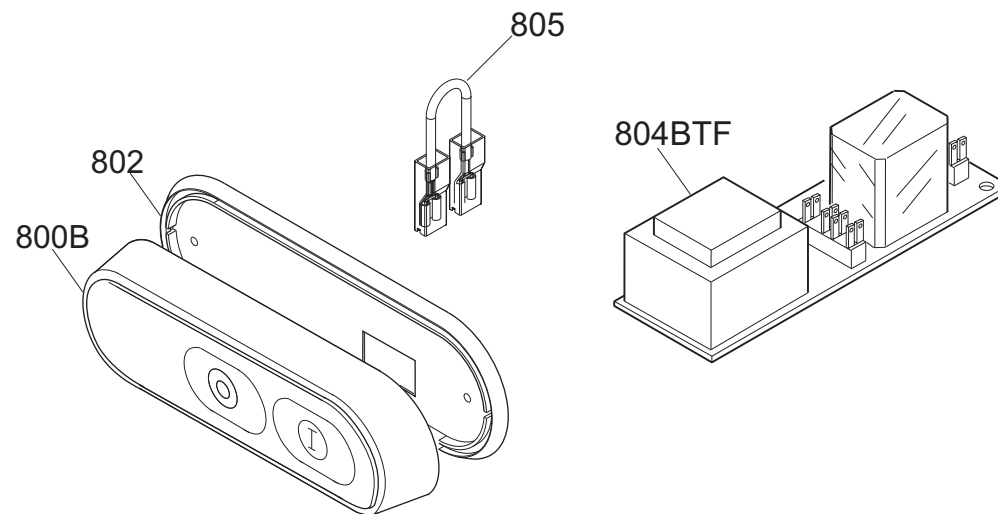
## Ver. 1-PHASE

Da / From 12.2018

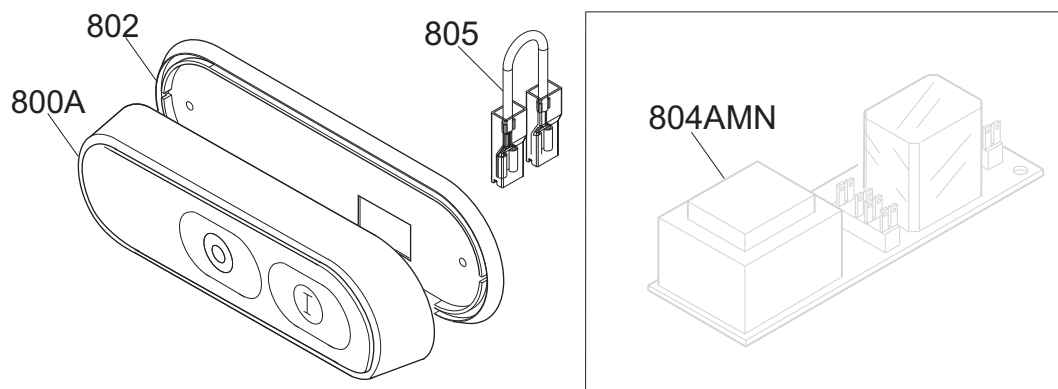


## Ver. 3-PHASE

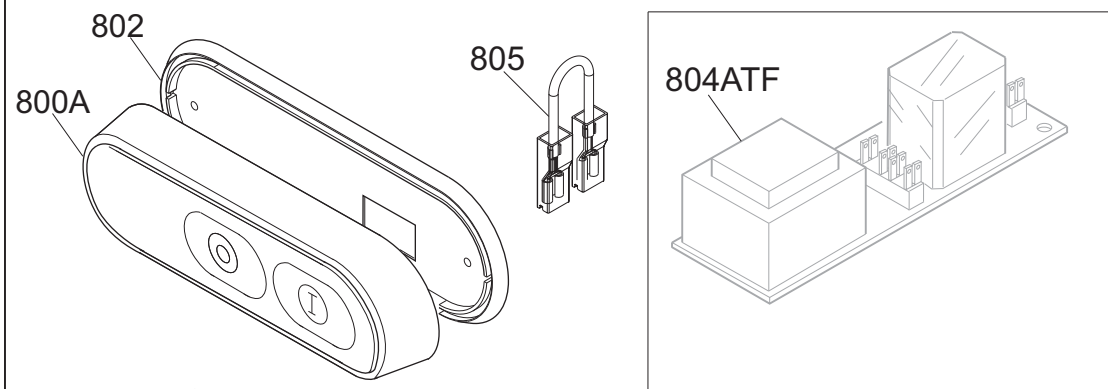
Da / From 12.2018



Fino a / Until 11.2018



Fino a / Until 11.2018



**RIF. 804AMN FUORI PRODUZIONE**  
**ORDINARE RIF. 800B+804BMN**

**REF. 804AMN NO MORE AVAILABLE**  
**PLEASE ORDER REF. 800B+804BMN**

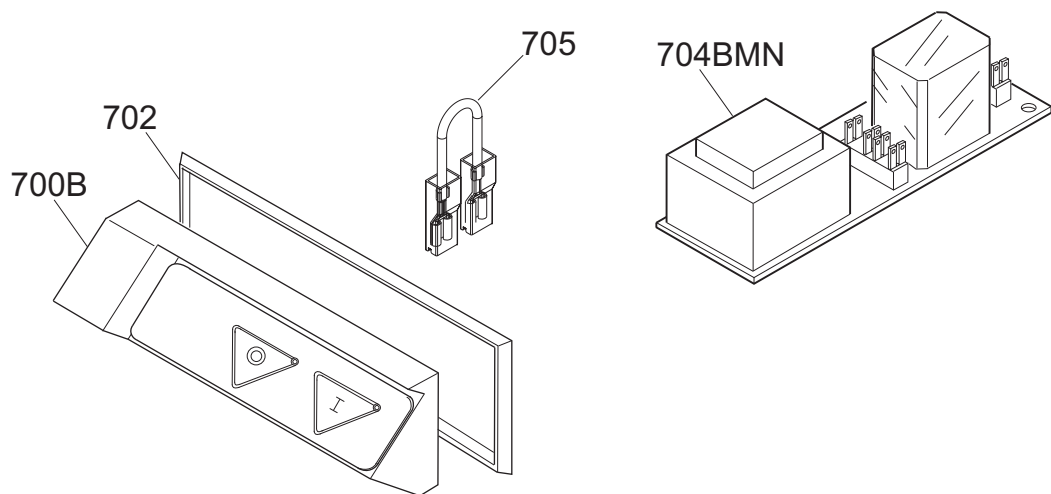
**RIF. 804ATF FUORI PRODUZIONE**  
**ORDINARE RIF. 800B+804BTF**

**REF. 804ATF NO MORE AVAILABLE**  
**PLEASE ORDER REF. 800B+804BTF**

Ref	Code	Name
800B BN	19702022.18	CORPO PUL.BIANCA NEUTRA MONTATA Y18
800B NR	19702004.18	PUSH-BUTTON PANEL, ROUNDED Y18
802	19563034	GASKET FOR ROUND CONTROL PANEL
804BMN	19411007.18	PCB TUV Y18 230/50/1
804BTF	19411008.18	PC BOARD 220-380 3-PHASE Y18
805	19410742	WIRE FOR BRIDGE PCB SID.UL

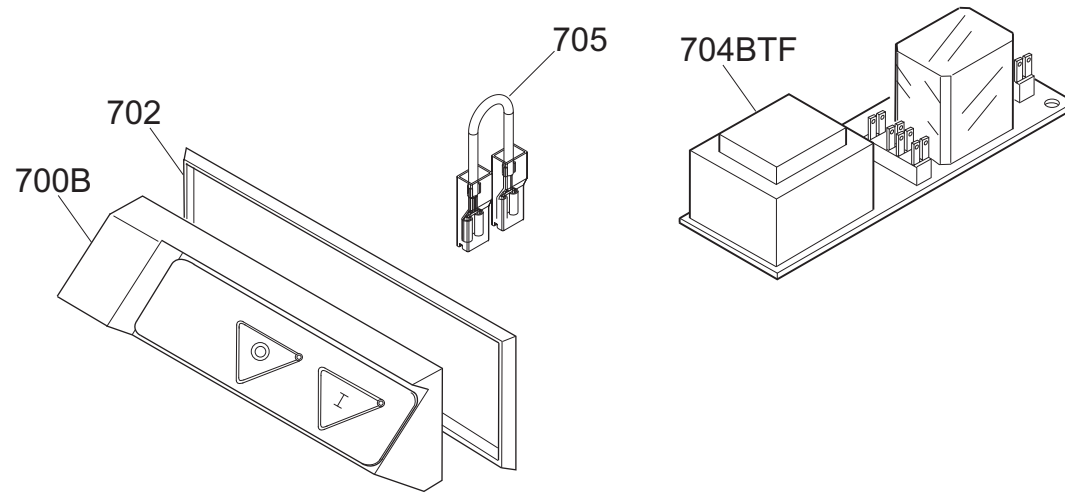
## Ver. 1-PHASE

Da / From 12.2018

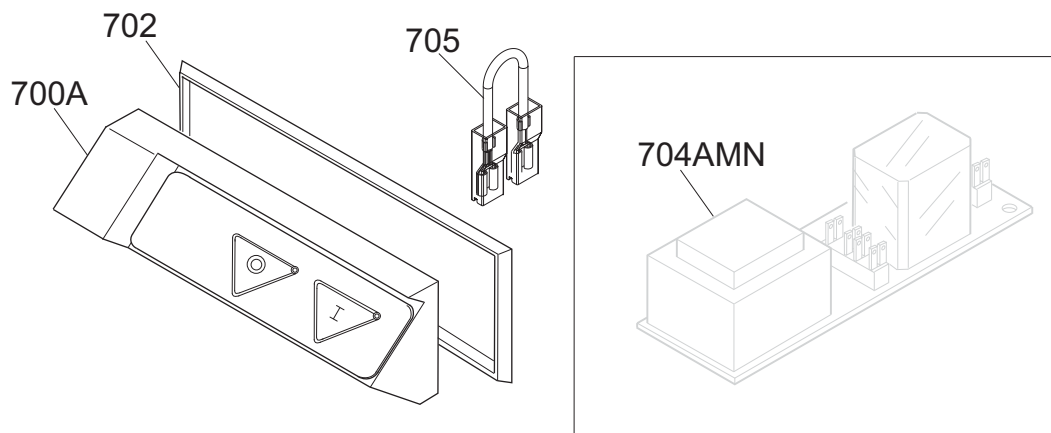


## Ver. 3-PHASE

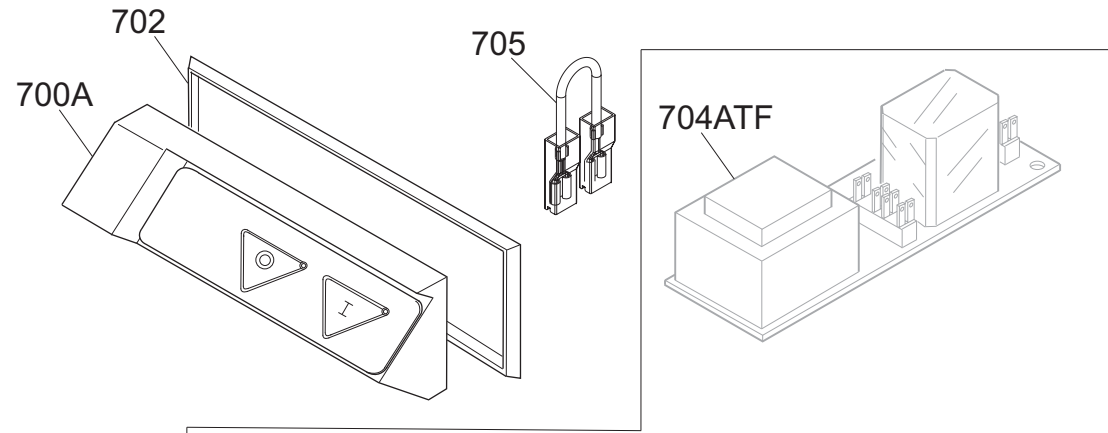
Da / From 12.2018



Fino a / Until 11.2018



Fino a / Until 11.2018



**RIF. 704AMN FUORI PRODUZIONE**  
**ORDINARE RIF. 700B+704BMN**

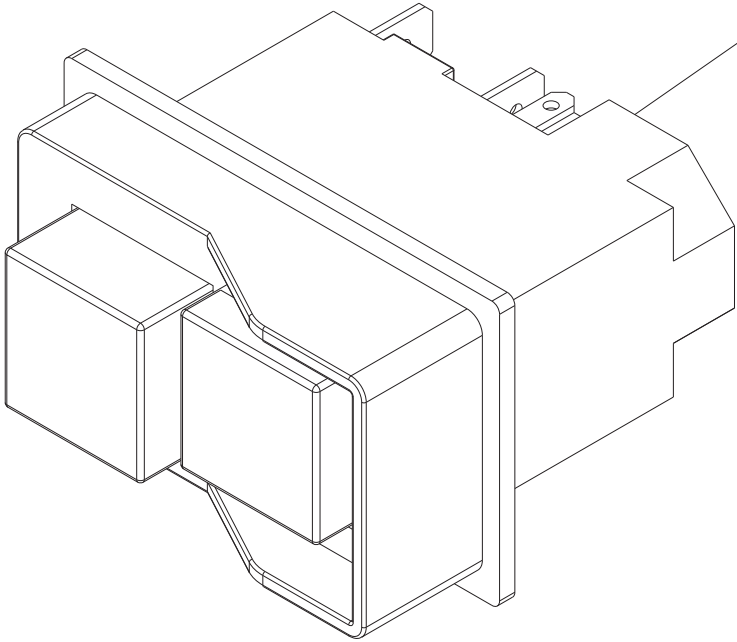
**REF. 704AMN NO MORE AVAILABLE**  
**PLEASE ORDER REF. 700B+704BMN**

**RIF. 704ATF FUORI PRODUZIONE**  
**ORDINARE RIF. 700B+704BTF**

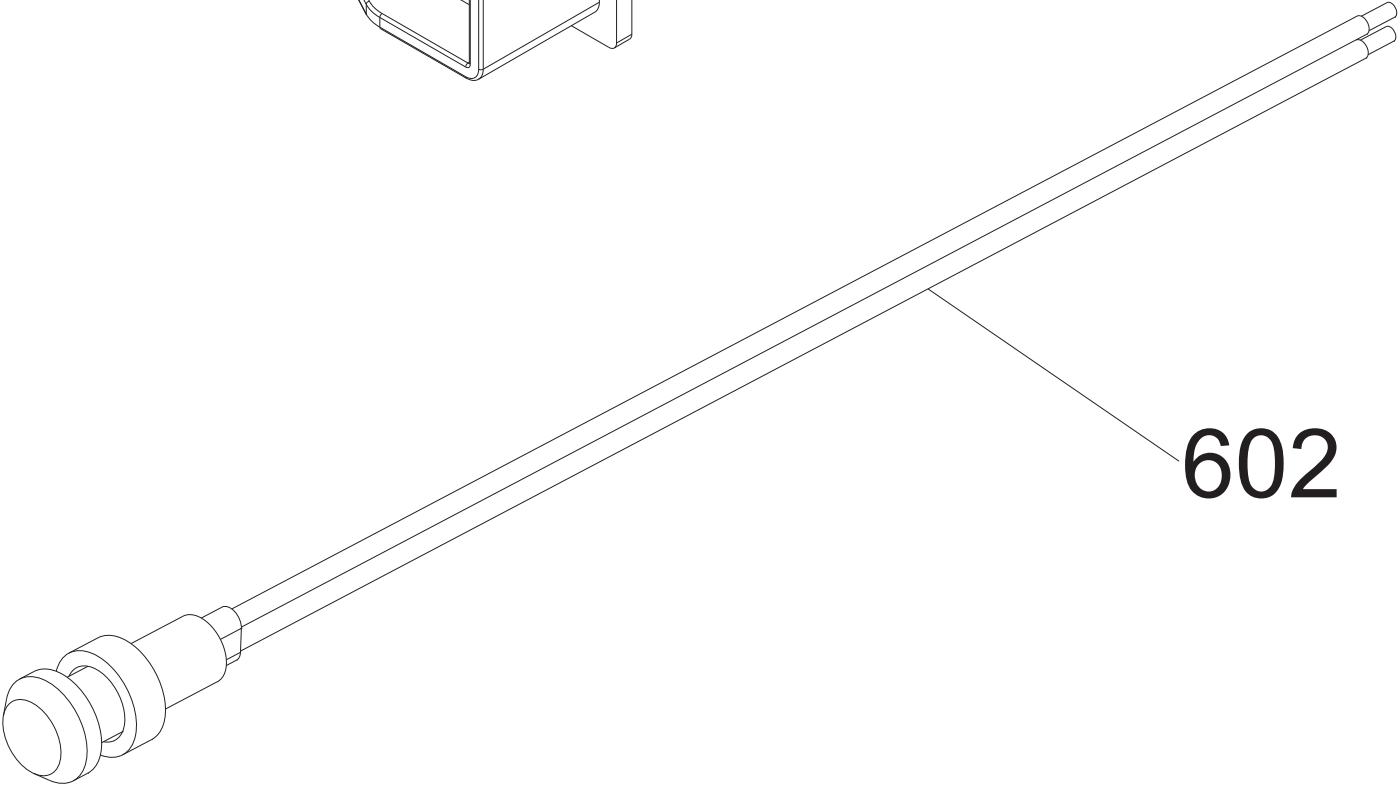
**REF. 704ATF NO MORE AVAILABLE**  
**PLEASE ORDER REF. 700B+704BTF**

Ref	Code	Name
700A	19702000	PUSH-BUTTON PANEL SMALL""
700B	19702000.18	PUSH-BUTTON PANEL, SMALL, Y18
702	19563030	GASKET FOR SMALL CONTROL PANEL
704BMN	19411007.18	PCB TUV Y18 230/50/1
704BTF	19411008.18	PC BOARD 220-380 3-PHASE Y18
705	19410742	WIRE FOR BRIDGE PCB SID.UL

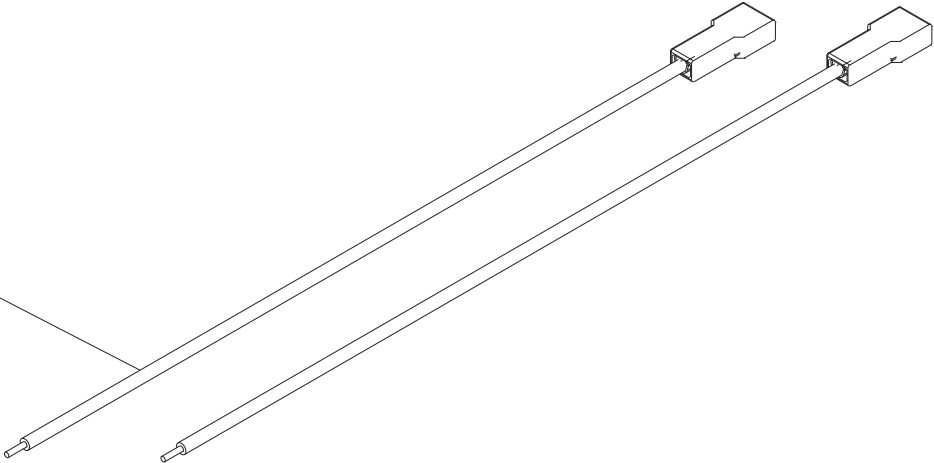
600



602



603



Ref	Code	Name
600-230V	19410152	ON/OFF SWITCH 230 V
600-380V	19410153	INTERRUTTORE + BOBINA V.380 TF
602	19410406	380/220V PILOT LAMP
603	19410750	INDICATOR LIGHT CABLE

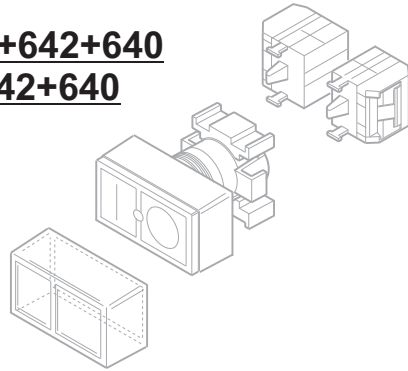


## Fino a / Until 2005

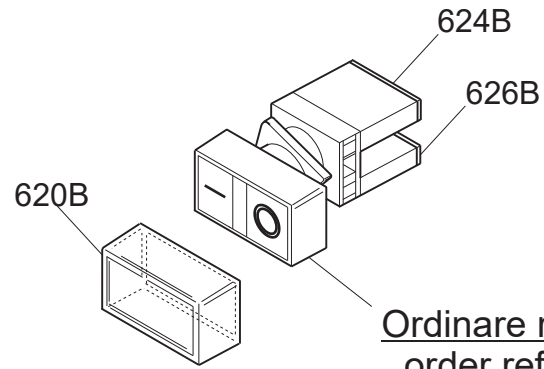
Fuori produzione/Out of production

**Ordinare Rif. 644+642+640**

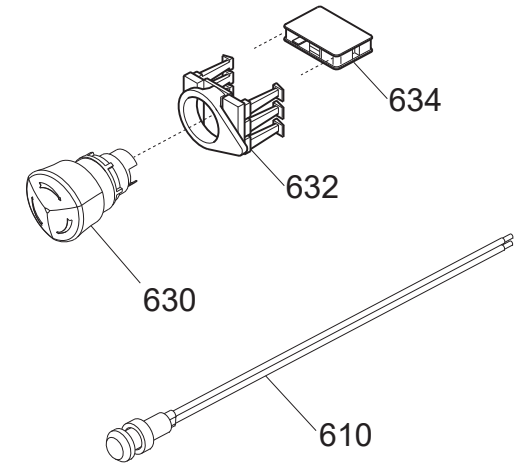
**Order Ref. 644+642+640**



## Da / From 2006

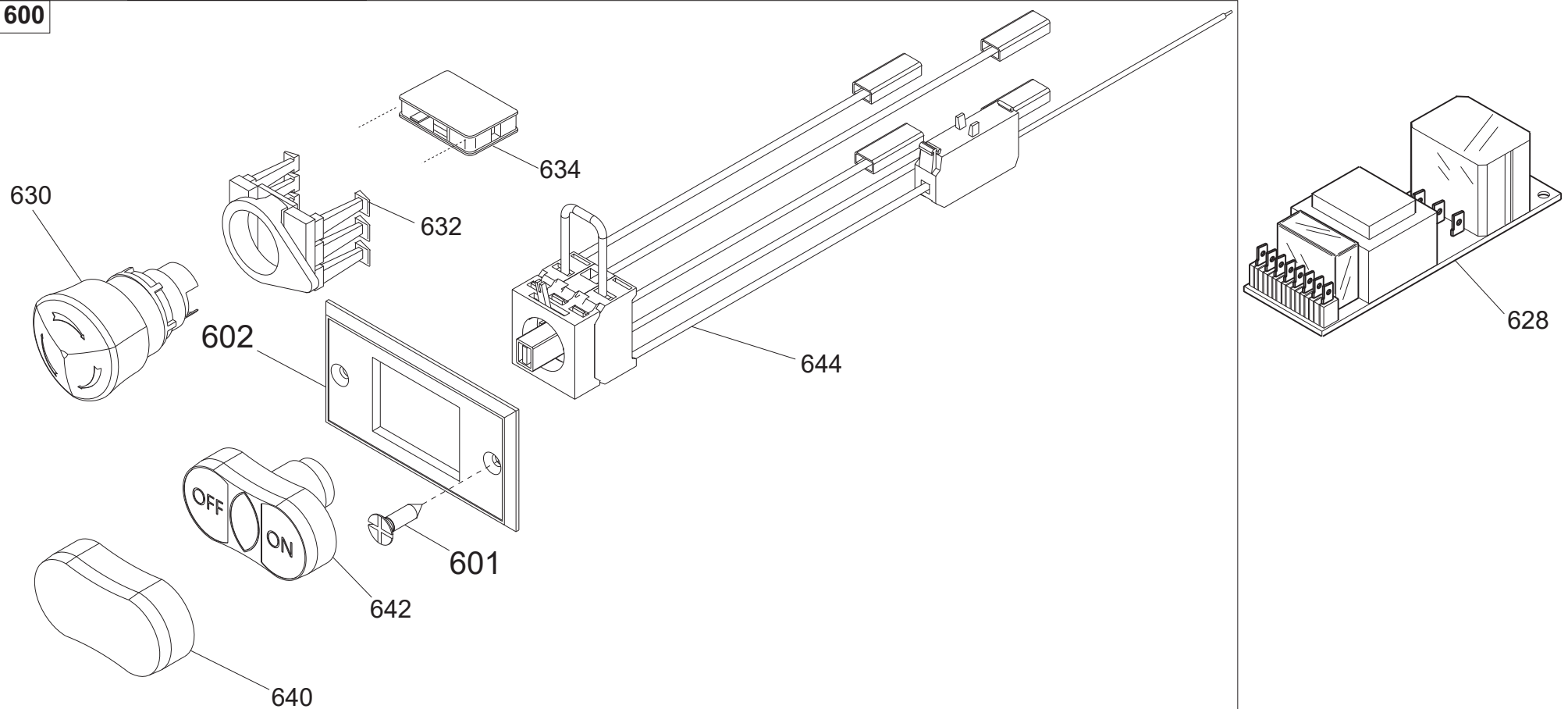


**Ordinare rif. 642+644**  
**order ref. 642+644**



## From 2018.06

600



Ref	Code	Name
600	19410717.17	CABL.ALIM'AF'COM.PULS.0-1 Y17
601	IX279812.9009.5	SELF-TAP. SCREW TC+ DIN 7981 D 2,9X9,5
602	19563173	FRAME, SWITCH COMELUX
610	19410406	380/220V PILOT LAMP
620B	00-OUT	FUORI PRODUZIONE-OUT OF PRODUCTION
624B	19410110.06	RED SWITCH PART
626B	19410111.06	GREEN SWITCH PART
628	19411000.12	PCB LED SID 230/400
628 24V	19411014	SCHEDA TAGLIORETTI 24 V
628B	19411000.12	PCB LED SID 230/400
630	19410148.07	EMERGENCY RED BUTTON
632	19410149.07	HOLDER FOR EMERGENCY BUTTON
634	19410147.07	CONTACT FOR EMERGENCY BUTTON
640	19563107.17	PROTEZIONE INTERR. BPPD
642	19410115.17	ON OFF PUSH BUTTON - BP2LSIM1W
644	19410717C.17	CABL.>C3
646	19532026.17	PIASTRINA SUPPORT.INT.FUNGO MRRY17