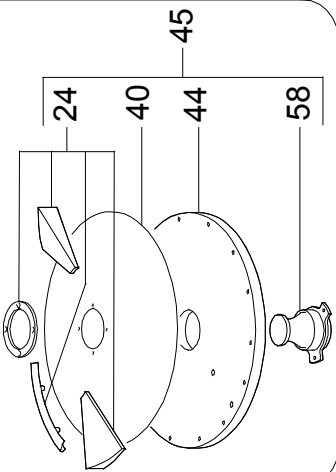
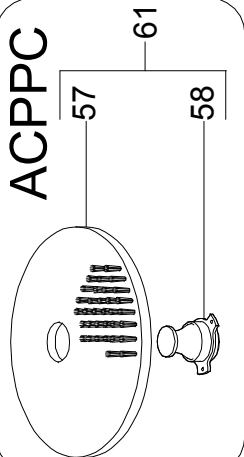


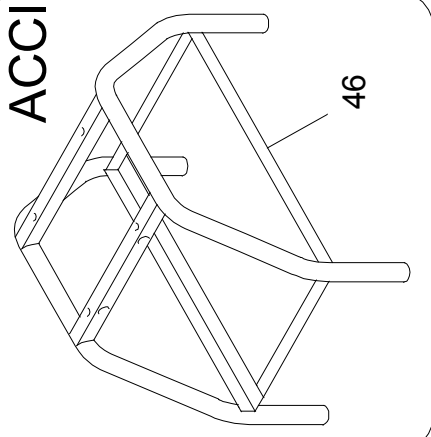
ACPTA



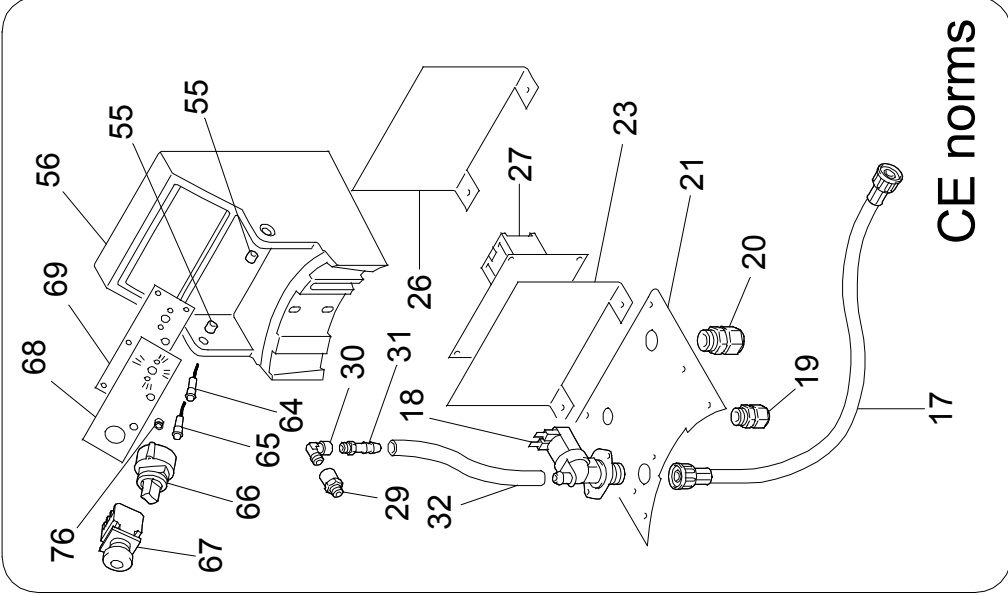
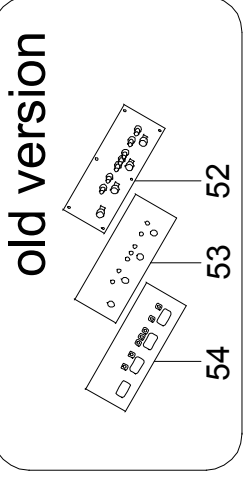
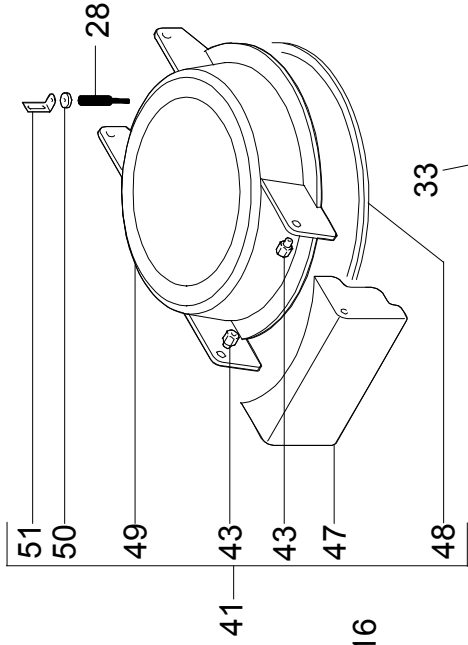
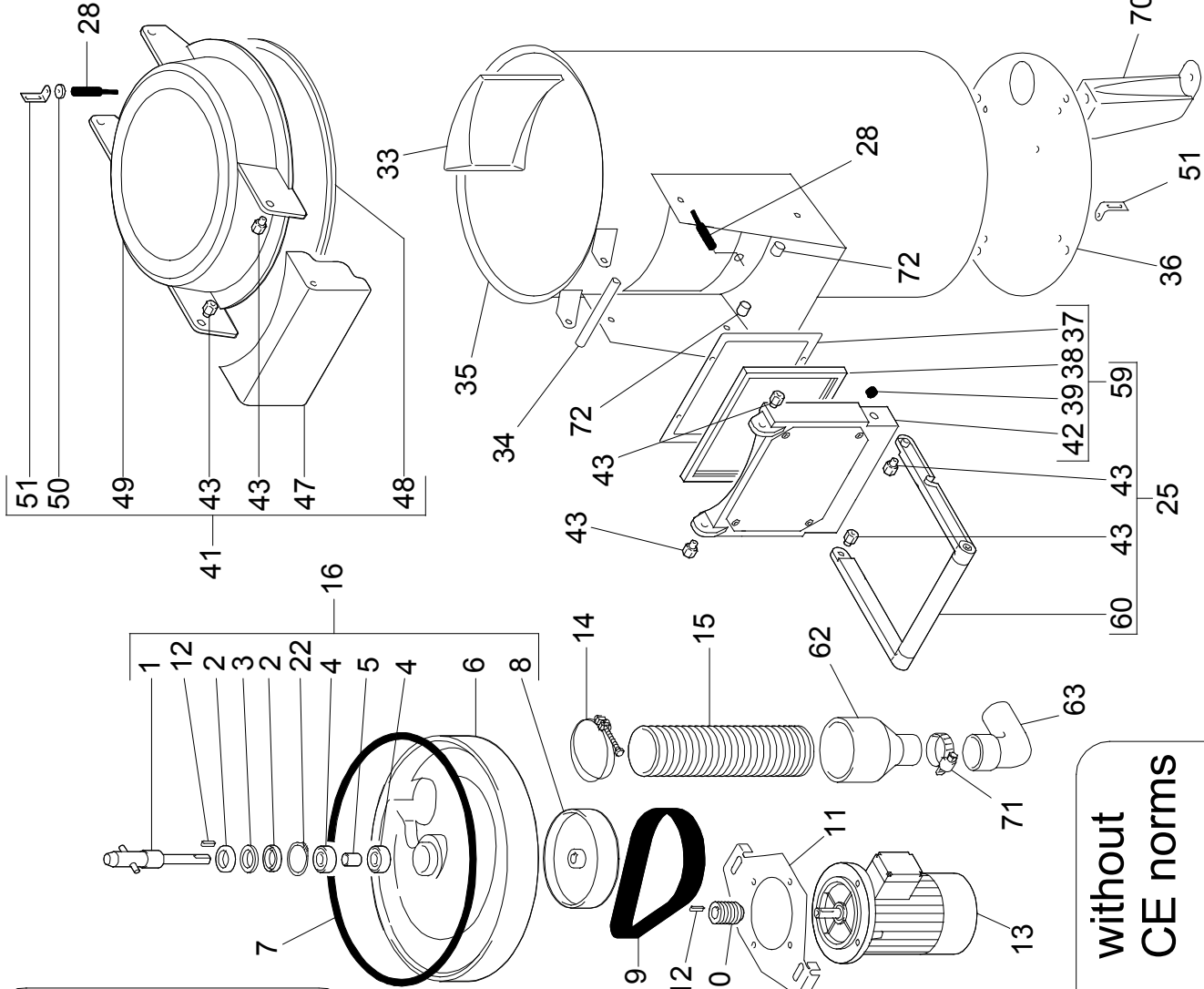
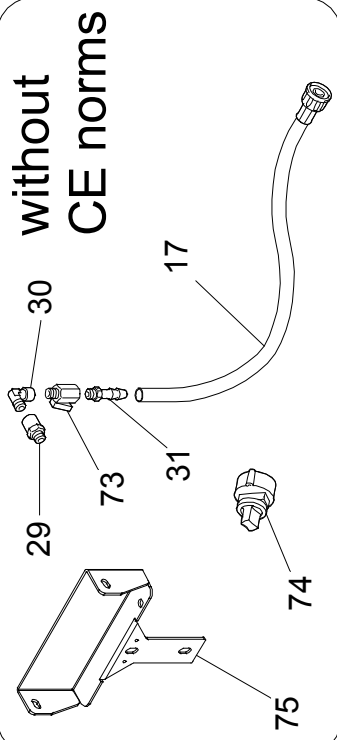
ACPPC



ACCI



without CE norms



CE norms

PPN-PPF-LCN-LCF10-18M

Pos. Ref.	Codice Code	Caratteristiche Features	Descrizione Description
1	36G6590		Albero Shaft
2	SL3943	ø28xø42x7	Paraolio Oil seal
3	3190830		Rosetta Washer
4	36F0090	6302 2RS	Cuscinetto Bearing
5	36G5950		Boccola Bush
6	3600870		Fondo Bottom
7	3151750		Guarnizione Gasket
8	36G6600		Puleggia Pulley
9	36G6610	● Poly V-559 j12	Cinghia Belt
10	36G6620	(PPN-PPF10-18)	Puleggia Pulley
10	36G0030	(LCN-LCF10-18)	Puleggia Pulley
11	35V1230		Staffa Bracket
12	SL0010	5x5x20	Linguetta Key
13	SL0040	400V/3Ph/50Hz (PPN-PPF10)	Motore Motor
13	SL0041	230V/1Ph/50Hz (PPN-PPF10)	Motore Motor
13	SL1041	400V/3Ph/50Hz (PPN-PPF18)	Motore Motor
13	SL1042	230V/1Ph/50Hz (PPN-PPF18)	Motore Motor
13	SL1521	400V/3Ph/50Hz (LCN-LCF10)	Motore Motor
13	SL1523	230V/1Ph/50Hz (LCN-LCF10)	Motore Motor
13	SL1522	400V/3Ph/50Hz (LCN-LCF18)	Motore Motor
13	SL1524	230V/1Ph/50Hz (LCN-LCF18)	Motore Motor
13	32M4080	400V/3Ph/50Hz (2 speed - PPN-PPF10) 01/01/05 f.p.(*)	Motore Motor
13	32M4050	400V/3Ph/50Hz (2 speed - PPN-PPF18) 01/01/05 f.p.(*)	Motore Motor
14	3140460	ø88+ø96	Fascetta Clip
15	SL2721	ø90 (PPN-LCN)	Tubo Tube
15	35X1150	ø90 (PPF-LCF)	Tubo Tube
16	SA1064	Assembly	Fondo Bottom
17	33M0010	3/4" F-F	Tubo Tube
18	33D1371	230V/50-60Hz 3/4" M	Elettrovalvola Electro-valve
19	SL1757	PG13,5	Pressacavo Cable clamp
19	32D0360	01/01/04 f.p.(*)	Pressacavo Cable clamp
20	32D1090	PG21	Pressaguaina Sheathing clamp
21	SL2939		Piastra Plate
21	35Q8620	01/01/04 f.p.(*)	Piastra Plate
22	SL2056	ø42	Seeger Seeger
23	SL2785R0		Piastra Plate
23	35V8601	01/01/04 f.p.(*)	Divisorio Dividing head
24	SA3460	plastic (PTA)	Kit disco Disk set
24	SA3450	28/01/08 f.p.(*)	Kit disco Disk set
25	SA1072	Assembly	Sportello Door
26	35M8840		Copertura Covering
27	SL4338	● 110V 60Hz	Scheda elettronica Electronic card
27	SL2921	● 230V/400V-50/60Hz	Scheda elettronica Electronic card
27	32Z4840	01/01/04 f.p.(*)	Teleruttore Remote control switch
28	32W3240	● CE norms	Microinterruttore Microswitch
29	33Q6210	1/4" M-F	Raccordo Nipple
30	33Q6040	L 90° 1/4" M-F	Raccordo Nipple
31	33Q5180	1/4" M ø12	Portagomma Cluch
32	33M0960	ø12	Tubo Tube
33	36D9660		Saltarello Leaper
34	36G2040		Perno Pivot
35	30W2930	(PPN-PPF-LCN-LCF10)	Carcassa Housing
35	SL2694	(PPN-PPF-LCN-LCF18)	Carcassa Housing
36	SL3369	(PPN-LCN10-18)	Fondo Bottom
36	35D7790	(PPF-LCF10-18)	Fondo Bottom
37	36C0011		Telaio Frame
38	37Q7860		Guarnizione Gasket
39	3600160	● CE norms	Magnete Magnet
40	SL3544	●	Tela abrasiva Emery cloth
40	SL2494	28/01/08 f.p.(*)	Tela abrasiva Emery cloth
41	6005380	Assembly	Coperchio Cover
42	SA3400	Assembly	Sportello Door
43	36D9550		Boccola Bush
44	SL3543		Disco Disk
44	SL2135	28/01/08 f.p.(*)	Disco Disk
45	ACPTA	Assembly (PPN-PPF10-18)	Disco patate Potato disk
46	ACCI	Assembly (PPF-LCF10-18)	Telaio Frame
47	36M5090		Maniglia Handle
48	SL2871	●	Guarnizione Gasket
49	36Z6501		Coperchio Cover
50	3600310	● CE norms	Magnete Magnet
51	35V6381		Staffa Bracket
52	32Z3030	01/01/04 f.p.(*)	Scheda elettronica Electronic card
53	30A3560	01/01/04 f.p.(*)	Pannello Panel
54	SL1504	01/01/04 f.p.(*) (PPN-PPF-LCN-LCF10-18)	Etichetta Label
54	SL1505	01/01/04 f.p.(*) (2 speed - PPN-PPF-LCN-LCF10-18)	Etichetta Label

55	36D7310			Boccola	Bush
56	36Z0690			Scatola	Box
57	36G6880			Disco cozze	Mussel disk
58	SL3267			Pomello	Knob
59	6000930		Assembly	Sportello	Door
60	SA1093		Assembly	Maniglia	Handle
61	ACPPC		Assembly (LCN-LCF10-18)	Disco cozze	Mussel disk
62	SL2720		ø100-ø50 (PPN-LCN10-18)	Riduzione	Reduction
63	SL2719		ø50 (PPN-LCN10-18)	Gomito	Bend
64	32W2970	●	230V 2W green	Lampada	Lamp
65	32W3280	●	230V 2W white	Lampada	Lamp
66	SA1087	●		Timer	Timer
67	SA1088	●	Unstable	Pulsante	Push button
68	SL3705			Etichetta	Label
68	SL3530		01/12/08 f.p.(*)	Etichetta	Label
69	SL3693			Pannello	Panel
69	30A3620		01/12/08 f.p.(*)	Pannello	Panel
70	SL3223	●	(PPN-LCN10-18)	Piedino	Foot
71	SL2745		ø50+ø70 (PPN-LCN10-18)	Fascetta	Clip
72	SL2349			Perno	Pivot
73	SL1622		1/4" M-F	Rubinetto	Cock
74	SA1092		Assembly	Timer	Timer
75	SL2904			Staffa	Bracket
76	SL0772		V-8-S	V-ring	V-ring

(*): fuori produzione / out of production

● : ricambio consigliato / spare part suggested