

# Apach

## COOK *line*

Catalogo parti di ricambio valido  
dalla matricola 0000001 (31.10.2006) ad oggi (10.03.2023)

Catalogue pieces detachees  
valable à partir du numero de Série n. 0000001 (31.10.2006) jusqu'à aujourd'hui  
(10.03.2023)

Ersatzteilkatalog  
gültig ab Serien-Nr. 0000001 (31.10.2006) bis heute (10.03.2023)

Spare parts catalogue  
valid from serial no. 0000001 (31.10.2006) up today (10.03.2023)

Catálogo de peças de reposição  
válido do número de série 0000001 (31.10.2006) até hoje (10.03.2023)

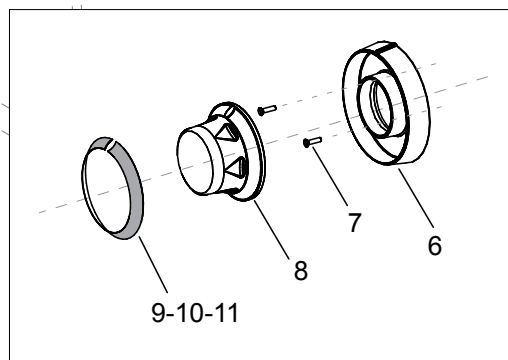
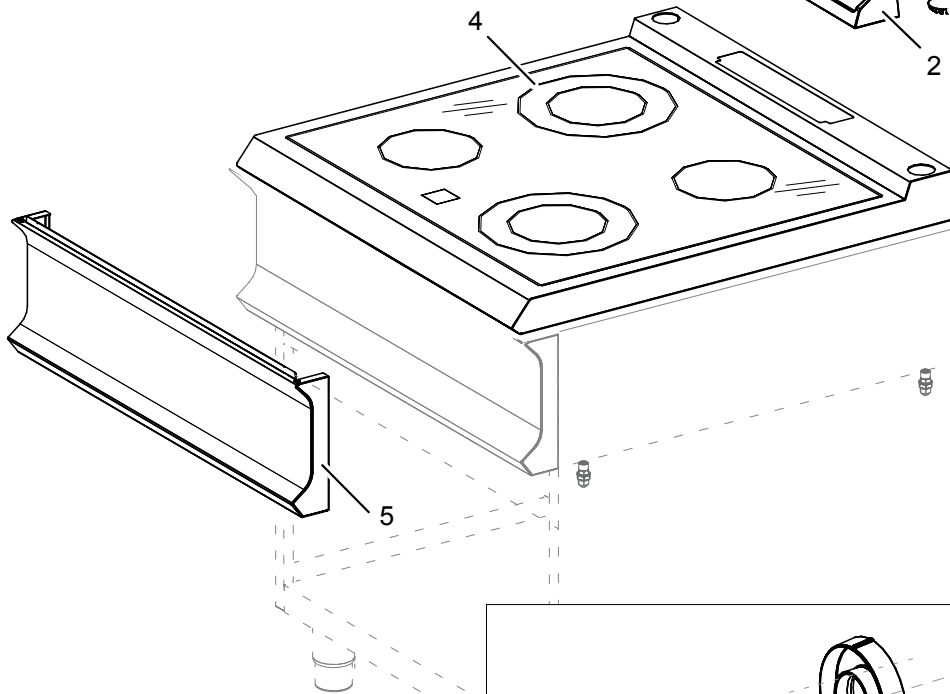
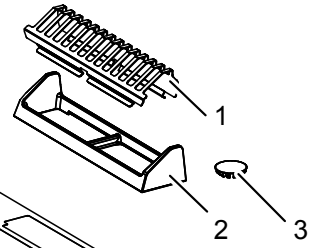
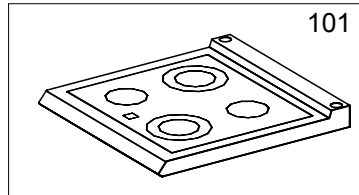
Le informazioni sono considerate non vincolanti. Le immagini rappresentate sono puramente indicative. Il produttore si riserva il diritto di apportare modifiche in qualsiasi momento senza preavviso.

Les informations données ne sont pas contraignantes. Les images montrées sont à titre indicatif. Le producteur se réserve le droit d'apporter des modifications sans préavis.

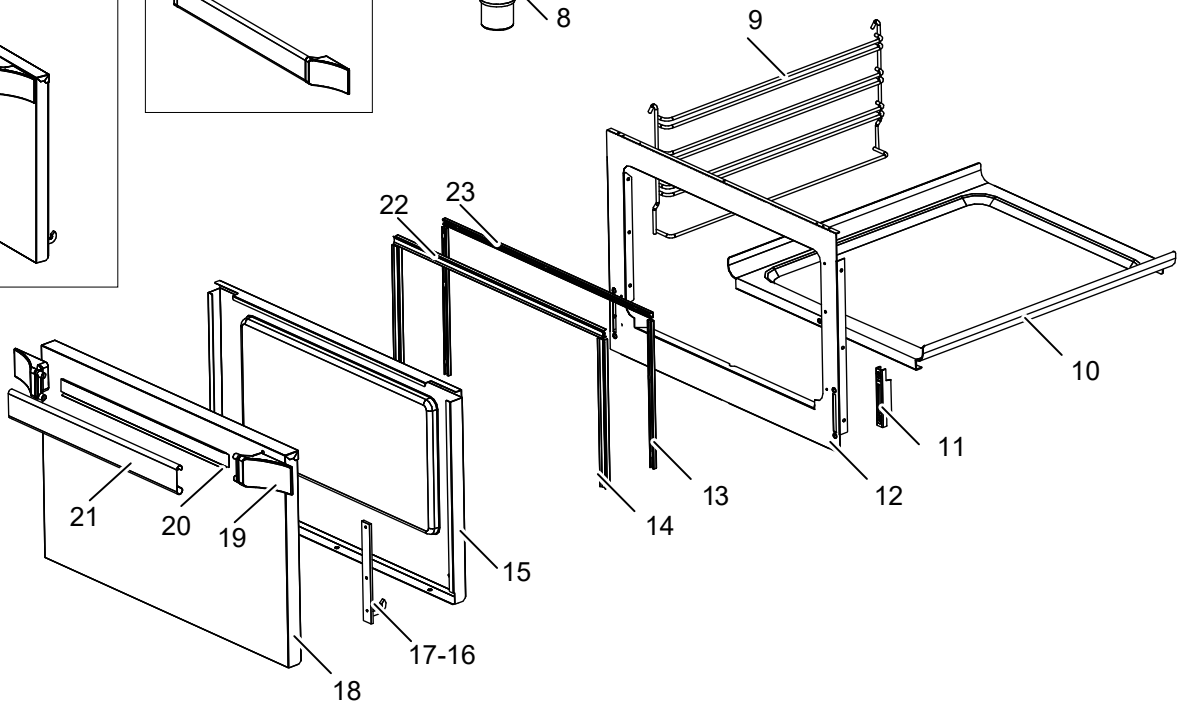
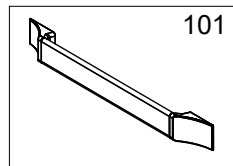
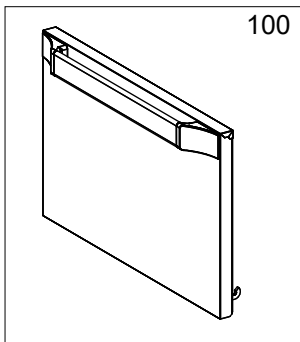
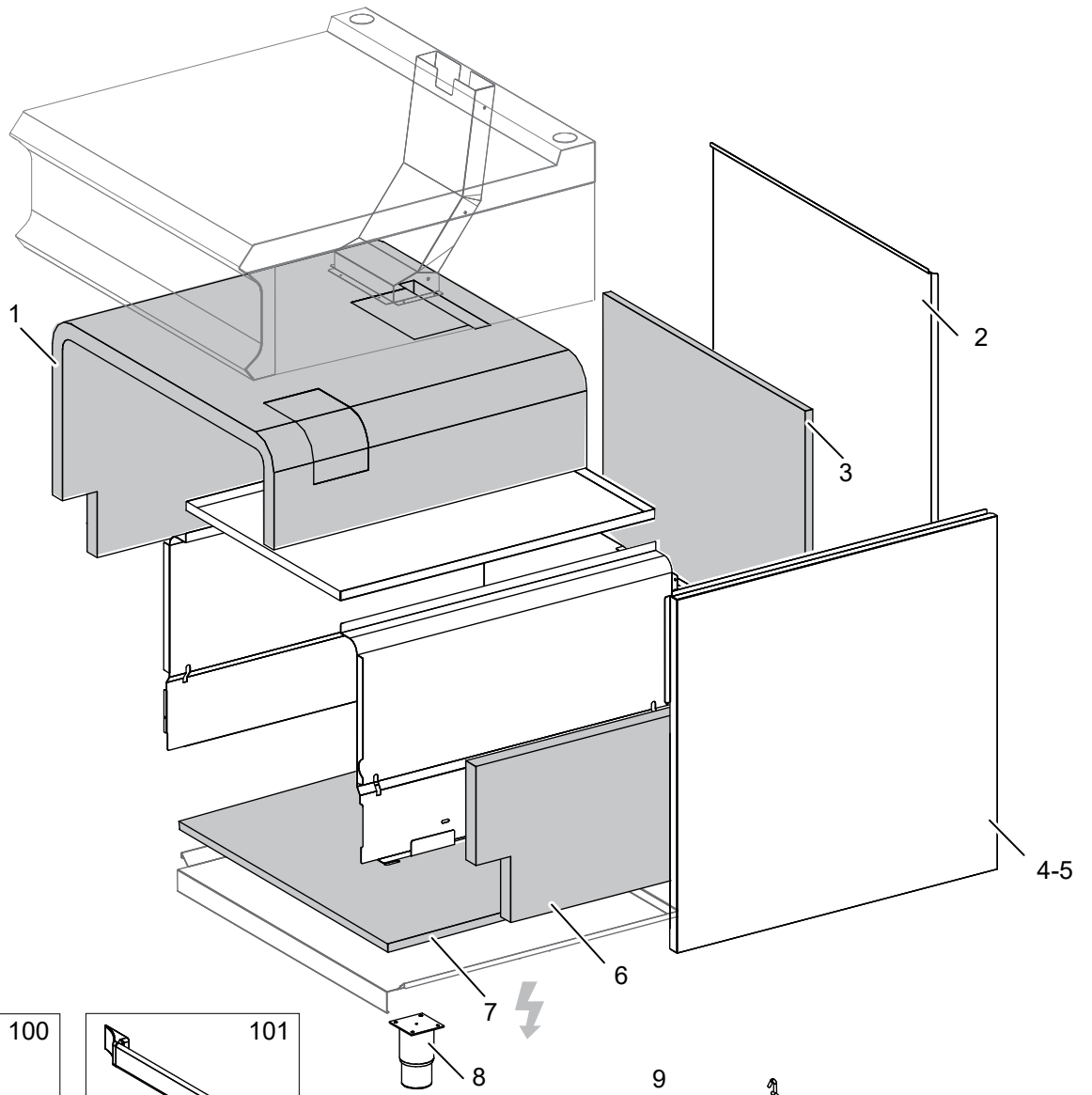
Die im vorliegenden Dokument aufgeführten Informationen und Bilder sind unverbindlich. Der Hersteller behält sich das Recht vor, jederzeit ohne vorherige Ankündigung Änderungen vorzunehmen

Info and drawing could be slightly different from reality and they cannot be considered as compelling. Manufacturer can modify info anytime without forewarning.

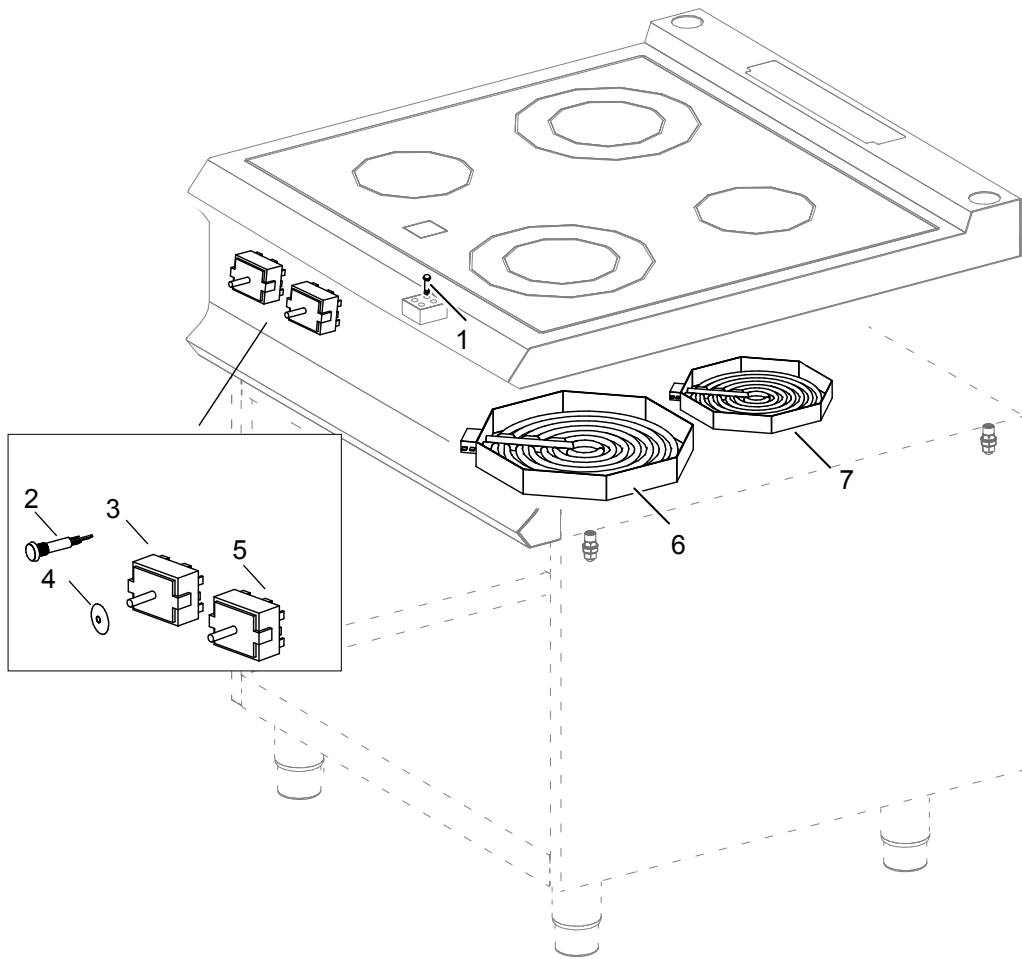
As Informações e desenhoS podem estar um pouco diferente da realidade e são puramente indicativas. O fabricante pode modificar estas informações a qualquer momento sem aviso prévio.



<b>Nr.</b>	<b>Code</b>	<b>Title</b>	<b>Recommended</b>
1.	202046	CHIMNEY GRILL	
3.	200787	STOPPER	
4.	202038	WORK PLANE	
5.	202262	FRONT PANEL	
8.	202200	COMMUTATOR KNOB	
9.	200480	SWITCH RING 2,5 KW	
10.	200479	SWITCH RING 1,8 KW	
11.	200487	OVEN RING	
100.	ECS7048	RECOMMENDED PARTS FOR VC77FE	
101.	RIC0005134	COVER UNIT WITHOUT ELECTRICAL COMPONENTS	

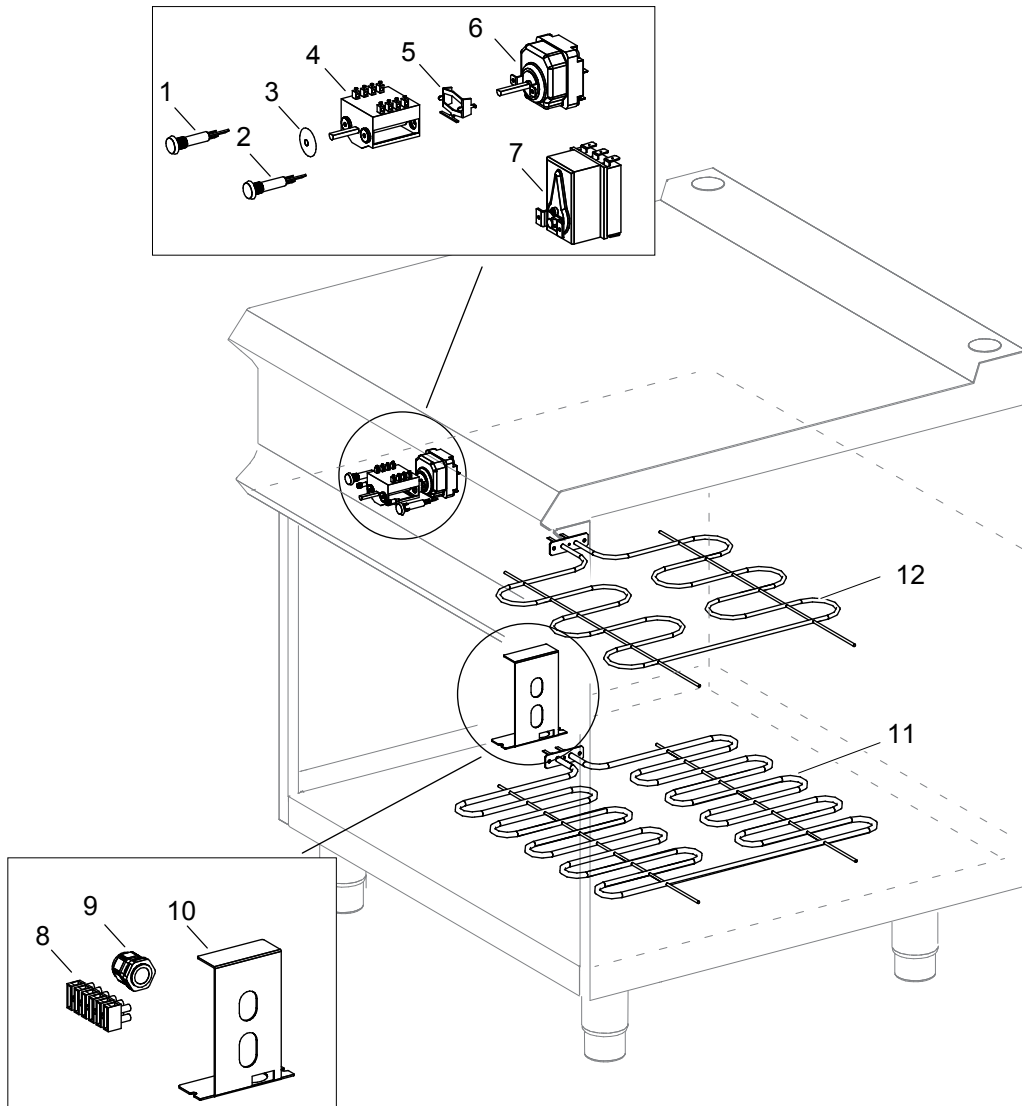


<b>Nr.</b>	<b>Code</b>	<b>Title</b>	<b>Recommended</b>
1.	166251	INSULATING PANEL LEFT	
2.	200112	BACK SIDE	
3.	167386	INSULATING PANEL	
4.	200031	LATERAL SIDE RIGHT	
5.	200032	LATERAL SIDE LEFT	
6.	166252	INSULATING PANEL UPPER RIGHT	
7.	RTCU700445	INSULATING PANEL BOTTOM	
8.	RTCU700277	FOOT	
9.	167223	OVEN'S LATERAL GUIDES	
10.	167218	OVEN PLATE	
11.	RTCU900004	SUPPORT FOR OVEN HINGE	
12.	200098	FRONT PANEL	
13.	184105	SIDE SEAL PROFILE	✓
14.	163888	LATERAL GASKET FOR OVEN DOOR	✓
15.	200063	OVEN DOOR COUNTER	
16.	RTCU900027	LEFT OVEN DOOR HINGE	✓
17.	RTCU900026	RIGHT HINGE DOOR	✓
18.	200062	OVEN DOOR	
19.	201706	HANDLE TERMINAL	
21.	202052	HANDLE	
22.	164738	TOP GASKET	✓
23.	184110	UPPER OVEN GASKET PROFILE	✓
100.	RIC0005125	OVEN DOOR COMPLETE	
101.	RIC0005126	HANDLE OVEN	



3

<b>Nr.</b>	<b>Code</b>	<b>Title</b>	<b>Recommended</b>
1.	RIC0004771	HEAT LIGHT	✓
2.	166465	GREEN WARNING LIGHT	✓
3.	RIC0001299	ENERGY CONTROL 1,8KW	✓
4.	RTCU800185	GASKET FOR COMMUTATOR ROD	✓
5.	RIC0001010	ENERGY CONTROL 2,5KW	✓
6.	RIC0001294	ELECTRIC PLATE 2,5 KW	✓
7.	RIC0001295	ELECTRIC PLATE 1,8KW	✓





<b>Nr.</b>	<b>Code</b>	<b>Title</b>	<b>Recommended</b>
1.	166465	<i>GREEN WARNING LIGHT</i>	✓
2.	166466	<i>ORANGE LAMP LIGHT</i>	✓
3.	RTCU800185	<i>GASKET FOR COMMUTATOR ROD</i>	✓
4.	167516	<i>COMMUTATOR</i>	✓
5.	RTCU900112	<i>HIGH BRACKET COMMUTATOR/THERMOSTAT</i>	✓
6.	RTCU600067	<i>WORKING THERMOSTAT</i>	✓
7.	RTCU800152	<i>SAFETY THERMOSTAT</i>	✓
8.	RTBF900045	<i>TERMINAL BOARD</i>	
9.	RTBF800138	<i>CHOCK</i>	
10.	200138	<i>TERMINAL BLOCK SUPPORT</i>	
11.	167379	<i>OVEN HEATING ELEMENT 3,8KW</i>	✓
12.	167380	<i>GRILL HEATING ELEMENT 1,5KW</i>	✓