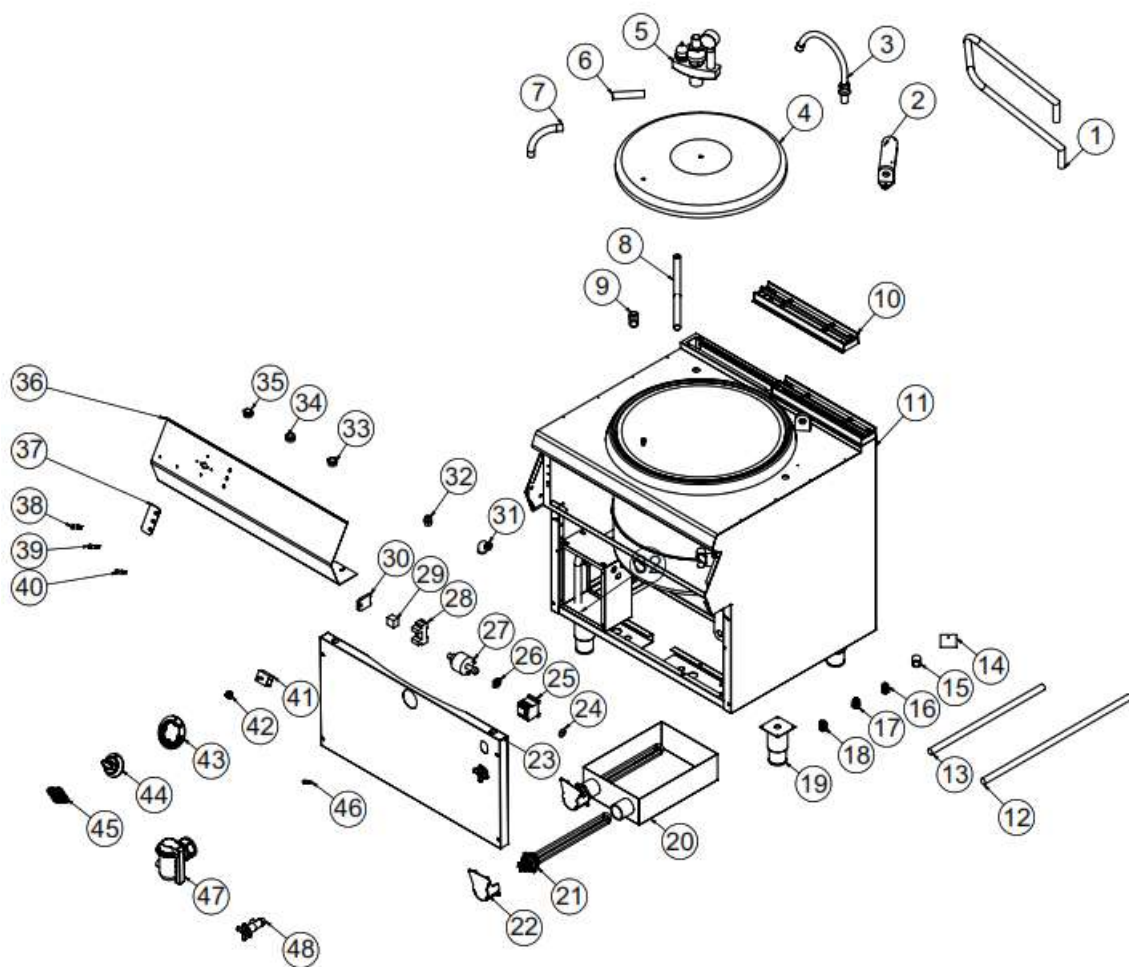


# КОТЕЛ ЭЛЕКТРИЧЕСКИЙ 700 СЕРИИ TATRA TEK.87



## КОТЕЛ ЭЛЕКТРИЧЕСКИЙ 700 СЕРИИ ТАТРА ТЕК.87

1	PIPE 1100MM	YBR-KNX.KTG-KS-0008	
2	MECHANISM KIT	M.MUH-013	
3	SINK BAYARYASI	JP.M.MEK-TES-MSL-004	
4	POT	M.MTS-KNX-KTG-015	
5	PRESSURE GAUGE GROUP	M.MUH-011	
6	HANDLE	M.PLS-LST-001	
7	HANDLE 300 MM	YBR-KNX.KTG-KS-0004	
8	PIPE 170MM	YBR-KNX.KTG-KS-0006	
9	1/2 BRASS T PIPE	M.MEK-TES-SRI-001-001	
10	40 CM X 7 CM CHIMNEY	JP.M.AKS-DKM-KZN-013	
11	BODY	-	
12	1/2-1/2 100 CM GAS FLEX	M.GAZ-TES-SPR-005	
13	1/2-1/2 50 CM GAS FLEX PIPE	M.GAZ-TES-SPR-002	
14	WATER LEVEL CONNECTION 80MM	YTL-KNX.KTG-KS-0002	
15	MASON 1/2	M.MEK-TES-INX-002	
16	PG-16 CABLE FITTING	JP.M.ELK-RKR-PLS-001	
17	PG-11 CABLE FITTING	M.ELK-RKR-PLS-003	
18	PG-21 CABLE FITTING	JP.M.ELK-RKR-PLS-008	
19	15 CM LEG	M.AKS-AYK-INX-001	
20	RESISTANCE SHEET METAL	YSC-KNX.PG7-LZ-0523	
21	380/220 V 3*2500W RESISTANCE	M.ELK-RZS-BRU-003-001	
22	RESISTANCE COVER	M.PLS-OZL-005	
23	FRONT COVER SHEET	YSC-KNX.PG7-LZ-0524	
24	ORING	M.PLS-SLK-004	
25	LC1D12M7 CONDUCTOR	JP.M.ELK-KNT-KNT-031	
26	NO:2 25 MM TERMINAL	M.ELK-KLM-RKL-4*4-SRY	
27	SWITCH	M.MUH-BAS-001	
28	8A 230 V AC RELAY	JP.M.ELK-KNT-ROL-001	
29	8A 230 V AC RELAY SOCKET	JP.M.ELK-KNT-ROL-002	
30	RELAY	JP.M.ELK-KNT-ROL-025	
31	BRACKET	JP.M.GAZ-TES-GLV-002	
32	CONNECTION 1/2	JP.M.MEK-TES-SRI-014	
33	REDUCTION BRASS 3/4-1/2	M.GAZ-PLT-PLC-006	
34	REDUCTION 3/8 - 1/2	M.GAZ-TES-SRI-013	
35	REDUCTION 1/2-1/4	M.GAZ-TES-SRI-027	
36	FRONT PANEL LEATHER	YSC-KNX.PG7-LZ-0521	
37	TICKET	M.AKS-ETK-LKS-028	
38	WARNING LAMP	M.ELK-LMB-SNY-001	
39	SIGNAL LAMP	M.ELK-LMB-SNY-002	
40	WARNING LAMP	JP.M.ELK-LMB-SNY-003	
41	SWITCH 0-1	M.ELK-SLT-EGO-001	
42	BUTTON SOCKET 6 MM	M.AKS-DGM-SKT-002	
43	BUTTON BUFFER	M.AKS-DGM-EMP-018	
44	BUTTON	M.AKS-DGM-EMP-024	
45	TICKET	M.AKS-OZL-MTL-006	
46	M4 FRAME SPRING	M.YAY-PG-004	
47	TAP	M.MUH-012	
48	FAUCET	M.MEK-TES-MSL-003	