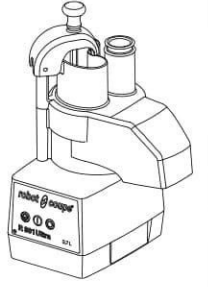
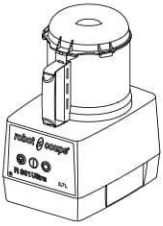
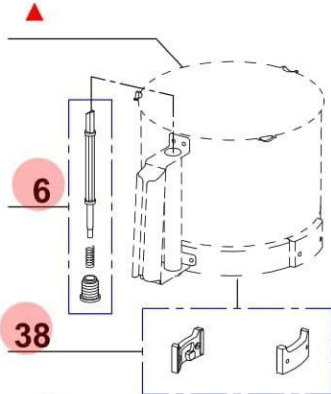


# R 301 Ultra D

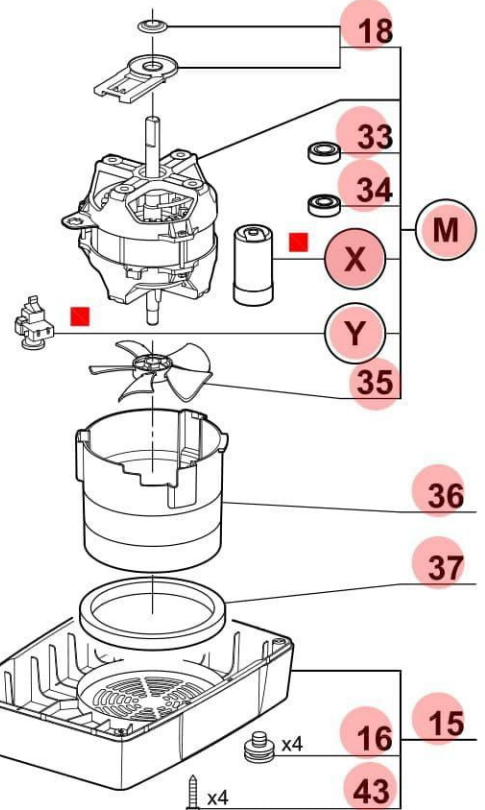
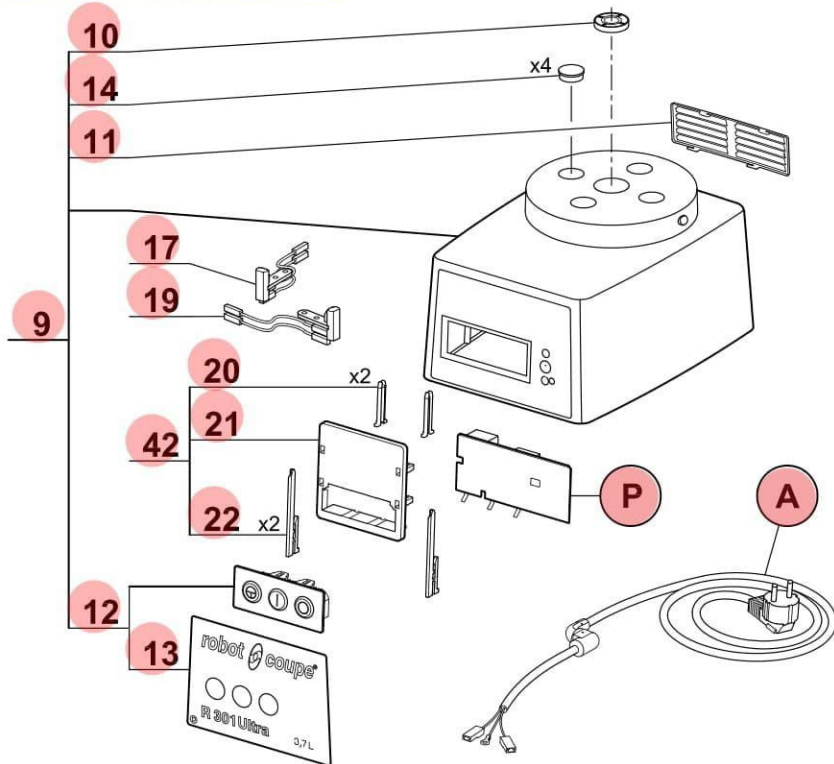
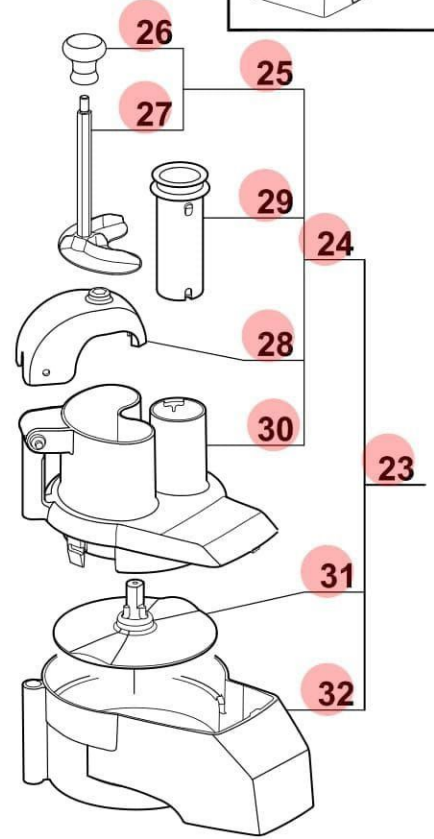
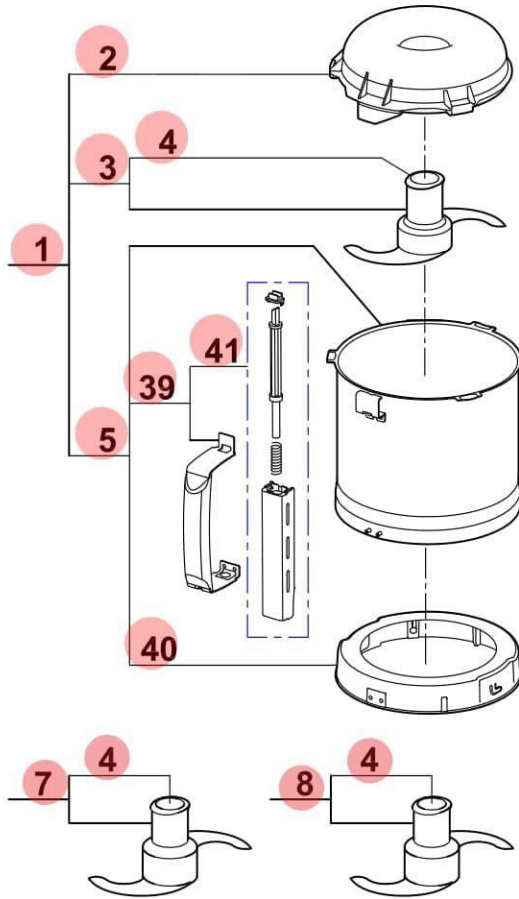
N° de série / Serial number  
 - 441 - - - - - 584 - - - - -  
 - 466 - - - - -



**Pour ancienne cuve**  
**For old bowl**



▲ N'est plus disponible.  
 Commander l'index 5.  
 No longer available.  
 Order item 5.



■ Uniquement pour moteur 220/60/1 avec fil violet.  
 Only for motor 220/60/1 with violet wire.



21	102911	PCB SUPPORT
22	117703S	PCB LOCKING KEY (X2)
23	27295	VEG. SLICER ATTACHT
24	39287	VEG. SLICER LID ASSEMBLY
25	29880	VEG. PUSHER ASSEMBLY
26	117452S	HANDLE PUSHER CL50E/GOUR
27	103703S	VEG HEAD PUSHER R301D/CL40 - WITHOUT KNOB
28	104922S	PUSHER GUIDE
29	118324S	CL50D ROUND PUSHER
30	104919	VEGETABLE SLICER LID
31	104921S 104964S	SLING PLATE
32	104918S	VEGETABLE SLICER BOWL
33	504229	BEARING
34	600457	BEARING
35	117610	FAN
36	104110	FAN GUIDE
37	39879	RABBER STAMP
38	29081	LOCKING PLATE ASSEMBLY
39	39752	BOWL HANDLE ASSEMBLY
40	39797	LOCKING WASHER ASSEMBLY
41	39751	SAFETY ROD ASSEMBLY
42	59545	SUPPORT ASSEMBLY PCB+WEDGE
43	59546	SCREW ASSEMBLY 3,9X19 TORX
44	603669S	CAPACITOR 180µF 120V
45	500289S	MOTOR RELAY

<b>Index PDF</b>	<b>Référence</b>	<b>Designation commerciale</b>
A	39699	POWER CORD
M	3074S	H50 220V 50HZ R302
P	103693S	PCB R301UD 230V
X	600018S	CAPACITOR 60µF 250V
Y	500289S	MOTOR RELAY
1	27278	CUTTER ATTACHMENT
2	117395S	CUTTER LID R301/R401
3	27286	STRAIGHT BL KNIFE
4	104147	BLADE CAP
5	39759	CUTTER BOWL ASSEMBLY
6	39228	SAFETY ROD ASSEMBLY
7	27287	FINE SERRATED BL KNIFE
8	27288	COARSE SERRATED BL KNIFE
9	39317	MOTOR SUP ASSEMBLY
10	501010S	SHAFT SEAL
11	104122S	R401 VENT COVER
12	39293	CONTROL PANEL ASSEMBLY
13	407834	FRONT PLATE
14	39676	SCREW CAPS ASSEMBLY
15	39288	ANTH. BASE ASSEMBLY
16	39928	FEET (X4)
17	129356	REED SWITCH
18	39271	MOTOR CENTRING RING
19	<del>129451</del> 129451S	CUTTER SAFETY SWITCH
20	<del>102913S</del> 59195	FACEPLATE KEY