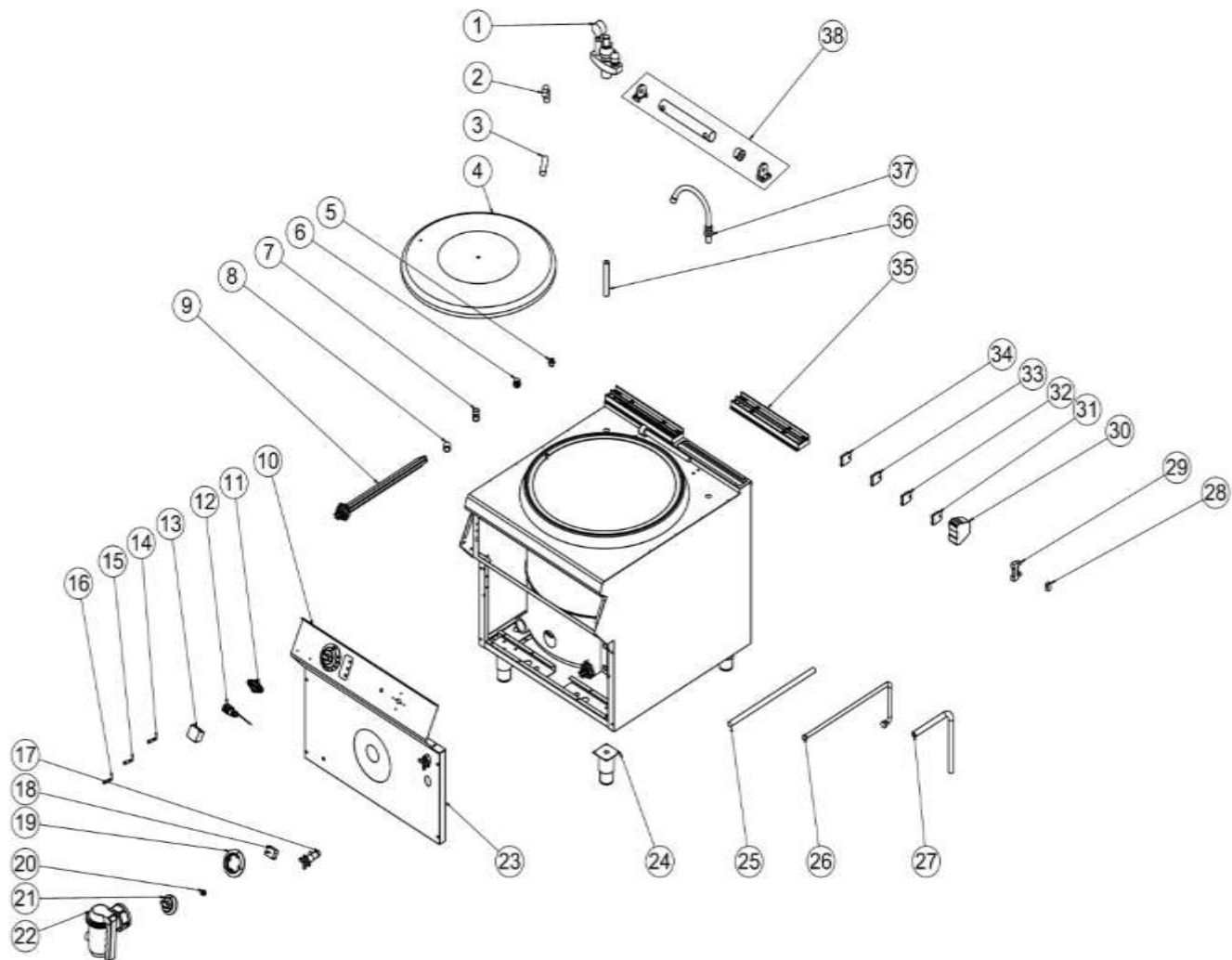


КОТЕЛ ЭЛЕКТРИЧЕСКИЙ 900 СЕРИИ TATRA TEK.89



КОТЕЛ ЭЛЕКТРИЧЕСКИЙ 900 СЕРИИ ТАТРА ТЕК.89

1	PRESSURE GAUGE GROUP	M.MUH-011	1
2	HANDLE 300 MM	YBR-KNX.KTG-KS-0004	2
3	HANDLE	M.PLS-LST-001	3
4	POT	M.MTS-KNX-KTG-017	4
5	CONNECTION 1/2	JP.M.MEK-TES-SRI-014	5
6	BRACKET	JP.M.GAZ-TES-GLV-002	6
7	1/2 BRASS T PIPE	M.MEK-TES-SRI-001-001	7
8	MASON 1/2	M.MEK-TES-INX-002	8
9	380/220 V 3*3330W RESISTANCE	JP.M.ELK-RZS-BRU-001	9
10	FRONT PANEL LEATHER	YSC-KNX.PG9-LZ-0775	10
11	TICKET	M.AKS-OZL-MTL-006	11
12	30-110 °C THERMOSTAT	JP.M.ELK-MEK-TRM1-014	12
13	126 °C LIMITOR	JP.M.ELK-MEK-LMT-003	13
14	WARNING LAMP	M.ELK-LMB-SNY-001	14
15	SIGNAL LAMP	M.ELK-LMB-SNY-002	15
16	WARNING LAMP	JP.M.ELK-LMB-SNY-003	16
17	FAUCET	M.MEK-TES-MSL-003	17
18	SWITCH 0-1	M.ELK-SLT-EGO-001	18
19	BUTTON BUFFER	M.AKS-DGM-EMP-018	19
20	BUTTON SOCKET 6 MM	M.AKS-DGM-SKT-002	20
21	BUTTON	M.AKS-DGM-EMP-024	21
22	VALVE	M.MUH-010	22
23	FRONT COVER SHEET	YSC-KNX.PG9-LZ-0544	23
24	15 CM LEG	M.AKS-AYK-INX-001	24
25	1/2-1/2 50 CM GAS FLEX PIPE	M.GAZ-TES-SPR-002	25
26	1.5 METER HOSE	M.MEK-TES-HRT-006	26
27	1/2-1/2 100 CM GAS FLEX	M.GAZ-TES-SPR-005	27
28	RELAY	JP.M.ELK-KNT-ROL-025	28
29	8A 230 V AC RELAY	JP.M.ELK-KNT-ROL-001	29
30	CONTACTOR	JP.M.ELK-KNT-KNT-010	30
31	AVK 6*6 MM TERMINAL	M.ELK-KLM-RKL-4*4-GR	31
32	TERMINAL	JP.M.ELK-KLM-024	32
33	AVK 6 TERMINAL	JP.M.ELK-KLM-008	33
34	AVK 6/10 GROUNDING TERMINAL	JP.M.ELK-KLM-009	34
35	40 CM X 7 CM CHIMNEY	JP.M.AKS-DKM-KZN-013	35
36	PIPE 170MM	YBR-KNX.KTG-KS-0006	36
37	SINK BAYARYASI	JP.M.MEK-TES-MSL-004	37
38	MECHANISM KIT	M.MUH-013	38