

WARING COMMERCIAL

9 CU. FT. MEDIUM-DUTY
MICROWAVE OVEN

HORNO DE MICROONDAS DE 25 L
DE SERVICIO MEDIO

FOUR À MICRO-ONDES DE 25 L
À USAGE MODÉRÉ



WMO90

For your safety and continued enjoyment of this product,
always read the instruction book carefully before using.

Para su seguridad y para disfrutar plenamente de este producto,
siempre lea cuidadosamente las instrucciones antes de usarlo.

Afin que votre appareil vous procure en toute sécurité beaucoup
de satisfaction, lire attentivement le mode d'emploi avant de l'utiliser.

IMPORTANT SAFETY INSTRUCTIONS

1. **READ ALL INSTRUCTIONS BEFORE USING.**
2. Read and specifically follow: **PRECAUTIONS TO AVOID POSSIBLE EXPOSURE TO EXCESSIVE MICROWAVE ENERGY** found on page 7.
3. As with most cooking appliances, close supervision is necessary to reduce the risk of fire in the oven cavity.

WARNING: To reduce the risk of fire in the oven cavity:

- i) Do not overcook food. Carefully attend to the appliance when paper, plastic, or other combustible materials are placed inside the oven to facilitate cooking.
 - ii) Remove wire twist ties and metal handles from paper or plastic containers/bags before placing them in the oven.
 - iii) If materials inside the oven ignite, keep the oven door closed. Turn the oven off, and unplug the appliance.
 - iv) Do not use the oven cavity for storage purposes. Do not leave paper products, cooking utensils, or food in the cavity when not in use.
4. This oven must be grounded. Connect only to a properly grounded outlet. See **GROUNDING INSTRUCTIONS** found on page 5.
 5. Install or locate this oven only in accordance with the installation instructions provided on page 11.
 6. Some products, such as whole eggs and sealed containers (for example, closed glass jars), could explode and should not be heated in the oven.

WARNING: To reduce the risk of burns, electric shock, fire, injury to persons or exposure to excessive microwave oven energy when using your appliance, follow basic safety precautions, including the following:

7. Use this appliance only for its intended use as described in this manual. Do not use corrosive chemicals or vapors in this appliance. This oven is specifically designed to heat, cook or dry food. It is not designed for industrial or laboratory use.
8. Do not operate this oven if it has a damaged cord or plug, if it is not working properly, or if it has been damaged or dropped.

9. This appliance should be serviced only by qualified service technicians. Contact the nearest authorized service facility for examination, repair or adjustment.
10. Do not cover or block any openings on the oven.
11. Do not store or use this appliance outdoors.
12. Do not use this oven near water; for example, near a kitchen sink, in a wet basement, near a swimming pool, or similar locations.
13. Do not immerse cord or plug in water.
14. Keep cord away from heated surfaces.
15. Do not let cord hang over edge of table or counter.
16. When cleaning surfaces of door and oven that come into contact when closing the door, use only mild, nonabrasive soaps or detergents applied with a sponge or soft cloth.

WARNING: Liquids such as water, coffee or tea may be overheated beyond the boiling point without appearing to be boiling. Visible bubbling or boiling is not always present when the container is removed from the microwave oven. **THIS COULD RESULT IN VERY HOT LIQUIDS SUDDENLY BOILING OVER WHEN THE CONTAINER IS DISTURBED, OR WHEN A SPOON OR OTHER UTENSIL IS INSERTED INTO THE LIQUID.**

- i) Do not overheat the liquid.
 - ii) Stir the liquid both before and halfway through heating it.
 - iii) Do not use straight-sided containers with narrow necks.
 - iv) After heating, allow the container to stand in the microwave oven for a short time before removing it.
 - v) Use extreme care when inserting a spoon or other utensil into the heated container.
17. DO NOT heat baby bottles in microwave oven.

WARNING: DO NOT run this unit without food.

**SAVE THESE INSTRUCTIONS
APPROVED FOR COMMERCIAL USE**

GROUNDING INSTRUCTIONS

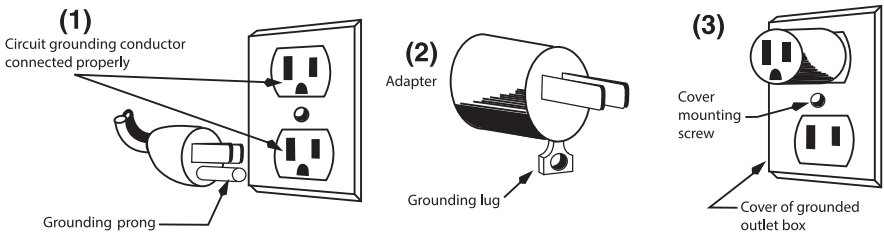
DANGER – Electric Shock Hazard

Touching some of the internal components can cause serious personal injury or death. Do not disassemble this appliance.

Improper use of the grounding can result in electric shock. Do not plug into an outlet until appliance is properly installed and grounded.

This appliance must be grounded while in use to protect the operator from electric shock. Appliance is equipped with a 3-foot-long conductor cord and a 3-prong grounding plug to fit into the proper outlet. In the event of an electrical short circuit, grounding reduces the risk of electric shock by providing an escape wire for the electric current. This appliance has a cord with a grounding wire and a grounding plug, which must be plugged into a properly installed and grounded outlet.

The WMO90 plug (Fig. 1) can be connected to an adapter (Fig. 2) for use in 2-prong receptacles. The grounding lug, which extends from the adapter, must be connected to a permanent ground, such as a properly grounded outlet box (Fig. 3) using a metal screw.



Consult a qualified electrician or serviceman if the grounding instructions are not completely understood or if there is doubt as to whether the appliance is properly grounded.

EXTENSION CORDS & LONG CORD SETS

Use only 3-wire extension cords that have 3-prong grounding type plugs and 3-pole cord connectors that accept the plug from the appliance. Use only extension cords that are intended for indoor use. Use only extension cords having an electrical rating not less than the rating of the appliance. Do not use damaged extension cords. Examine extension cord before using and replace if damaged. Do not abuse extension cord and do not yank on any cord to disconnect. Keep cord away from heat and sharp edges.

NOTE: The WMO90 is for 120V only. This appliance should not be used with a converter.

PRECAUTIONS TO AVOID POSSIBLE EXPOSURE TO EXCESSIVE MICROWAVE ENERGY

- (a) **DO NOT** attempt to operate this oven with the door open since this can result in harmful exposure to microwave energy. It is important not to defeat or tamper with the safety interlocks.
- (b) **DO NOT** place any object between the oven front face and the door, or allow soil or cleaner residue to accumulate on sealing surfaces.
- (c) **DO NOT** operate the oven if it is damaged. It is particularly important that the oven door closes properly and that there is no damage to the:
 - (1) DOOR (bent)
 - (2) HINGES AND LATCHES (broken or loosened)
 - (3) DOOR SEALS AND SEALING SURFACE
- (d) The oven should not be adjusted or repaired by anyone except properly qualified service personnel.

RADIO INTERFERENCE

- 1. Operation of the microwave oven may cause interference to your radio, TV or similar equipment.
- 2. When there is interference, it may be reduced or eliminated by taking the following measures:
 - a) Clean door and sealing surface of the oven.
 - b) Reorient the receiving antenna of the radio or television.
 - c) Relocate the microwave oven with respect to the receiver.
 - d) Move the microwave oven away from the receiver.
 - e) Plug the microwave oven into a different outlet so that microwave oven and receiver are on different branch circuits.

CAUTION

Personal Injury Hazard

Tightly closed containers could explode during microwaving. Closed containers should be opened and plastic pouches should be pierced before cooking.

SAFE MATERIALS FOR MICROWAVE

There may be certain non-metallic utensils and containers that are not safe to use for microwaving. Refer to the instructions on Materials You Can Use In Microwave Oven and Materials To Be Avoided In Microwave Oven on pages 8 and page 9.

To check if a material is microwave safe, you can test it following the procedure below.

1. Fill a microwave-safe container with 1 cup (250ml) of cold water along with the utensil in question.
2. Cook on maximum power for 1 minute.
3. Carefully feel the utensil. If the utensil is warm, do not use it for microwave cooking.
4. Do not exceed 1 minute of cooking time.

MATERIALS YOU CAN USE IN MICROWAVE OVEN	
Material	Remarks
Dinnerware	Microwave-safe only. Follow manufacturer's instructions. Do not use cracked or chipped dishes.
Glass jars	Always remove lid. Use only to heat food until just warm. Most glass jars are not heat resistant and may break.
Glassware	Heat-resistant oven glassware only. Make sure there is no metallic trim. Do not use cracked or chipped glassware.
Oven cooking bags	Follow manufacturer's instructions. Do not close with metal tie. Make slits to allow steam to escape.
Paper plates and cups	Use for short-term cooking/warming only. Do not leave oven unattended while cooking.
Paper towels	Use to cover food for reheating and absorbing fat. Use with supervision for short-term cooking only.
Parchment paper	Use as a cover to prevent splattering or a wrap for steaming.

MATERIALS YOU CAN USE IN MICROWAVE OVEN (CONT)

Plastic	Microwave-safe only. Follow the manufacturer's instructions. Should be labeled as microwave safe. Some plastic containers soften, as the food inside gets hot. Boiling bags and tightly closed plastic bags should be slit, pierced or vented as directed on package.
Plastic wrap	Microwave-safe only. Use to cover food during cooking to retain moisture. Do not allow plastic wrap to touch food.
Thermometers	Microwave-safe only (meat and candy thermometers).
Wax paper	Use as a cover to prevent splattering and retain moisture.

MATERIALS TO BE AVOIDED IN MICROWAVE OVEN

Aluminum tray	May cause sparking. Transfer food into microwave-safe dish.
Food carton with metal handle	May cause sparking. Transfer food into microwave-safe dish.
Metal or metal-trimmed utensils	Metal shields the food from microwave energy. Metal trim may cause sparking.
Metal twist ties	May cause sparking and could cause a fire in the oven.
Paper bags	May cause a fire in the oven.
Styrofoam®	Styrofoam® may melt or contaminate the liquid inside when exposed to high temperature.
Wood	Wood will dry out when used in the microwave oven and may split or crack.

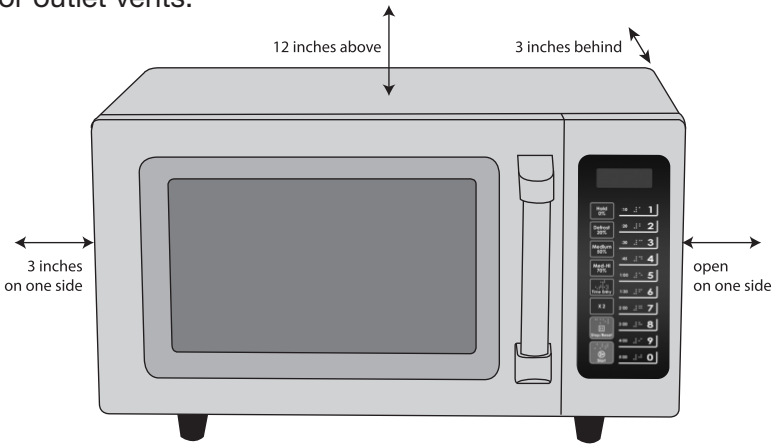
COUNTERTOP INSTALLATION

Remove all packing material and accessories. Examine the oven for any damage such as dents or a broken door. Do not install if oven is damaged.

Cabinet: Remove any protective film found on the microwave oven cabinet surface.

INSTALLATION

Select a level surface that provides enough open space for the intake and/or outlet vents.

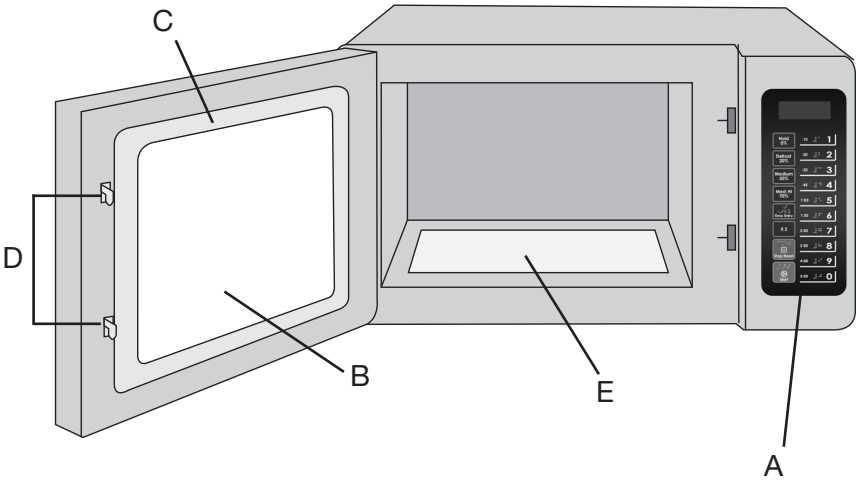


1. A minimum clearance of 3.0 inches (7.5cm) is required between the oven and any adjacent walls. One side must be open.
 - (a) Leave a minimum clearance of 12 inches (30cm) above the oven.
 - (b) Do not remove the legs from the bottom of the oven.
 - (c) Blocking the intake and/or outlet openings can damage the oven.
 - (d) Place the oven as far away from radios and TV as possible. Operation of microwave oven may cause interference to your radio or TV reception.
2. Plug your oven into the appropriate outlet. Be sure the voltage and the frequency is the same as the voltage and the frequency on the rating label.

WARNING: Do not install oven over a range cooktop or other heat-producing appliances. If installed near or over a heat source, the oven could be damaged and the warranty would be void.

SETTING UP YOUR OVEN

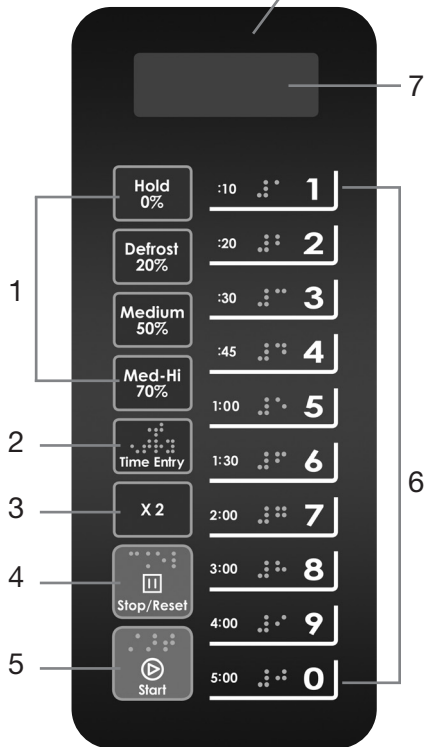
Remove the oven and all materials from the carton and inside the oven cavity. Your oven comes with an Instruction Manual. Please keep it for reference.



- A) Control Panel
- B) Observation Window
- C) Door Assembly
- D) Safety Interlock System
- E) Ceramic Surface

CONTROL PANEL

- 1) Power Keys
- 2) Time Entry Key
- 3) X2 Key
- 4) Stop/Reset Key
- 5) Start Key
- 6) Number Keys
- 7) LED Display Screen



SPECIFICATIONS	
Model	WMO90
Rated Voltage:	120V ~ 60Hz
Rated Input Power (Microwave):	1550W
Rated Output Power (Microwave):	1000W
Oven Capacity:	.9 cu. ft.
External Dimensions:	20.1 x 17 x 12.2 inches
Net Weight:	Approx. 32.0 lbs.

OPERATION INSTRUCTION

Five power levels are available.

Level	High	Med-Hi	Medium	Defrost	Hold
Power	100%	70%	50%	20%	0%
Display	PL10	PL7	PL5	PL2	PL0

Appendix A. User Options

Items bolded below are the default values.

Option	Setting	Description
1 End of Cycle Tone	OP:10	3 Beeps
	OP:11	Continuous Beep
	OP:12	5 Quick Beeps, Repeating
2 Beeper Volume	OP:20	Off
	OP:21	Low
	OP:22	Medium
	OP:23	High
3 Keybeep On/Off	OP:30	Off
	OP:31	On
4 Keypad Entry Window	OP:40	15 Seconds
	OP:41	30 Seconds
	OP:42	60 Seconds
	OP:43	120 Seconds
5 On the Fly	OP:50	On-the-Fly Disabled
	OP:51	On-the-Fly Enabled

6 Door Reset	OP:60	Door Reset Disabled
	OP:61	Door Reset Enabled
7 Max Time	OP:70	60-Minute Maximum Cook Time
	OP:71	10-Minute Maximum Cook Time
8 Manual Programming	OP:80	Manual Programming Disabled
	OP:81	Manual Programming Enabled
9 Double Digit	OP:90	Single-Digit Mode, 10 Programs
	OP:91	Double-Digit Mode, 100 Programs

Appendix B. Default Cook Times

The oven comes programmed with the following Preset Cook Times unless otherwise noted in the Product Specifications.

Button	Cook Time	Power	Cook Factors
1	0:10	100%	80%
2	0:20	100%	80%
3	0:30	100%	80%
4	0:45	100%	80%
5	1:00	100%	80%
6	1:30	100%	80%
7	2:00	100%	80%
8	3:00	100%	80%
9	4:00	100%	80%
0	5:00	100%	80%

POWER UP

The display -- -- shows when the oven is powered ON for the first time. If the STOP button is pressed, the oven will change to Idle Mode.

Note: While in Idle Mode, no buttons can be pressed.

IDLE MODE

- 1) The oven enters Idle Mode after a number of seconds have expired in Ready Mode without a keyboard button being pressed or a door being opened and closed. The number of seconds in Ready Mode is set by User Option 4 and is displayed in the window.
- 2) During Idle Mode, LED is blank.
- 3) By opening and then closing the oven door, the oven will exit Idle Mode and enter Ready Mode.

READY MODE

- 1) In this mode, the oven is ready to either begin a Manual or Preset Program Cook Mode.
- 2) Opening and closing the door while the oven is in Idle Mode will put the oven into Ready Mode.
- 3) During Ready Mode, 0:00 is displayed.
- 4) From Ready Mode, the oven can go into almost all of the other modes.

DOOR OPEN MODE

- 1) While the door of the oven is open, the oven is in Door Open Mode. This also allows for entry into Programming Mode.
- 2) Display is blank, but the fan and oven lamp are on.
- 3) If User Option OP:60 is selected and the door is opened during operation, the oven will enter Pause Mode. Closing the door will allow the Manual or Preset Program currently running to continue.
- 4) If User Option OP:61 is selected, opening and closing the door during operation will reset the oven and clear out any information about the Manual or Preset Program currently running.

PAUSE MODE

- 1) This mode allows the user to temporarily stop the cooking cycle to inspect or stir food.
- 2) While in Manual Cook Mode, or Preset Program Cook Mode, if the door is opened then closed, or if STOP is pressed, the oven will enter Pause Mode.
- 3) While paused, LED will display the remaining cooking time.
- 4) Pause Mode reverts to Idle Mode in the same way as Ready Mode, depending on User Option 4. Additionally, if STOP is pressed, the oven will immediately enter Ready Mode. If START is pressed, the oven will go into Working Mode.

MANUAL COOK ENTRY MODE

- 1) The user manually enters the cooking time and power level while in this mode.
- 2) While the oven is in Ready Mode, press the TIME ENTRY pad on the keyboard to enter Manual Cook Entry Mode.

- 3) In this mode, 00:00 is displayed. Press a number key to set timer before choosing power level.
- 4) If you press HOLD 0%, Defrost 20%, Medium 50% or Med-Hi 70% to choose a power level, the LED will display your selection. If the same button is pressed twice, the power will change to PL10, which is 100%. If no power is chosen, PL10 is the default.
- 5) Press START to enter Manual Cook Mode. Press STOP to enter Ready Mode.

MANUAL COOK MODE

- 1) In this mode, food is cooked. While in Manual Cook Entry Mode, pressing START begins the Manual Cook Mode.
- 2) The LED displays the remaining cooking time. The fan and oven lamp will turn on.
- 3) When the cooking program is finished, the oven enters End of Cook Cycle Mode. If you press STOP in this mode, the oven enters Pause Mode.

END OF COOK CYCLE MODE

- 1) After the time has expired in the Manual Cook Mode, or the Preset Program Cook Mode, the oven enters the End of Cook Cycle Mode.
- 2) During this mode, End is displayed.
- 3) If either User Option OP:11 or OP:12 is selected, the oven continues to sound until the user either opens and closes the door or presses STOP. If User Option OP:10 is selected, after the 3 beeps, the oven will display "End". For a period of time without any key operation, the oven will automatically enter the Idle Mode.

PRESET PROGRAM COOK MODE

- 1) This mode cooks food using one touchpad operation. While in Ready Mode, pressing one of 10 digital keys on the keyboard will cause the oven to run the Preset Program associated with that key.
- 2) The LED displays the remaining cooking time. With multi-stage cooking, the total remaining cooking time is displayed, and not the cooking time for any particular stage.
- 3) If the program chosen exceeds the maximum time allowed by User Option 7, the oven will rapidly beep three times and display ProG to indicate that the program is unacceptable.

- 4) When the cooking program is finished, the oven will enter End of Cook Cycle Mode. If you press STOP in this mode, the oven will enter Pause Mode.

ON-THE-FLY COOKING MODE

If User Option OP:51 is selected, this will allow the user to add time while cooking.

- 1) Press the desired number key during cooking to add time. The longer cooking cycle will begin automatically.
- 2) The screen displays the new remaining cooking time. When cooking program is finished, the oven enters End of Cook Cycle Mode.
- 3) To stop cooking before the end of the cooking cycle, press STOP. The oven will enter Pause Mode.

PROGRAMMING MODE

This mode allows the user to assign cook times and power levels using a one-touch button.

- 1) Open the door and press number button 1 for five seconds. The buzzer will sound once and the oven enters Programming Mode.
- 2) ProG is displayed.
- 3) Press any number button, 0 to 9, and the LED will display the saved time. You can then input the time you need.
- 4) Press HOLD 0%, Defrost 20%, Medium 50% or Med-Hi 70% to input the power level. The LED will display the related power. If the same button is pressed twice, the power will change to PL10, which is the 100% power level. If no power is chosen, PL10 is the default.
- 5) To change the cooking factor: If you press X2, the LED will display CF:XX. The default cooking factor is 80%, and CF:80 is displayed. If you need to change the cooking factor, just press one of the numbered buttons (1 for 10%, 2 for 20%, etc.).
- 6) After setting the time and power, press START, and the cooking program will be saved. Once the program is saved, ProG is displayed.
- 7) If total cooking time exceeds the MAX time, use User Option 7. Press START to save the program. The buzzer will sound three times to indicate the oven is not in use. LED will display ProG. The previous time set will remain in place.

- 8) Close the door to return oven to Ready Mode. If STOP is pressed during the programming process, the oven will enter Door Open Mode, and any program not saved will be lost. If there is program saved as memory procedure, press the related number button to start the programmed operation. If nothing has been saved, the buzzer will sound and the oven will not operate.

Example:

Program: Power level PL7, cooking time 1 minute and 25 seconds.

Step 1: In waiting stage, press number button 1 for 5 seconds. ProG is displayed.

Step 2: Press number 3. Program will be saved in 3.

Step 3: Press numbers 1, 2 and 5 to program the cooking time.

Step 4: Press Med-Hi 70% button. PL7 is displayed.

Step 5: Press START to save. When using the program next time, just press 3, and the saved program will start.

Note:

1. If the electricity is cut off, the saved program will not be lost.
2. If the program needs to be reset, repeat the above steps.
3. If STOP is pressed instead of START at the last step, the oven will go into Door Open Mode, and the program setting will not be saved.

DOUBLE QUANTITY COOKING

Allows the user to double the set cooking time of a particular food item.

- 1) In the Ready mode, press the X2 key before or after pressing the desired preprogrammed key. LED displays doub.
- 2) If you wish to change the Cooking Factor, see Programming Mode.
- 3) The oven will begin to cook.
- 4) At the end of the cooking program, the oven will enter End of Cook Cycle Mode.

TO PROGRAM MULTI-STAGE COOKING

Users can cook food items with different combinations of time and power levels. Up to three stages can be set in Cooking Mode or Memory Mode.

- 1) Once power level and time are set for the first stage:
Pressing TIME ENTRY (S-2 is displayed) lets you program the power level and time for stage two.
- 2) Pressing TIME ENTRY again (S-3 is displayed) lets you program a third power level and time combination.
- 3) Press START to start cooking.

Example:

STAGE ONE

- a. Press number button 1 for five seconds. LED displays ProG.
- b. Press number button 3 to save the program in 3.
- c. Enter desired cook time.
- d. Press Med-Hi 70%. Display shows PL7.

The first stage is finished.

STAGE TWO

- a. Press TIME ENTRY. Display shows S-2.
- b. Enter desired cook time.
- c. Press Medium 50%. Display shows PL5.

The second stage is finished.

- d. Press START to save the two-stage program, or press TIME ENTRY once more to program a third stage.

USER OPTION MODE

This allows the user to choose between various ways for the oven to operate.

- 1) Open the oven door and press number button 2 for five seconds. The buzzer sounds once and this mode is entered.
- 2) LED displays OP: - -.
- 3) Press any number button to enter related mode setting.
For example: To set the buzzer to a medium level, press 2. Display shows OP:22. To change, keep pressing 2. LED displays cycles through OP:20, OP:21, OP:22, OP:23, before cycling back to OP:20.

- 4) Press START to save the displayed setting. OP: - - will be displayed again.
- 5) During this process, press STOP to enter Door Open Mode. Closing the door will return oven to Ready Mode.
- 6) If START button is not pressed as the last step, the program will not be saved.

SERVICE MODE

- 1) Open the oven door and press and hold the number button 3 for five seconds to enter Service Mode.
- 2) LED displays SErU.
- 3) To check the times of closing or opening the door, just press 3. LED will display the times.
- 4) To reset: Press and hold both START and the number button 4. In seconds, the message will be cancelled and 4-CL will be displayed.
- 5) Press STOP to enter Door Open Mode. Close the door to enter Ready Mode.

INQUIRY FUNCTION

While cooking, press TIME ENTRY to check the power level. The LED will display the power level for 3 seconds. This feature is available for multi-stage cooking.

FACTORY-DEFAULT SETTING

Press START and 0. Then press START to return to factory-default settings.

CLEANING INSTRUCTIONS

Always keep the oven clean.

- 1. Cleaning the glass viewing window, the inner door panel and oven front face:** For best performance and to maintain a high degree of safety, the inner door panel and oven front face should be free of food or grease buildup. Wipe these parts with a mild detergent, rinse and wipe dry. Never use abrasive powders or pads.
- 2. Cleaning the control panel and plastic parts:** Do not apply a detergent or an alkaline liquid spray to the control panel and plastic parts, as this may cause damage to these parts. Use a dry cloth (not a soaked cloth) to clean these parts.
- 3. Cleaning the oven interior:** After use, be sure to clean up spilled liquids, spattered oil and food debris as quickly as possible. If the oven is used when dirty, efficiency drops and the dirt gets stuck on the oven surface and may cause bad odors. Clean the interior with a cloth soaked in lukewarm water with a mild detergent dissolved in it, then rinse the soap off with a damp cloth.

CAUTION: Do not wipe plastic and painted sections of the oven with bleach, thinners or other cleaning agents, as this may cause these parts to dissolve or change shape.

MAINTENANCE

Troubleshooting

Reference the chart below for any operating issues and try the solutions provided. If the microwave oven still does not work properly, contact the nearest authorized service center.

TROUBLE	POSSIBLE CAUSE	POSSIBLE REMEDY
Oven will not start	a. Electrical cord for oven is not plugged in. b. Door is open. c. Wrong operation is set.	a. Plug into the outlet. b. Close the door and try again. c. Check instructions.

TROUBLE	POSSIBLE CAUSE	POSSIBLE REMEDY
Sparkling	<ul style="list-style-type: none"> a. Materials to be avoided in microwave oven were used. b. The oven is operating when empty. c. Spilled food remains in the cavity. 	<ul style="list-style-type: none"> a. Use microwave-safe cookware only. b. Do not operate with oven empty. c. Clean cavity with a wet cloth.
Unevenly cooked foods	<ul style="list-style-type: none"> a. Materials to be avoided in microwave oven were used. b. Food is not defrosted completely. c. Cooking time, power level is not suitable. d. Food is not turned or stirred. 	<ul style="list-style-type: none"> a. Use microwave-safe cookware only. b. Completely defrost food. c. Use correct cooking time, power level. d. Turn or stir food.
Overcooked foods	Cooking time, power level is not suitable.	Use correct cooking time, power level.
Undercooked foods	<ul style="list-style-type: none"> a. Materials to be avoided in microwave oven were used. b. Food is not defrosted completely. c. Oven ventilation ports are restricted. d. Cooking time, power level is not suitable. 	<ul style="list-style-type: none"> a. Use microwave-safe cookware only. b. Completely defrost food. c. Check to see that oven ventilation ports are not restricted. d. Use correct cooking time, power level.
Improper defrosting	<ul style="list-style-type: none"> a. Materials to be avoided in microwave oven were used. b. Cooking time, power level is not suitable. c. Food is not turned or stirred. 	<ul style="list-style-type: none"> a. Use microwave-safe cookware only. b. Use correct cooking time, power level. c. Turn or stir food.

MEDIDAS DE SEGURIDAD IMPORTANTES

1. **LEA TODAS LAS INSTRUCCIONES ANTES DEL USO.**
2. Lea y siga cuidadosamente las **“PRECAUCIONES PARA EVITAR LA EXPOSICIÓN EXCESIVA A LAS MICROONDAS”** en la **página 23**.
3. Al igual que con la mayoría de los aparatos de cocción, es necesario vigilar la cocción de cerca para reducir el riesgo de incendio dentro del horno.

ADVERTENCIA: Para reducir el riesgo de incendio dentro del horno:

- i) No cocine demasiado los alimentos. Vigile la cocción con cuidado cuando use papel, plástico u otros materiales combustibles para facilitar la cocción.
 - ii) Quite las ataduras de alambre de las bolsas de papel/plástico antes de meter estas al horno.
 - iii) Si los materiales en el horno se prenden, mantenga la puerta cerrada, apague y desenchufe el aparato.
 - iv) No use el horno para fines de almacenamiento. No deje artículos de papel, utensilios de cocina ni alimentos en el horno cuando no esté en uso.
4. Este aparato debe estar puesto a tierra. Conéctelo a una toma de corriente debidamente puesta a tierra. Véase la sección **“INSTRUCCIONES DE PUESTA A TIERRA”** en la página 22.
 5. Instale y ubique el aparato según se describe en las instrucciones de instalación provistas en la página 26.
 6. Algunos alimentos herméticos (p. ej., los huevos enteros) o recipientes cerrados (p. ej., tarros de vidrio cerrados) pueden explotar al calentarse en un horno de microondas y no se deben calentar con este aparato.

ADVERTENCIA: Para reducir el riesgo de incendio, descarga eléctrica, heridas o exposición excesiva a las microondas, debe tomar precauciones básicas de seguridad, entre ellas las siguientes:

7. Use este aparato únicamente con el propósito para el cual fue diseñado y solamente según las instrucciones. No use productos químicos corrosivos o productos que produzcan vapores corrosivos en este aparato. Este aparato ha sido especialmente diseñado para recalentar, cocinar y deshidratar alimentos. No ha sido diseñado para uso industrial o de laboratorio.

8. No use este aparato si el cable o el enchufe están dañados, si no funciona correctamente, si está dañado, o después de que se haya caído.
9. Las reparaciones deben ser llevadas a cabo por técnicos calificados solamente. Comuníquese con el centro de servicio autorizado más cercano para su revisión, reparación o ajuste.
10. No cubra ni obstruya las entradas/salidas de aire del aparato.
11. No guarde ni use este aparato en exteriores.
12. No use este producto cerca del agua (p. ej., cerca del fregadero o de una piscina) ni en lugares húmedos (p. ej., en un sótano húmedo).
13. No sumerja el cable ni el enchufe en agua.
14. Mantenga el cable alejado de superficies calientes.
15. No permita que el cable cuelgue del borde de la mesa o de la encimera.
16. Cuando limpie las superficies de la puerta y del horno que hacen contacto al cerrar la puerta, use solamente jabones o detergentes no abrasivos, aplicados con una esponja o un paño suave.

ADVERTENCIA: Los líquidos como el agua, el café o el té pueden calentarse más allá de su punto de ebullición sin que parezca que están hirviendo. No siempre hay burbujas en el líquido al retirar el envase del horno de microondas. **ESTO PUEDE RESULTAR EN UN DERRAME SÚBITO DE LÍQUIDO ARDIENTE AL MOVER EL ENVASE O INSERTAR UNA CUCHARA U OTRO UTENSILIO EN EL LÍQUIDO.**

- i) No sobrecaliente los líquidos.
 - ii) Revuelva el líquido antes y a la mitad del calentamiento.
 - iii) No use envases de cuellos estrechos.
 - iv) Después de calentar, deje reposar el envase en el horno de microondas durante al menos 20 segundos antes de retirarlo.
 - v) Tenga mucho cuidado al insertar una cuchara u otro utensilio en el envase.
17. NO use el horno de microondas para recalentar biberones.

ADVERTENCIA: NO haga funcionar el aparato sin alimentos en el horno.

**GUARDE ESTAS INSTRUCCIONES
APROBADO PARA USO COMERCIAL**

INSTRUCCIONES DE PUESTA A TIERRA

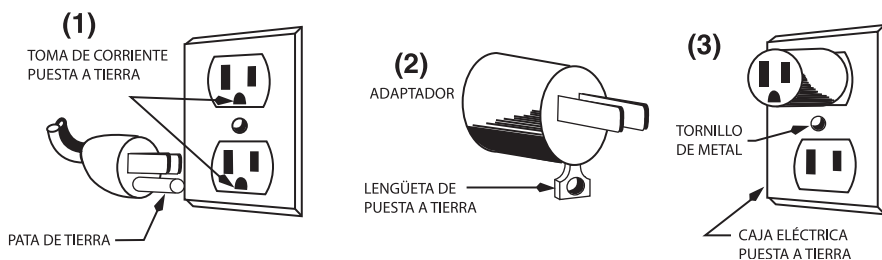
PELIGRO – Peligro de electrocución

Tocar algunos de los componentes internos de la unidad puede causar lesiones graves, e incluso la muerte. No desarme el aparato.

Este aparato puede causar una descarga eléctrica si no está correctamente puesto a tierra. No lo enchufe hasta que esté correctamente instalado y puesto a tierra.

Para su protección, este aparato debe estar puesto a tierra. Este aparato cuenta con un cable/enchufe con puesta a tierra, el cual debe ser conectado a una toma de corriente correctamente puesta a tierra. En caso de cortocircuito, la conexión a tierra proporciona una vía de escape para la corriente eléctrica, lo que reduce el riesgo de descarga eléctrica. El cable eléctrico cuenta con un cable de tierra y un enchufe de tierra que debe conectarse a una toma de corriente correctamente instalada y puesta a tierra (Fig. 1).

Si una toma de corriente puesta a tierra no está disponible, se podrá usar un adaptador para conectar el aparato a una toma de corriente polarizada (Fig. 2). El adaptador debe ser puesto a tierra mediante un tornillo de metal que conecte la lengüeta del mismo a la caja eléctrica (Fig. 3).



Si no entiende las instrucciones de conexión a tierra o si no está seguro/a que el aparato está correctamente puesto a tierra, consulte a un electricista.

USO DE ALARGADORES

Si es necesario usar un cable alargador/de extensión, solamente use un cable alargador/de extensión con puesta a tierra compatible con el enchufe del aparato. Use solamente cables alargadores/de extensión diseñados para uso en interiores. La clasificación nominal del cable alargador/de extensión debe ser por lo menos igual a la del aparato. No use cables alargadores/de extensión dañados. Examine

el cable alargador/de extensión antes de usarlo y reemplácelo si está dañado. No jale el cable para desconectar el cable alargador/de extensión; agárrelo por el enchufe. Mantenga el cable alejado de las fuentes de calor y de los objetos cortantes.

NOTA: El modelo WMO90 ha sido diseñado para funcionar en redes de 120 V solamente. No lo use con un convertidor de voltaje.

PRECAUCIONES PARA EVITAR LA EXPOSICIÓN EXCESIVA A LAS MICROONDAS

- (a) **NO** intente hacer funcionar este horno con la puerta abierta; esto puede causar una exposición perjudicial a la energía de microondas. Es importante no forzar/alterar el mecanismo de seguridad de la puerta.
- (b) **NO** coloque ningún objeto entre la fachada del horno y la puerta, ni permita que suciedad o residuos de limpiadores se acumulen en las superficies de sellado.
- (c) **NO** use el aparato si está dañado. Es particularmente importante que la puerta del horno cierre correctamente y que no haya daños en:
 - (1) LA PUERTA (doblada)
 - (2) LAS BISAGRAS Y LOS PESTILLOS (rotos o flojos)
 - (3) LOS SELLOS Y LAS SUPERFICIES DE SELLADO DE LA PUERTA
- (d) El horno solamente debe ser ajustado o reparado por personal de servicio calificado.

INTERFERENCIAS RADIOELÉCTRICAS

- 1. El horno puede causar interferencias en la recepción radio, televisión u equipo similar.
- 2. Por lo general, las interferencias pueden reducirse o eliminarse mediante una o más de las medidas correctoras siguientes:
 - a) Limpiar la puerta y las superficies de sellado del horno.
 - b) Reorientar o reubicar la antena receptora de la radio o del televisor.
 - c) Cambiar la ubicación o la orientación del horno de microondas en relación con el receptor.
 - c) Alejar el horno de microondas del receptor.
 - e) Conectar el horno de microondas y el receptor en circuitos eléctricos separados.

PRECAUCIÓN

Riesgo de lesiones corporales

Los envases cerrados herméticamente pueden explotar al calentarse. Abra los envases cerrados y pinche las bolsas de plástico cerradas antes de meterlos al horno.

MATERIALES APTOS PARA MICROONDAS

Algunos materiales/envases no metálicos NO son aptos para microondas. Véase los materiales aptos y no aptos para microondas a continuación.

En caso de duda, haga una prueba, según se describe a continuación:

1. Llene un envase apto para microondas con 1 taza (235 ml) de agua fría y coloque el material/envase que desea probar en el agua.
2. Caliéntelo a máxima potencia por 1 minuto.
3. Con cuidado, toque el material/envase que está probando. Si está caliente, no es apto para microondas.
4. No exceda 1 minuto de cocción.

MATERIALES APTOS PARA MICROONDAS	
Material	Comentarios
Vajilla	Use material apto para microondas solamente. Siga las instrucciones del fabricante. No use platos agrietados o astillados.
Frascos de vidrio	Siempre retire la tapa. Caliente los alimentos hasta que estén tibios solamente. Nota: La mayoría de los frascos de vidrio no son a prueba de calor y pueden romperse.
Recipientes de vidrio	Use solamente recipientes de vidrio aptos para microondas. Compruebe que no tienen decoraciones metálicas. No use platos agrietados o astillados.
Bolsas para microondas	Siga las instrucciones del fabricante. No cerrar con ataduras de alambre. Haga rajitas en las bolsas para permitir que el vapor escape.
Platos y vasos de papel	Úselos solamente para recalentar o cocinar por poco tiempo. Nunca descuide/deje el horno sin vigilancia durante el uso.

MATERIALES APTOS PARA MICROONDAS (CONTINUACIÓN)

Servilletas/ toallas de papel	Úselas para cubrir los alimentos y absorber la grasa cuando recalienta los alimentos. Úselas por poco tiempo, y bajo supervisión solamente.
Papel sulfurizado	Úselo para cubrir los alimentos para evitar las salpicaduras, o para envolver los alimentos para cocinarlos al vapor.
Recipientes de plástico	Apto para microondas solamente. Siga las instrucciones del fabricante. Debe indicar que el recipiente es apto para microondas. Algunos envases de plástico pueden suavizarse al calentar los alimentos. Pinche o haga un corte en las bolsas para hervir y las bolsas de plástico herméticas, según las instrucciones, para permitir que el vapor se escape.
Papel film/ plástico	Apto para microondas solamente. Úselo para cubrir los alimentos para conservar la humedad durante la cocción. No permita que el plástico tenga contacto con los alimentos.
Termómetros	Aptos para microondas solamente (termómetros para carne y azúcar).
Papel encerado	Úselo para cubrir los alimentos para evitar las salpicaduras y conservar la humedad durante la cocción.

MATERIALES NO APTOS PARA MICROONDAS

Bandejas de aluminio	Pueden causar chispas. Coloque los alimentos en un recipiente apto para microondas.
Envases de cartón con asa de metal	Pueden causar chispas. Coloque los alimentos en un recipiente apto para microondas.
Utensilios de metal o con decoración metálica	El metal impide que las microondas cocinen los alimentos. Las decoraciones metálicas pueden causar arcos eléctricos/chispas.
Ataduras de alambre	Pueden causar chispas o un incendio dentro del horno.
Bolsas de papel	Pueden causar un fuego en el horno.
Styrofoam® (poliestireno)	Expuesto a alta temperatura, el poliestireno puede derretirse y contaminar los alimentos.
Madera	La madera se secará y puede partirse o agrietarse.

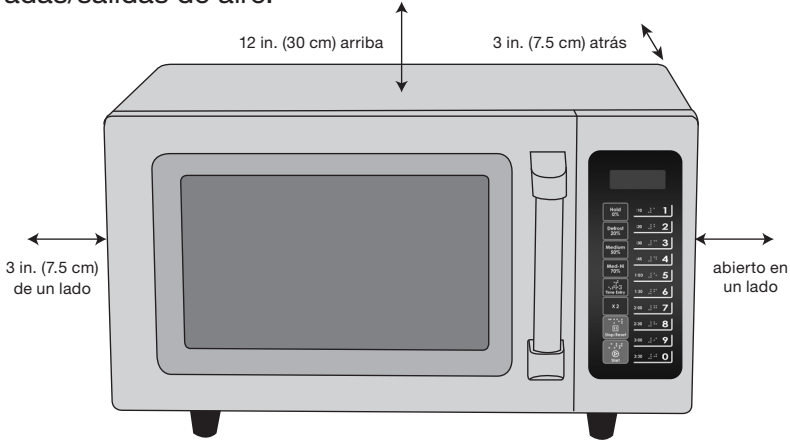
INSTALACIÓN SOBRE LA ENCIMERA

Saque todo el material de embalaje y los accesorios. Cerciórese de que el horno no está dañado, especialmente que la puerta no está rota o doblada. Si el horno está dañado, no lo instale.

Interior del horno: Quite las películas de plástico que protegen el interior del horno.

INSTALACIÓN

Elija una superficie plana que proporcione suficiente espacio para las entradas/salidas de aire.

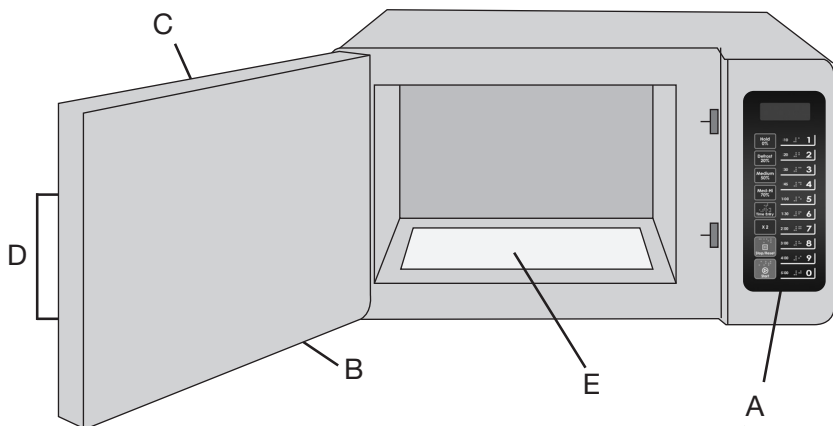


1. Deje un espacio libre de al menos 3 in. (7.5 cm) entre el horno y la pared. Uno de los lados debe estar completamente abierto/sin obstrucciones.
 - (a) Deje un espacio libre de al menos 12 in. (30 cm) arriba del horno.
 - (b) No quite los pies del horno.
 - (c) Obstruir las entradas/salidas de aire del horno puede dañar el aparato.
 - (d) Ubique el horno cuanto más lejos posible de las radios y de los televisores. El horno puede causar interferencias en la recepción de la señal.
2. Enchufe el aparato en una toma de corriente adecuada. Compruebe que el voltaje y la frecuencia de la toma de corriente coinciden con el voltaje y la frecuencia indicados en la placa de especificaciones técnicas del aparato.

ADVERTENCIA: No coloque el horno sobre una cocina/hornilla u otro aparato que produzca calor. Instalar el horno sobre o cerca de una fuente de calor puede dañarlo e invalidar la garantía.

INSTALACIÓN

Retire el horno de la caja y retire el material que se encuentra en la caja y dentro del horno. Guarde el manual de instrucciones para futura referencia.



A) Panel de control

B) Ventanilla

C) Puerta

D) Mecanismo de bloqueo de seguridad

E) Superficie de cerámica

PANEL DE CONTROL

1) Teclas del nivel de potencia

2) Tecla de programación del tiempo

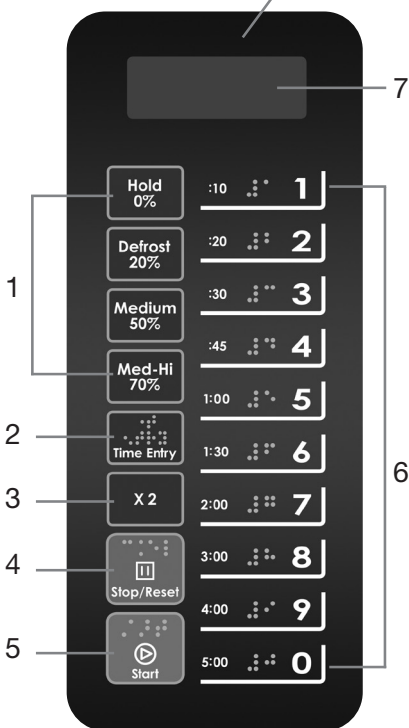
3) Tecla X2

4) Tecla de pausa/reinicio

5) Tecla de encendido

6) Teclas numéricas

7) Pantalla LED



ESPECIFICACIONES	
Modelo	WMO90
Voltaje nominal:	120 V ~ 60 Hz
Tensión de entrada nominal:	1550 W
Tensión de salida nominal:	1000 W
Capacidad del horno:	25 L
Dimensiones externas:	20.1 x 17 x 12.2 in. (51 x 43 x 31 cm)
Peso neto aproximado:	32 lb (14.5 kg)

INSTRUCCIONES DE OPERACIÓN

Nivel de potencia

El horno cuenta con cinco niveles de potencia.

Nivel	HIGH (alto)	MED-HI (medio-alto)	MEDIUM (medio)	DEFROST (descongelar)	HOLD (pausa)
Potencia	100 %	70 %	50 %	20 %	0 %
Código	PL10	PL7	PL5	PL2	PL0

Opciones del usuario

(ajustes de fábrica en negrita)

Opción	Ajuste	Descripción
1 Señal de fin de ciclo	OP:10	3 pitidos
	OP:11	Pitido continuo
	OP:12	5 pitidos rápidos, repetidos
2 Volumen del pitido	OP:20	OFF (apagado)
	OP:21	LOW (bajo)
	OP:22	MEDIUM (medio)
	OP:23	HIGH (alto)
3 Pitido al teclear	OP:30	OFF (apagado)
	OP:31	ON (encendido)
4 Auto-bloqueo del teclado	OP:40	15 segundos
	OP:41	30 segundos
	OP:42	60 segundos
	OP:43	120 segundos

5 Cambios sobre la marcha	OP:50	Opción desactivada (cambios no permitidos durante el funcionamiento)
	OP:51	Opción activada (cambios permitidos durante el funcionamiento)
6 Reinicio al abrir la puerta	OP:60	Opción desactivada (abrir la puerta interrumpe el programa)
	OP:61	Opción activada (abrir la puerta cancela el programa)
7 Tiempo de cocción máximo	OP:70	Tiempo de cocción programable hasta 60 minutos
	OP:71	Tiempo de cocción programable hasta 10 minutos
8 Programación manual	OP:80	Opción desactivada (solose pueden usar las teclas preprogramadas)
	OP:81	Opción activada
9 Programas de uno/dos dígitos	OP:90	10 programas de un dígito (0 a 9)
	OP:91	100 programas de dos dígitos (00 a 99)

Tiempos de cocción por defecto

Salvo indicación contraria en las especificaciones técnicas, el horno viene preprogramado con los tiempos de cocción siguientes:

Tecla	Tiempo de cocción	Potencia	Factor de cocción
1	0:10	100 %	80 %
2	0:20	100 %	80 %
3	0:30	100 %	80 %
4	0:45	100 %	80 %
5	1:00	100 %	80 %
6	1:30	100 %	80 %
7	2:00	100 %	80 %
8	3:00	100 %	80%
9	4:00	100 %	80 %
0	5:00	100 %	80 %

MÁXIMA POTENCIA

Cuando encienda el aparato por primera vez, la pantalla muestra "-- --".

Si presiona la tecla STOP, el aparato ingresará al modo de espera.

Nota: No se podrá presionar ningún botón en el modo de espera.

MODO DE ESPERA

- 1) El horno ingresa automáticamente al modo de espera después de cierto tiempo sin presionar ninguna tecla, ni abrir/cerrar la puerta (la opción del usuario 4 determina después de cuánto tiempo se bloquea teclado).
- 2) Cuando el horno está en este modo, la pantalla no muestra ninguna información.
- 3) Abrir y luego cerrar la puerta desactivará el modo de espera y activará el modo "Ready" (listo).

MODO "LISTO"

- 1) Este modo indica que el horno está listo para empezar la cocción.
- 2) Abrir y luego cerrar la puerta desactivará el modo de espera y activará el modo "listo".
- 3) La pantalla mostrará "0:00".
- 4) A partir de este modo, el horno puede ingresar casi cualquier modo.

MODO "PUERTA ABIERTA"

- 1) El aparato ingresa al modo "puerta abierta" automáticamente al abrir la puerta. Este modo también permite ingresar al modo de programación.
- 2) En este modo, la pantalla no muestra ninguna información, pero la luz y el ventilador están encendidos.
- 3) Si la opción del usuario OP:60 ha sido seleccionada y abre la puerta durante el funcionamiento, el horno se pondrá en pausa. Al cerrar la puerta, el programa de cocción continuará.
- 4) Si se ha seleccionado la opción del usuario OP:61, abrir y cerrar la puerta cancelará y reiniciará el programa de cocción.

MODO DE PAUSA

- 1) El modo de pausa permite interrumpir temporalmente el ciclo de cocción para inspeccionar o revolver los alimentos.
- 2) Presione la tecla STOP una vez para interrumpir el ciclo de cocción.
- 3) La pantalla mostrará el tiempo restante.
- 4) El horno ingresará automáticamente al modo de espera después de cierto tiempo sin presionar ninguna tecla (dependiendo de la opción del usuario 4 seleccionada). Presione la tecla STOP otra vez para reiniciar el aparato al modo “listo”. Presione la tecla START para continuar el ciclo de cocción.

MODO “PROGRAMACIÓN MANUAL”

- 1) Este modo permite programar manualmente el tiempo y la potencia de cocción.
- 2) Para activar este modo, presione la tecla TIME ENTRY mientras el horno está en el modo “Ready”.
- 3) La pantalla mostrará “00:00”. Use las teclas numéricas para elegir el tiempo de cocción.
- 4) Elija el nivel de potencia, presionando la tecla deseada: Hold 0 %, Defrost 20 %, Medium 50 % o Med-Hi 70 %; su selección aparecerá en la pantalla. Nota: Si presiona el mismo botón dos veces, el nivel de potencia volverá al nivel PL10 (100 %). Si no elige ningún nivel de potencia, el nivel por defecto será PL10.
- 5) Presione la tecla START para empezar la cocción. Presione la tecla STOP para interrumpir la cocción.

MODO “COCCIÓN MANUAL”

- 1) Este modo inicia el ciclo de cocción después de la programación manual. Después de haber programado el tiempo y la potencia de cocción, presione la tecla START.
- 2) La pantalla mostrará el tiempo de cocción restante. La luz se encenderá y el ventilador se pondrá en marcha.
- 3) Al final del tiempo, el horno ingresará al modo “fin de ciclo”. Para interrumpir la cocción antes del final, presione la tecla STOP; el horno ingresará el modo de pausa.

MODO “FIN DE CICLO”

- 1) El horno ingresa automáticamente el modo “fin de ciclo” al final del tiempo o del programa de cocción.
- 2) La pantalla mostrará “End” (fin).
- 3) El horno emitirá un pitido para señalar que el ciclo ha terminado. Nota: La señal depende de la opción del usuario 1 elegida. Si ha elegido la opción OP:11 o OP:12, el horno pitará hasta que abra y cierra la puerta, o hasta que presione la tecla STOP. Si ha elegido la opción OP:10, el horno emitirá 3 pitidos y la pantalla mostrará “End” (fin). Si no presiona ninguna tecla por cierto tiempo, el horno ingresa automáticamente al modo de espera.

MODO “COCCIÓN PREPROGRAMADA”

- 1) Este modo permite poner el horno en marcha mediante las teclas preprogramadas. Para activar el programa que corresponde a una tecla, presione la tecla preprogramada deseada, mientras el aparato está en el modo “listo”.
- 2) La pantalla mostrará el tiempo de cocción restante. Nota: Durante la cocción por etapas, el tiempo restante corresponderá al tiempo total, no al tiempo de una etapa particular.
- 3) Si el programa excede el tiempo máximo determinado por la opción del usuario 7, el horno emitirá tres pitidos y la pantalla mostrará “ProG”, lo que indica que el programa no es válido.
- 4) Al final del programa de cocción, el horno ingresará al modo “fin de ciclo”. Para interrumpir la cocción antes del final, presione la tecla STOP; el horno ingresará al modo de pausa.

MODO “CAMBIOS SOBRE LA MARCHA”

Cuando se usa al opción 0:51, este modo permite añadir tiempo/ cambiar el programa durante la cocción.

- 1) Simplemente presione la tecla numérica deseada; el programa de cocción se actualizará automáticamente.
- 2) La pantalla mostrará el tiempo de cocción restante. Al final del tiempo, el horno ingresará al modo “fin de ciclo”.
- 3) Para interrumpir la cocción antes del final, presione la tecla STOP; el horno ingresará al modo de pausa.

MODO “PROGRAMACIÓN”

Este modo permite programar cada tecla numérica para ejecutar un programa de cocción predeterminado.

- 1) Abra la puerta y mantenga presionada la tecla 1 por 5 segundos; el horno emitirá un pitido y activará el modo de programación.
- 2) La pantalla mostrará “ProG”.
- 3) Elegir el número de programa deseado, presionando la(s) tecla(s) correspondiente(s). Fije el tiempo de cocción, usando las teclas numéricas.
- 4) Elija el nivel de potencia, presionando la tecla deseada: Hold 0 %, Defrost 20 %, Medium 50 % o Med-Hi 70 %; su selección aparecerá en la pantalla. Nota: Si presiona el mismo botón dos veces, el nivel de potencia volverá al nivel PL10 (100 %). Si no elige ningún nivel de potencia, el nivel por defecto será PL10.
- 5) Para cambiar el factor de cocción: Presione la tecla X2; la pantalla mostrará el factor de cocción (CF:XX). El factor de cocción por defecto es 80 % (CF:80). Si desea cambiar el factor de cocción, presione la tecla numérica deseada (1 para 10 %, 2 para 20 %, etc.)
- 6) Presione la tecla START para guardar el programa; la pantalla mostrará “ProG”.
- 7) Si el tiempo de cocción total excede el tiempo permitido, use la opción del usuario 7 para cambiar el tiempo máximo de cocción. Presione la tecla START para guardar el programa; el horno emitirá tres pitidos. y la pantalla mostrará “ProG”. El tiempo programado no cambiará.
- 8) Cierre la puerta para volver al modo “Ready”. Para cancelar la programación en cualquier momento, presione la tecla STOP; el horno volverá al modo “puerta abierta”, sin guardar el programa. Si hay un programa almacenado en la memoria, presione la tecla correspondiente para iniciar la cocción. Si la programación no ha sido guardada, el horno emitirá un pitido para avisarle.

Ejemplo:

Programa: nivel de potencia: PL7; tiempo de cocción: 1 minuto y 25 segundos.

Paso 1: Abra la puerta y mantenga presionada la tecla 1 por 5 segundos; la pantalla mostrará “ProG”.

Paso 2: Presione la tecla 3; el programa será guardado en la tecla preprogramada 3.

Paso 3: Presione los números 1, 2 y luego 5 para fijar el tiempo de cocción.

Paso 4: Presione la tecla MED-HI 70 % para elegir la potencia de cocción; la pantalla mostrará “ProG”.

Paso 5: Presione la tecla START para guardar el programa. Para usar el programa, simplemente presione la tecla 3.

Nota:

1. Los cortes eléctricos no afectarán la programación.
2. Para reiniciar una tecla preprogramada, deberá volver a programarla.
3. Si presiona la tecla STOP sin querer durante o al final de la programación, el horno volverá al modo “puerta abierta”, sin guardar el programa.

MODO “COCCIÓN X2”

Este modo permite duplicar el tiempo de cocción del programa deseado.

- 1) Simplemente presione la tecla X2 antes o después de haber presionado la tecla preprogramada deseada; la pantalla mostrará “doub”.
- 2) Para cambiar el factor de cocción (opcional), véase la sección “MODO PROGRAMACIÓN”.
- 3) El ciclo de cocción empezará.
- 4) Al final del programa de cocción, el horno ingresará automáticamente al modo “fin de ciclo”.

COCCIÓN POR ETAPAS

La cocción por etapas permite programar varios ciclos de cocción consecutivos sin interrupción. Es posible programar hasta tres ciclos de cocción distintos en una tecla de memoria preprogramada.

- 1) Tras haber programado la primera etapa de cocción según se describe en la sección “modo de programación”: Presione la tecla TIME ENTRY; a pantalla mostrará “S-2”. Entonces, programe el tiempo y la potencia de cocción de la segunda etapa.

- 2) Presione la tecla TIME ENTRY otra vez; la pantalla mostrará “S-3”. Entonces, programe el tiempo y la potencia de cocción de la tercera etapa.
- 3) Presione la tecla START para empezar la cocción.

Ejemplo:

ETAPA 1

- a. Mantenga la tecla 1 presionada por 5 segundos; la pantalla mostrará “ProG”.
- b. Presione la tecla preprogramada deseada.
- c. Fije el tiempo de cocción deseado.
- d. Elija el nivel de potencia, p. ej., Med-Hi 70 %; la pantalla mostrará “PL7”.

Ya terminó la programación de la primera etapa.

ETAPA 2

- a. Presione la tecla TIME ENTRY; la pantalla mostrará “S-2”.
- b. Fije el tiempo de cocción deseado.
- c. Elija el nivel de potencia, p. ej., Medium 50 %; la pantalla mostrará “PL5”.

Ya terminó la programación de la segunda etapa.

- d. Presione la tecla START para guardar el programa, o la tecla TIME ENTRY para programar una tercera etapa.

CÓMO CAMBIAR LAS OPCIONES DEL USUARIO

Puede cambiar las opciones del usuario según sus preferencias personales.

- 1) Abra la puerta y mantenga presionada la tecla 2 por 5 segundos; el horno emitirá un pitido breve e ingresará al modo “opciones del usuario”.
- 2) La pantalla mostrará “OP: - -”.
- 3) Presione la tecla numérica que corresponde a la opción que desea modificar.

Por ejemplo: Para cambiar el volumen de la señal sonora, presione la tecla 2; la pantalla mostrará “OP:22” (la opción por defecto). Presione repetidamente la tecla 2 para cambiar la opción. La pantalla mostrará todas las opciones, en orden, antes de volver a la opción por defecto.

- 4) Presione la tecla START para guardar los cambios; la pantalla mostrará “OP: - -” otra vez.
- 5) Para cancelar los cambios en cualquier momento, presione la tecla STOP. Nota: Si cierra la puerta, el horno volverá al modo “listo”.
- 6) Si no presiona la tecla START, las modificaciones no serán guardadas.

MODO “SERVICIO”

- 1) Abra la puerta y mantenga presionada la tecla 3 por 5 segundos.
- 2) La pantalla mostrará “SErU”.
- 3) Para comprobar cuántas veces la puerta ha sido abierta/cerrada, presione la tecla 3; la pantalla mostrará el número de veces.
- 4) Para reiniciar: Presione al mismo tiempo las teclas START y 4; la pantalla mostrará “4-CL”.
- 5) Presione la tecla STOP para volver al modo “puerta abierta”. Cierre la puerta para regresar al modo “Ready”.

CÓMO COMPROBAR EL NIVEL DE POTENCIA DURANTE LA COCCIÓN POR ETAPAS

Para comprobar el nivel de potencia durante la cocción, presione la tecla TIME ENTRY; la pantalla mostrará el nivel de potencia durante 3 segundos. Nota: Esta función está disponible durante la cocción por etapas.

CONFIGURACIÓN DE FÁBRICA

Para restaurar la configuración de fábrica, presione al mismo tiempo las teclas START y 0. Presione la tecla START otra vez para restaurar la configuración de fábrica.

INSTRUCCIONES DE LIMPIEZA

Siempre mantenga el horno limpio.

1. **Limpieza de la ventanilla, del interior de la puerta y de la fachada del horno:** Para asegurar un rendimiento óptimo y una seguridad máxima, compruebe que el interior de la

puerta y la fachada del horno están limpios. Límpielos con una esponja humedecida con detergente suave, enjuague y seque. Nunca use limpiadores o estropajos abrasivos.

2. Limpieza del panel de control y otras partes de plástico:

No limpie ninguna parte de plástico con detergente o limpiador alcalino; esto podría dañarlas. Limpie el panel de control y otras partes de plástico con un paño seco solamente.

3. Limpieza del interior del horno: Limpie el interior del horno lo más pronto posible después de la cocción para eliminar las salpicaduras y los residuos. La suciedad puede disminuir la eficacia del horno y causar malos olores. Limpie el interior del horno con un paño humedecido con agua jabonosa tibia y enjuáguelo con un paño humedecido.

PRECAUCIÓN: No limpie las partes de plástico o pintadas con cloro, solventes u otros productos de limpieza; esto puede disolver el plástico/la pintura o deformar la carcasa del horno.

MANTENIMIENTO

Resolución de problemas

Consulte la tabla a continuación para encontrar la solución a los problemas más comunes. Si esto no soluciona el problema, comuníquese con el centro de servicio más cercano.

PROBLEMA	POSIBLE CAUSA	POSIBLE SOLUCIÓN
El horno no se enciende	a. El cable de alimentación no está conectado a una toma de corriente. b. La puerta está abierta. c. Programación incorrecta.	a. Enchufe el cable. b. Cierre la puerta e intente otra vez. c. Chequee las instrucciones.
Chispas	a. Se están usando materiales no aptos para microondas. b. El horno está vacío. c. Hay residuos de alimentos en el horno.	a. Use envases aptos para microondas solamente. b. No haga funcionar el horno vacío. c. Limpie el interior del horno con un paño humedecido.

PROBLEMA	POSIBLE CAUSA	POSIBLE SOLUCIÓN
Los alimentos no se cocinan uniformemente	<ul style="list-style-type: none"> a. Se están usando materiales no aptos para microondas. b. Alimentos parcialmente congelados. c. Tiempo de cocción o el nivel de potencia inadecuados. d. Los alimentos no han sido volteados o revueltos. 	<ul style="list-style-type: none"> a. Use envases aptos para microondas solamente. b. Descongele los alimentos completamente antes de cocinarlos. c. Use el tiempo de cocción y el nivel de potencia adecuados. d. Dé la vuelta o revuelva los alimentos durante la cocción.
Los alimentos se cocinan demasiado	Tiempo de cocción o el nivel de potencia inadecuados.	Use el tiempo de cocción y el nivel de potencia adecuados.
Los alimentos no se cocinan lo suficiente	<ul style="list-style-type: none"> a. Se están usando materiales no aptos para microondas. b. Alimentos parcialmente congelados. c. Los orificios de ventilación del horno están obstruidos. d. Tiempo de cocción o el nivel de potencia inadecuados. 	<ul style="list-style-type: none"> a. Use envases aptos para microondas solamente. b. Descongele los alimentos completamente antes de cocinarlos. c. Compruebe que los orificios de ventilación no están obstruidos. d. Use el tiempo de cocción y el nivel de potencia adecuados.
Los alimentos no se descongelan debidamente	<ul style="list-style-type: none"> a. Se están usando materiales no aptos para microondas. b. Tiempo de cocción o el nivel de potencia inadecuados. c. Los alimentos no han sido volteados o revueltos. 	<ul style="list-style-type: none"> a. Use envases aptos para microondas solamente. b. Use el tiempo de cocción y el nivel de potencia adecuados. c. Dé vuelta o revuelva los alimentos durante la cocción.

IMPORTANTES CONSIGNES DE SÉCURITÉ

1. **LIRE TOUTES LES INSTRUCTIONS AVANT L'UTILISATION.**
2. Lire et respecter tout spécialement les “**PRÉCAUTIONS À SUIVRE POUR ÉVITER UNE ÉVENTUELLE EXPOSITION EXCESSIVE AUX MICRO-ONDES**” en page 42.
3. Comme c'est le cas de tous les appareils de cuisson, il convient d'exercer une surveillance étroite afin d'éviter les débuts d'incendie dans le four.

AVERTISSEMENT : Afin d'éviter le risque de début d'incendie dans le four :

- i) Éviter de faire trop cuire les aliments. Exercer une surveillance étroite lorsque les aliments sont accompagnés de papier, plastique ou tout autre matériau combustible servant à faciliter la cuisson.
 - ii) Retirer les attaches et autres objets métalliques des emballages en plastique/papier avant de les mettre au four à micro-ondes.
 - iii) Si un feu se déclare dans le four, laisser la porte fermée, éteindre (“OFF”) et débrancher l'appareil.
 - iv) Ne rien garder à l'intérieur du four. Ne pas laisser d'articles en papier/carton, d'ustensiles de cuisine ou d'aliments à l'intérieur de l'appareil lorsque vous ne l'utilisez pas.
4. Cet appareil doit être mis à la terre ; le connecter à une prise de terre correctement configurée. Suivre les “**INSTRUCTIONS DE MISE À LA TERRE**” détaillées en page 41.
 5. Installer l'appareil conformément aux instructions d'installation fournies à la page 45.
 6. Ne pas mettre au micro-ondes d'aliments hermétiques par nature, comme des œufs entiers, ou de récipients fermés hermétiquement ; ils pourraient exploser.

AVERTISSEMENT : Afin de réduire le risque de brûlures, de choc électrique, d'incendie, de blessures ou d'exposition excessive aux micro-ondes, respecter des précautions élémentaires de sécurité, parmi lesquelles les suivantes :

7. Utiliser cet appareil uniquement aux fins indiquées dans ce manuel. Ne pas utiliser de produits chimiques corrosifs ou dégageant des vapeurs corrosives dans le four. Ce four a été spécialement conçu pour réchauffer, cuire et déshydrater les

aliments, et non pour être utilisé à des fins industrielles ou médicales.

8. Ne pas utiliser l'appareil si le cordon d'alimentation ou la fiche sont endommagés, s'il ne fonctionne pas correctement, s'il est abîmé ou s'il est tombé.
9. Cet appareil doit être réparé par un technicien qualifié. En cas de problème, contacter le service après-vente autorisé le plus proche afin que l'appareil soit inspecté, réparé ou réglé.
10. Ne pas obstruer ou recouvrir les orifices de ventilation du four.
11. Ne pas entreposer ni utiliser l'appareil à l'extérieur.
12. Ne pas utiliser l'appareil à proximité d'eau, comme près d'un évier ou d'une piscine, ou dans des endroits humides, comme un sous-sol humide.
13. Ne pas plonger le cordon ou la prise dans l'eau.
14. Tenir le cordon d'alimentation éloigné des surfaces chaudes.
15. Ne pas laisser le cordon pendre d'une table ou d'un plan de travail.
16. Nettoyer les surfaces de la porte et du four qui se touchent lorsque la porte est fermée en les essuyant à l'aide d'une éponge ou d'un chiffon doux imbibé de savon/détergent doux non abrasif.

AVERTISSEMENT : Les liquides tels que l'eau, le café ou le thé peuvent chauffer au-delà de leur point d'ébullition sans avoir l'air de bouillir. L'ébullition peut ne pas être visible lorsque vous sortez le contenant du four. DÉPLACER LE CONTENANT OU PLONGER UNE CUILLÈRE OU AUTRE USTENSILE DANS LE LIQUIDE PEUT PROVOQUER UN DÉBORDEMENT DE LIQUIDE BRÛLANT. Pour éviter les risques de brûlure :

- i) Ne pas trop faire chauffer les liquides.
- ii) Mélanger le liquide avant et pendant le réchauffage.
- iii) Ne pas utiliser de contenants à col étroit.
- iv) Après le réchauffage, laisser le contenant reposer dans le four pendant au moins 20 secondes avant de l'en retirer.
- v) Faire très attention lorsque vous plongez une cuillère ou autre ustensile dans le liquide chaud.

17. NE PAS réchauffer les biberons au micro-ondes.

AVERTISSEMENT : NE PAS mettre le four en route sans qu'il n'y ait d'aliments à l'intérieur.

**CONSERVER CES INSTRUCTIONS
USAGE COMMERCIAL AUTORISÉ**

INSTRUCTIONS DE MISE À LA TERRE

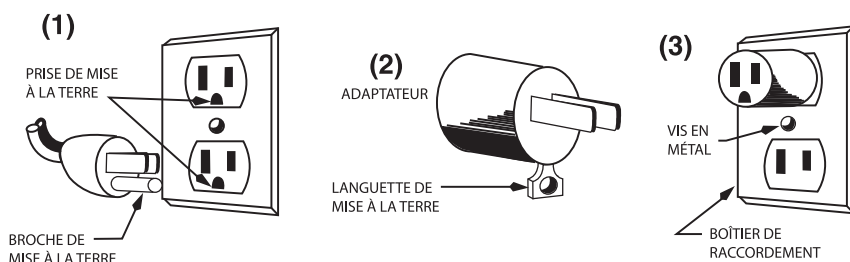
DANGER – Risque de choc électrique

Le contact avec certains des composants internes de l'appareil présente un risque de blessure grave, voire de mort. Ne pas démonter l'appareil.

La mise à la terre inadéquate de l'appareil présente un risque de choc électrique. Ne pas brancher l'appareil avant qu'il ne soit correctement installé et mis à la terre.

Pour votre protection, cet appareil est équipé d'une fiche à trois broches (dont une broche de mise à la terre) devant être branchée dans une prise de terre correctement configurée. En cas de court-circuit, la prise de terre permet au courant de s'échapper, ce qui réduit le risque de choc électrique. L'appareil est muni d'un cordon d'alimentation comportant un fil et une fiche de mise à la terre devant être branchée dans une prise de terre correctement configurée (Fig. 1).

Si vous n'avez pas de prise de terre, un adaptateur peut être utilisé pour brancher l'appareil dans une prise polarisée (Fig. 2). La languette de l'adaptateur doit être mise à la terre, en la fixant à un boîtier de raccordement (Fig. 3) à l'aide d'une vis en métal.



Si vous n'êtes pas certain(e) de bien comprendre les instructions de mise à la terre ou en cas d'incertitude quant à la mise à la terre de l'appareil, consulter un électricien.

UTILISATION DE RALLONGES

S'il est nécessaire d'utiliser une rallonge électrique, utiliser une rallonge munie d'une fiche de terre à trois broches compatible avec la fiche du cordon. Utiliser une rallonge d'intérieur uniquement. Veiller à ce que la tension nominale de la rallonge soit égale ou supérieure à celle de l'appareil. Ne pas utiliser une rallonge si elle est abîmée. Vérifier l'état de la rallonge avant de l'utiliser ; la remplacer en cas

de dommage. Ne pas tirer la rallonge ou le cordon pour les débrancher. Maintenir la rallonge éloignée des surfaces chaudes ou coupantes.

REMARQUE : Le modèle WMO90 est conçu pour utilisation sur 120 V uniquement. Ne pas utiliser l'appareil avec un convertisseur de tension.

PRÉCAUTIONS À SUIVRE POUR ÉVITER UNE ÉVENTUELLE EXPOSITION EXCESSIVE AUX MICRO-ONDES

- (a) **NE PAS** essayer de faire fonctionner l'appareil avec la porte ouverte ; cela vous exposerait aux effets nocifs des micro-ondes. Il est important de ne pas essayer de modifier ou de contrer le système de verrouillage de sécurité intégré au mécanisme de fermeture de la porte.
- (b) **NE RIEN** placer entre l'avant du four et la porte, et ne pas laisser des résidus ou de produits de nettoyage s'accumuler sur les surfaces assurant l'étanchéité de la porte.
- (c) **NE PAS** utiliser le four s'il est endommagé. Il est particulièrement important que la porte ferme bien et que les éléments suivants n'aient subi aucune détérioration :
 - (1) PORTE (déformée)
 - (2) CHANIÈRES ET VERROUS (brisés ou desserrés)
 - (3) JOINTS DE PORTE ET AUTRES SURFACES D'ÉTANCHÉITÉ
- (d) Tout réglage ou réparation doit être effectué(e) par un technicien qualifié.

INTERFÉRENCES RADIO

- 1. Le fonctionnement du four peut provoquer des interférences au niveau de la réception radio, télévision ou autre.
- 2. Les interférences peuvent généralement être réduites ou éliminées au travers de la mise en œuvre d'une ou plusieurs des mesures correctrices suivantes :
 - a) Nettoyer la porte et les surfaces assurant l'étanchéité du four.
 - b) Réorienter l'antenne réceptrice de votre radio ou téléviseur.
 - c) Changer la position ou l'orientation du four par rapport au récepteur.
 - d) Éloigner le four du récepteur radio/télévision.
 - e) Brancher le four et le récepteur radio/télévision sur des circuits électriques différents.

MISE EN GARDE

Risque de blessure

Les contenants hermétiques peuvent exploser pendant la cuisson au micro-ondes. Ouvrir les récipients fermés et percer les sachets en plastique avant la cuisson.

MATÉRIAUX ADAPTÉS AU MICRO-ONDES

Certains matériaux non métalliques ne doivent pas s'utiliser dans le four. Consulter la liste des matériaux compatibles ou non avec les micro-ondes ci-dessous.

En cas d'incertitude quant à la compatibilité d'un récipient/matériau, effectuer le test suivant :

1. Remplir un récipient adapté au micro-ondes avec 1 tasse (235 ml) d'eau froide et mettre le récipient que vous souhaitez tester dans l'eau ; mettre le tout au four.
2. Faire chauffer à la puissance maximale pendant 1 minute.
3. Toucher le récipient testé avec précaution. S'il est chaud, il n'est pas compatible au micro-ondes.
4. Ne pas dépasser 1 minute de chauffage.

MATÉRIAUX ADAPTÉS AU MICRO-ONDES	
Matériau	Remarques
Vaisselle	Spécial micro-ondes uniquement. Suivre les consignes du fabricant. Ne pas utiliser de plats fendus ou ébréchés.
Pots en verre/ bocaux	Toujours retirer le couvercle. Ne les utiliser que pour réchauffer légèrement les aliments. La plupart des pots en verre/bocaux ne sont pas résistants à la chaleur et risquent de se briser.
Récipients en verre	Récipients en verre allant au four uniquement. Vérifier que les plats ne comportent pas de décorations métalliques. Ne pas utiliser de plats fendus ou ébréchés.
Sachets de cuisson au four	Suivre les consignes du fabricant. Ne pas fermer les sachets à l'aide de ligatures métalliques. Faire des fentes dans les sachets pour permettre à la vapeur de s'échapper.

MATÉRIAUX ADAPTÉS AU MICRO-ONDES (SUITE)	
Serviettes en papier/ essuie-tout	Utiliser pour couvrir les aliments et absorber la graisse lorsque vous réchauffez les aliments. Utiliser sous surveillance, et seulement pendant des périodes brèves.
Papier sulfurisé	Utiliser pour éviter les éclaboussures ou envelopper les aliments pour les faire cuire à la vapeur.
Récipients en plastique	Spécial micro-ondes uniquement. Suivre les consignes du fabricant. Doit indiquer que le récipient est adapté aux micro-ondes. Certains récipients en plastique peuvent ramollir pendant la cuisson. Faire des fentes dans les sachets de cuisson à la vapeur et les sachets en plastique hermétiques pour permettre à la vapeur de s'échapper.
Film étirable	Spécial micro-ondes uniquement. Utiliser pour couvrir les aliments et éviter le dessèchement. Le film étirable ne doit pas toucher les aliments.
Thermomètres	Spécial micro-ondes uniquement (thermomètres à viande et sucre).
Papier ciré/ paraffiné	Utiliser pour éviter les éclaboussures et éviter le dessèchement.
MATÉRIAUX NON ADAPTÉS AU MICRO-ONDES	
Plateaux en aluminium	Peuvent causer des étincelles. Mettre les aliments dans un plat adapté aux micro-ondes.
Plats en carton avec poignées en métal	Peuvent causer des étincelles. Mettre les aliments dans un plat adapté aux micro-ondes.
Ustensiles métalliques ou avec des décorations métalliques	Le métal fait écran entre les aliments et l'énergie micro-ondes. Le métal peut causer des étincelles.
Ligatures métalliques	Peuvent causer des étincelles et provoquer un début d'incendie dans le four.
Sachets en papier	Peuvent provoquer un début d'incendie dans le four.
Styrofoam® (polystyrène)	À haute température, le polystyrène risque de fondre et de contaminer les aliments/le liquide qu'il contient.
Bois	Le bois sèche et risque de se fendre.

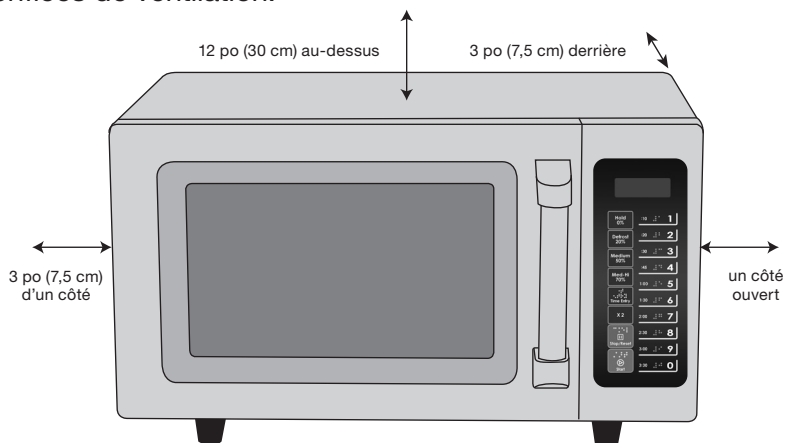
INSTALLATION SUR LE PLAN DE TRAVAIL

Retirer tout le matériel d'emballage et les accessoires. Examiner le four et vérifier qu'il ne présente aucun dommage, comme des bosses ou une porte brisée. Ne pas installer l'appareil s'il est endommagé.

Intérieur du four : Retirer le film protecteur qui recouvre les parois du four.

INSTALLATION

Choisir un endroit plat offrant suffisamment d'espace pour la prise et les orifices de ventilation.

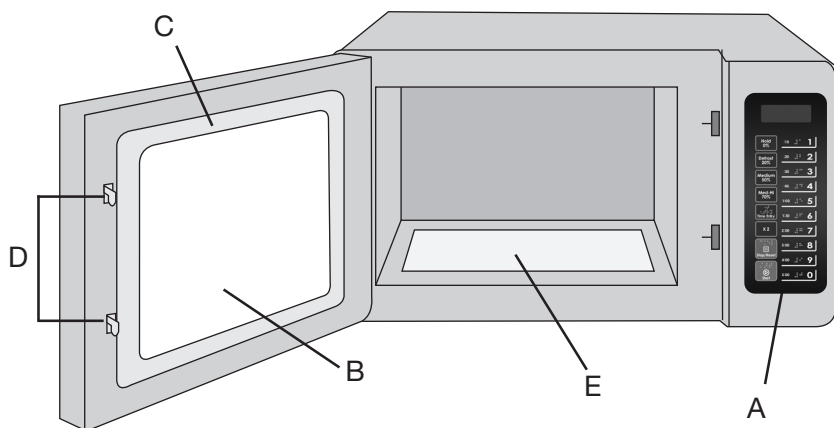


1. Laisser un espace d'au moins 3 po (7,5 cm) entre le four et toute surface adjacente. Un côté doit rester ouvert.
 - (a) Laisser un espace d'au moins 12 po (30 cm) au-dessus du four.
 - (b) Ne pas retirer les pieds du four.
 - (c) Ne pas bloquer la prise ou les sorties d'air ; cela risquerait d'endommager le four.
 - (d) Choisir un emplacement aussi éloigné que possible des postes de radio ou de télévision. Le fonctionnement du four peut provoquer des interférences au niveau de la réception radio/télévision.
2. Brancher le four dans une prise adaptée ayant les mêmes tension et fréquence que celles indiquées sur la plaque signalétique de l'appareil.

AVERTISSEMENT : Ne pas installer le four au-dessus d'une cuisinière ou d'un appareil produisant de la chaleur ; la chaleur risquerait d'endommager le four, ce qui annulerait la garantie.

INSTALLATION DU FOUR

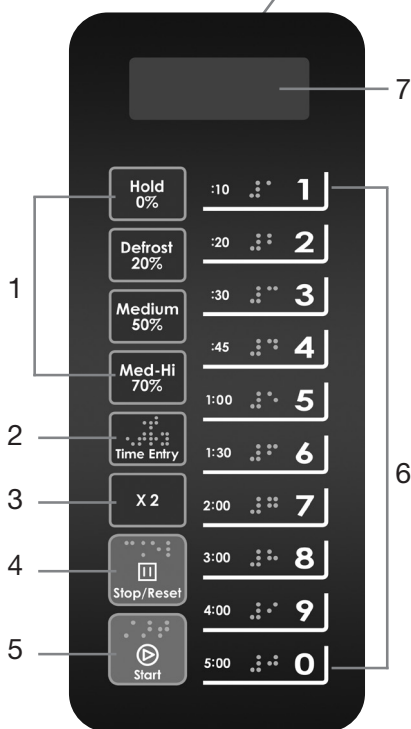
Retirer le matériel d'emballage et toute documentation se trouvant à l'intérieur du four. Garder le manuel d'utilisation pour référence ultérieure.



- A) Panneau de contrôle
- B) Fenêtre
- C) Porte
- D) Mécanisme de verrouillage de sécurité
- E) Surface céramique

PANNEAU DE CONTRÔLE

- 1) Touches de réglage du niveau de puissance
- 2) Touche de programmation du temps de cuisson
- 3) Touche X2
- 4) Touche arrêt/réinitialisation
- 5) Touche marche
- 6) Touches numériques
- 7) Afficheur LED



SPÉCIFICATIONS	
Modèle	WMO90
Tension nominale :	120 V ~ 60 Hz
Puissance d'entrée nominale :	1550 W
Puissance de sortie nominale :	1000 W
Capacité du four :	0,9 pieds cubes (25 L)
Dimensions :	20,1 x 17 x 12,2 po (51 x 43 x 31 cm)
Poids net approximatif :	32 lb (14,5 kg)

FONCTIONNEMENT

Niveaux de puissance :

Le four a cinq niveaux de puissance.

Niveau	HIGH (haut)	MED-HI (moyen-haut)	MEDIUM (moyen)	DEFROST (décongélation)	HOLD (pause)
Puissance	100 %	70 %	50 %	20 %	0 %
Affichage	PL10	PL7	PL5	PL2	PL0

Options de l'utilisateur

(réglages d'usine en caractère gras)

Option	Affichage	Description
1 Signal de fin de cycle	OP:10	3 bips sonores
	OP:11	Bip continu jusqu'à ouverture de la porte
	OP:12	5 bips rapides continus jusqu'à ouverture de la porte
2 Volume du signal sonore	OP:20	OFF (éteint)
	OP:21	LOW (bas)
	OP:22	MEDIUM (moyen)
	OP:23	HIGH (haut)
3 Signal sonore des touches	OP:30	OFF (éteint)
	OP:31	ON (allumé)

4 Temps maximum pour appuyer sur les touche	OP:40	15 secondes
	OP:41	30 secondes
	OP:42	60 secondes
	OP:43	120 secondes
5 Modifications en cours de programme	OP:50	Option désactivée (modifications en cours de programme interdites)
	OP:51	Option activée (modifications en cours de programme autorisées)
6 Réinitialisation à l'ouverture de la porte	OP:60	Option désactivée (l'ouverture de la porte met le four en mode "pause")
	OP:61	Option activée (l'ouverture de la porte réinitialise le four)
7 Temps de cuisson maximal	OP:70	60 minutes
	OP:71	10 minutes
8 Programmation manuelle	OP:80	Programmation manuelle désactivée (seules les touches préprogrammées peuvent être utilisées)
	OP:81	Programmation manuelle activée
9 Programmes à une/ deux touches	OP:90	10 programmes à une touche (0 à 9)
	OP:91	100 programmes à deux touches (00 à 99)

Temps de cuisson par défaut

Sauf indication contraire dans les spécifications, le four est préprogrammé avec les temps de cuisson suivants:

Touche	Temps de cuisson	Puissance	Facteur de cuisson
1	0:10	100 %	80 %
2	0:20	100 %	80 %
3	0:30	100 %	80 %
4	0:45	100 %	80 %
5	1:00	100 %	80 %
6	1:30	100 %	80 %
7	2:00	100 %	80 %
8	3:00	100 %	80 %
9	4:00	100 %	80 %
0	5:00	100 %	80 %

MISE EN SERVICE

Lors de la première mise en service, "-- --" apparaît sur l'afficheur. Appuyer sur la touche STOP pour mettre l'appareil en mode veille.

Remarque : Vous ne pourrez appuyer sur aucune touche lorsque l'appareil est en mode veille.

MODE VEILLE

- 1) Le four se met automatiquement en mode veille après un certain temps d'inactivité (pressage de touche, ouverture/fermeture de la porte) Remarque : Le délais de retour en mode veille est contrôlé par l'option de l'utilisateur 4.
- 2) Dans ce mode, l'afficheur n'indiquera aucune information.
- 3) Ouvrir puis refermer la porte désactivera le mode veille et activera le mode "Ready" (prêt).

MODE "PRÊT"

- 1) Le mode "Ready" indique que le four est prêt pour commencer la cuisson.
- 2) Ouvrir, puis refermer la porte alors que l'appareil est en mode veille activera le mode "prêt".
- 3) L'afficheur indiquera "0:00".
- 4) Depuis ce mode, le four peut entrer dans n'importe quel autre mode.

MODE "PORTE OUVERTE"

- 1) L'appareil se met automatiquement en mode "porte ouverte" lorsqu'on ouvre la porte du four. Ouvrir la porte permet également d'entrer dans le mode de programmation.
- 2) Dans ce mode, l'afficheur n'affichera aucune information, mais le ventilateur et l'éclairage seront allumés.
- 3) Si l'option d'utilisateur OP:60 est sélectionnée et que vous ouvrez la porte pendant la cuisson, le four se mettra en mode pause. Lorsque vous refermez la porte, le programme de cuisson continuera.
- 4) Si l'option d'utilisateur OP:61 est sélectionnée, ouvrir et refermer la porte arrêtera et annulera le programme de cuisson en cours.

MODE “PAUSE”

- 1) Le mode “pause” permet à l'utilisateur d'interrompre temporairement la cuisson pour inspecter ou mélanger les aliments.
- 2) Appuyer sur la touche STOP une fois pour activer le mode pause.
- 3) L'afficheur indiquera le temps de cuisson restant.
- 4) Le four se mettra automatiquement en mode “pause” après un certain temps sans presser de touche (le temps maximum pour appuyer sur une touche est contrôlé par l'option de l'utilisateur 4). Appuyer sur la touche STOP une deuxième fois pour réinitialiser le four au mode “prêt”. Appuyer sur la touche START pour continuer la cuisson.

MODE “PROGRAMMATION MANUELLE”

- 1) Ce mode permet à l'utilisateur de programmer manuellement le temps et la puissance de cuisson.
- 2) Pour activer ce mode, appuyer sur la touche TIME ENTRY alors que le four est en mode “Ready”.
- 3) L'afficheur indiquera “00:00”. Utiliser les touches numériques pour programmer le temps de cuisson.
- 4) Choisir le niveau de puissance en appuyant sur la touche voulue : Hold 0%, Defrost 20%, Medium 50% ou Med-Hi 70% ; l'afficheur indiquera votre sélection. Remarque : Appuyer sur la même touche deux fois réinitialisera le four à la puissance maximale (100 %). Si vous ne choisissez aucun niveau de puissance, le niveau par défaut sera PL10.
- 5) Appuyer sur la touche START pour commencer la cuisson. Appuyer sur la touche STOP pour interrompre la cuisson.

MODE “CUISSON MANUELLE”

- 1) Ce mode met l'appareil en marche après la programmation manuelle. Une fois le temps et la puissance de cuisson programmés, appuyer sur la touche START.
- 2) L'afficheur indiquera le temps de cuisson. l'éclairage s'allumera et le ventilateur se mettra en marche.
- 3) À la fin du temps de cuisson, le four entrera automatiquement dans le mode “fin de cycle”. Si vous souhaitez interrompre la cuisson avant la fin du temps, appuyer sur la touche STOP ; le four se mettra en mode “pause”.

MODE “FIN DE CYCLE”

- 1) Le four entre automatiquement dans le mode “fin de cycle” à la fin du temps programmé ou du programme de cuisson.
- 2) L'afficheur indiquera “End” (fin).
- 3) Le four sonne pour indiquer que le cycle est terminé.
Remarque : Le signal sonore dépend de l'option d'utilisateur 1 sélectionnée. Si vous avez choisi l'option OP:11 ou OP:12, le four sonnera jusqu'à ce que vous ouvriez puis refermez la porte, ou bien appuyiez sur la touche STOP. Si l'option OP:10 est sélectionnée, le four se réinitialisera automatiquement après le signal sonore de 3 bips; l'afficheur indiquera “End” (fin). Si vous n'appuyez sur aucune touche pendant un certain temps, le four se mettra automatiquement en mode veille.

MODE “CUISSON PRÉPROGRAMMÉE”

- 1) Ce mode permet de mettre le micro-ondes en route à l'aide des touches préprogrammées. Appuyer sur la touche voulue, alors que l'appareil est en mode “prêt”, pour activer le programme correspondant à cette touche.
- 2) L'afficheur indiquera le temps de cuisson. Remarque : Lors de la cuisson par étapes, le temps affiché correspond au temps total, et non au temps d'une étape particulière.
- 3) Si le programme choisi excède le temps de cuisson maximum (déterminé par l'option de l'utilisateur 7), le four sonnera trois fois et l'afficheur indiquera “ProG”, ce qui indique que le programme est invalide.
- 4) À la fin du programme de cuisson, le four entrera automatiquement dans le mode “fin de cycle”. Si vous souhaitez interrompre la cuisson avant la fin, appuyer sur la touche STOP.

MODE “MODIFICATIONS EN COURS DE PROGRAMME”

Lorsque vous utilisez l'option d'utilisateur OP:51, ce mode permet d'ajouter du temps/changer le programme pendant la cuisson.

- 1) Appuyer simplement sur la touche numérique voulue ; le programme de cuisson se mettra à jour automatiquement.
- 2) L'afficheur indiquera le temps de cuisson restant. À la fin du programme de cuisson, le four entrera automatiquement dans le mode “fin de cycle”.
- 3) Si vous souhaitez interrompre la cuisson avant la fin, appuyer sur la touche STOP. Le four se mettra en mode pause.

MODE “PROGRAMMATION”

Ce mode permet à l'utilisateur de programmer chaque touche numérique pour exécuter un programme de cuisson défini à l'avance.

- 1) Ouvrir la porte et appuyer sur la touche 1 pendant 5 secondes ; le four sonnera et activera le mode de programmation.
- 2) L'afficheur indiquera “ProG”.
- 3) Choisir le numéro de programme voulu, en appuyant sur la/les touche(s) numérique(s) correspondante(s). Programmer le temps de cuisson à l'aide des touches numériques.
- 4) Choisir le niveau de puissance désiré, en appuyant sur la touche Hold 0%, Defrost 20%, Medium 50% or Med-Hi 70% ; l'afficheur indiquera votre sélection. Remarques : Appuyer sur le même bouton deux fois réinitialisera le four à la puissance maximale (PL10/100 %). Si vous ne choisissez aucun niveau de puissance, le niveau par défaut sera PL10.
- 5) Pour changer le facteur de cuisson : Appuyer sur la touche X2 ; l'afficheur indiquera le facteur de cuisson. Le facteur de cuisson par défaut est 80 % (CF:80). Si vous souhaitez changer le facteur de cuisson, appuyer sur la touche numérique désirée (1 pour 10 %, 2 pour 20 %, etc.)
- 6) Appuyer sur la touche START pour sauvegarder le programme ; l'afficheur indiquera “ProG”.
- 7) Si le temps de cuisson excède le temps de cuisson autorisé, utiliser l'option d'utilisateur 7 pour augmenter le temps maximum de cuisson. Appuyer à nouveau sur la touche START ; le four sonnera trois fois. et l'afficheur indiquera “ProG”. Remarque: Le temps programmé ne changera pas.
- 8) Fermer la porte pour retourner au mode “Ready”. Pour annuler la programmation à n'importe quel moment pendant celle-ci, appuyer sur la touche STOP ; le four retournera au mode “porte ouverte”, sans sauvegarder le programme. Si un programme est gardé en mémoire, appuyer sur la touche correspondante pour commencer la cuisson. Si la programmation n'a pas été sauvegardée, le four sonnera pour vous avertir.

Exemple de programmation :

Programme : niveau de puissance : PL7 ; temps de cuisson : 1 minute et 25 secondes.

Étape 1 : Ouvrir la porte et appuyer sur la touche 1 pendant 5 secondes ; l'afficheur indiquera “ProG”.

Étape 2 : Appuyer sur la touche 3 ; le programme sera sauvegardé dans la touche préprogrammée 3.

Étape 3 : Appuyer sur les touches 1, 2 puis 5 pour programmer le temps de cuisson.

Étape 4 : Appuyer sur la touche MED-HI 70% pour programmer la puissance de cuisson ; l'afficheur indiquera "PL7".

Étape 5 : Appuyer sur la touche START pour sauvegarder le programme. Pour utiliser le programme, appuyer simplement sur la touche préprogrammée 3.

Remarque :

1. Les coupures électriques n'affecteront pas la programmation.
2. Pour réinitialiser une touche préprogrammée, il vous faudra la reprogrammer.
3. Si vous appuyez sur la touche STOP par erreur pendant ou à la fin de la programmation, le four retournera au mode "porte ouverte" sans sauvegarder le programme.

MODE "CUISSON X2"

Ce mode permet à l'utilisateur de doubler le temps de cuisson du programme voulu.

- 1) Appuyer simplement sur la touche X2 avant ou après avoir appuyé sur la touche préprogrammée voulue ; l'afficheur indiquera "doub".
- 2) Pour modifier le facteur de cuisson (facultatif), voir la section "Mode de programmation".
- 3) Le programme de cuisson commencera.
- 4) À la fin du programme de cuisson, le four entrera automatiquement dans le mode "fin de cycle".

CUISSON PAR ÉTAPES

La cuisson par étapes permet la programmation de cycles de cuisson consécutifs sans interruption. Il est possible de programmer jusqu'à trois cycles de cuisson différents dans une même touche de mémoire préprogrammée.

- 1) Une fois la première étape de cuisson programmée selon les instructions détaillées dans la section "Mode de programmation" :

Appuyer sur la touche TIME ENTRY ; l'afficheur indiquera "S-2". Programmer la durée et la puissance de cuisson de la deuxième étape.

2) Appuyer à nouveau sur la touche TIME ENTRY ; l'afficheur indiquera "S-3". Programmer la durée et la puissance de cuisson de la troisième étape.

3) Appuyer sur la touche START pour commencer la cuisson.

Exemple de programmation :

ÉTAPE 1

- a. Appuyer sur la touche 1 pendant 5 secondes ; l'afficheur indiquera "ProG".
- b. Appuyer sur la touche préprogrammée désirée, par exemple, la touche 3.
- c. Programmer le temps de cuisson voulu.
- d. Choisir la puissance voulue, par exemple Med-Hi 70% ; l'afficheur indiquera "PL7".

La première étape de cuisson est programmée.

ÉTAPE 2

- a. Appuyer sur la touche TIME ENTRY ; l'afficheur indiquera "S-2".
- b. Programmer le temps de cuisson voulu.
- c. Choisir la puissance voulue, par exemple Medium 50%. l'afficheur indiquera "PL5".

La deuxième étape de cuisson est programmée.

- d. Appuyer sur la touche START pour sauvegarder la programmation, ou bien sur TIME ENTRY pour programmer une troisième étape.

MODIFICATION DES OPTIONS DE L'UTILISATEUR

Les options de l'utilisateur peuvent être modifiées selon les préférences individuelles.

- 1) Ouvrir la porte et appuyer sur la touche 2 pendant 5 secondes ; le four sonnera et passera au mode "options de l'utilisateur".
- 2) L'afficheur indiquera "OP: - -".

- 3) Appuyer sur la touche numérique correspondant à l'option que vous souhaitez modifier.
Par exemple : Pour changer le volume du signal sonore, appuyer sur la touche 2 ; l'afficheur indiquera "OP:22" (l'option par défaut). Appuyer sur la touche numérique le nombre de fois nécessaire pour changer l'option ; l'afficheur indiquera tour à tour chaque option disponible (OP:20, OP:21, OP:22 et OP:23), avant de revenir à l'option par défaut (OP:20).
- 4) Appuyer sur la touche START pour enregistrer les modifications. L'afficheur indiquera à nouveau "OP: - -".
- 5) Pour annuler les modifications à n'importe quel moment, appuyer sur la touche STOP. Remarque: Si vous refermez la porte, le four passera au mode "prêt".
- 6) Si vous n'appuyez pas sur la touche START, les modifications ne seront pas enregistrées.

MODE "SERVICE"

- 1) Ouvrir la porte et appuyer sur la touche 3 pendant 5 secondes.
- 2) L'afficheur indiquera "SErU".
- 3) Pour vérifier le nombre de fois où la porte a été ouverte/fermée, appuyer sur la touche 3 ; l'afficheur indiquera le nombre de fois.
- 4) Pour remettre à zéro : appuyer simultanément sur les touches START et 4 ; l'afficheur indiquera "4-CL".
- 5) Appuyer sur la touche STOP pour retourner au mode "porte ouverte". Fermer la porte pour retourner au mode "Ready".

VÉRIFICATION DU NIVEAU DE PUISSANCE PENDANT LA CUISSON

Pour vérifier le niveau de puissance pendant la cuisson, appuyer sur la touche TIME ENTRY ; l'afficheur indiquera le niveau de puissance pendant 3 secondes. Remarque : Cette fonction est disponible lors de la cuisson par étapes uniquement.

RÉGLAGES D'USINE

Pour rétablir les réglages d'usine, appuyer simultanément sur les touches START et 0. Appuyer sur la touche START une nouvelle fois pour rétablir les réglages d'usine.

NETTOYAGE ET ENTRETIEN

Toujours garder le four propre.

1. **Nettoyage de la fenêtre, de l'intérieur de la porte et de l'avant du four** : Pour un maximum de rendement et de sécurité, il convient de maintenir l'espace entre l'intérieur de la porte et l'avant du four propre. Les essuyer à l'aide d'une éponge imbibée de détergent doux, rincer et sécher. Ne pas utiliser de nettoyeurs abrasifs ou de tampons à récurer.
2. **Nettoyage du panneau de contrôle et autres parties en plastique** : Ne nettoyer aucune des parties en plastique de l'appareil à l'aide de détergent ou de produit de nettoyage alcalin ; cela pourrait les endommager. Nettoyer le panneau de contrôle et autres parties en plastique du four à l'aide d'un linge sec uniquement.
3. **Nettoyage de l'intérieur du four** : Nettoyer l'intérieur du four aussitôt que possible après la fin de la cuisson pour éliminer les éclaboussures et résidus. Utiliser le four alors qu'il est sale peut réduire son efficacité et causer des mauvaises odeurs. Nettoyer l'intérieur du four à l'aide d'un chiffon imbibé d'eau savonneuse tiède, puis le rincer à l'aide d'un chiffon légèrement humide.

MISE EN GARDE : Ne pas essuyer les sections en plastique ou peintes du four avec de l'eau de Javel, des diluants/dissolvants ou d'autres agents nettoyants ; cela pourrait dissoudre le plastique/la peinture ou déformer le four.

ENTRETIEN

Résolution de problèmes

Consulter le tableau ci-dessous pour trouver la solution aux problèmes techniques les plus courants. Si cela ne solutionne pas le problème, contacter le service après-vente le plus proche.

PROBLÈME	CAUSE POSSIBLE	SOLUTION POSSIBLE
Le four ne se met pas en marche	<ul style="list-style-type: none"> a. Le cordon électrique n'est pas branché. b. La porte est ouverte. c. Programmation incorrecte. 	<ul style="list-style-type: none"> a. Brancher le cordon dans une prise de courant. b. Fermer la porte et essayer à nouveau. c. Vérifier les instructions.
Étincelles	<ul style="list-style-type: none"> a. Matériau non adapté aux micro-ondes. b. Le four est vide. c. Il y a des résidus d'aliments dans le four. 	<ul style="list-style-type: none"> a. Utiliser un contenant adapté aux à micro-ondes. b. Ne pas faire fonctionner le four à vide. c. Nettoyer l'intérieur du four à l'aide d'un chiffon humide.
Cuisson irrégulière	<ul style="list-style-type: none"> a. Matériau non adapté aux micro-ondes. b. Les aliments ne sont pas complètement décongelés. c. Temps ou puissance de cuisson inadéquats. b. Vous n'avez pas mélangé les aliments. 	<ul style="list-style-type: none"> a. Utiliser un contenant adapté aux à micro-ondes. b. Décongeler complètement les aliments avant de les faire cuire. c. Vérifier que vous utilisez le temps et la puissance de cuisson adéquats. d. Retourner ou mélanger les aliments en cours de cuisson.
Aliments trop cuits	Temps ou puissance de cuisson inadéquats.	Vérifier que vous utilisez le temps et la puissance de cuisson adéquats.
Aliments pas assez cuits	<ul style="list-style-type: none"> a. Matériau non adapté aux micro-ondes. b. Les aliments ne sont pas complètement décongelés. c. Grilles de ventilation obstruées. d. Temps ou puissance de cuisson inadéquats. 	<ul style="list-style-type: none"> a. Utiliser un contenant adapté aux à micro-ondes. b. Décongeler complètement les aliments avant de les faire cuire. c. Vérifier que les grilles de ventilation sont propres et qu'elles ne sont pas obstruées. d. Vérifier que vous utilisez le temps et la puissance adéquats.
Décongélation inadéquate	<ul style="list-style-type: none"> a. Matériau non adapté aux micro-ondes. b. Temps ou puissance de cuisson inadéquats. c. Vous n'avez pas retourné ou mélangé les aliments. 	<ul style="list-style-type: none"> a. Utiliser un contenant adapté aux à micro-ondes. b. Vérifier que vous utilisez le temps et la puissance adéquats. c. Retourner ou mélanger les aliments.

Trademarks or service marks of third parties used herein are the trademarks or service marks of their respective owners.

Todas las marcas registradas, comerciales o de servicio mencionadas en este documento pertenecen a sus titulares respectivos.

Toutes les marques déposées, commerciales ou de service ci-incluses appartiennent à leurs propriétaires respectifs.

**©2021 Waring Commercial
314 Ella T. Grasso Ave.
Torrington, CT 06790**

www.waringcommercialproducts.com

**Printed in China
Impreso en China
Imprimé en Chine**

**WMO90 IB
21WC077897**

IB-13200A