



TL 45 DG

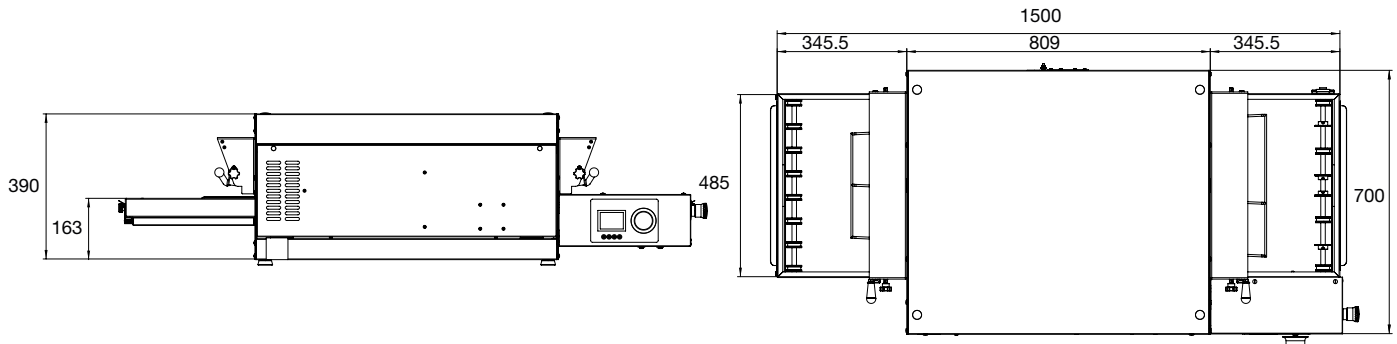
Tunnel pizza oven
Counter top
Electric
static oven
45 cm belt

High performance with a small footprint, only 70 cm width. Max temperature 400°C and independent set of ceiling / bedplate power guarantee excellent results and delivers exceptional uniform cooking.



Technical features

- Electric static oven.
- Stackable up to 2 units.
- Only 70 cm wide: it can be easily positioned on most counters.
- Maximum operating temperature 400°C.
- Energy efficiency thanks to the high-tight insulation that limits heat dispersion and ensures a contact-proof external temperature.
- Frontal maintenance.
- Digital control panel for a quick setting of the parameters.
- 45 cm (17") belt width made of steel to ensure strength and durability.
- Independent control (set 0 - 100%) of ceiling and bedplate heating elements (3+3).
- Cooking mode: Energy saving (max kW limited to 5) and full power (8kW).
- Belt speed: settable from 30 seconds to 20 minutes.
- Removable crumb trays placed under the conveyor belt at the entrance and exit.
- Entry and exit bulkheads with window adjustable in height (4 positions).



Mod.	kW Max*	Electrical**	Baking chamber	Dimensions	Net weight
		Volt Hz Ph	cm (W x D x H)	cm (W x D x H)	kg
TL 45 DG	8	400 50/60 3N	80 x 45 x 10,5	150 x 70 x 39	92

*kW Max = Power rating (maximum available installed power) **Special voltages available upon request

Available on request version for regeneration only /heating of product **single-phase** with installed power **3kW** – Max temp. **250°C**

Average hourly output*



Pizza ø 30-35 cm
34/h



Pizza ø 45 cm
15/h



Tray 60 x 40 cm
7/h

*Values quoted are average and approximate only

Optionals

Neutral hood, stand with castors, belt extensions.

Digital control panel

MAX TEMPERATURE 400°C
Setting and display

CEILING AND BEDPLATE POWER (0-100%)
Setting and display

COOKING MODE
Limited to 5kW max – Full power 8kW max

CHAMBER LIGHTING

BELT SPEED
30" – 20'

BELT ROTATION DIRECTION

SCHEDULED AUTO SWITCH ON

CLEANING PROGRAMME

ECO MODE
Energy saving during stand-by

The specifications shown in this document are to be considered not binding. OEM Ali Group S.r.l. reserves the right to make technical changes at any moment.