

# Apach

COOK *line*

## APTG-47TL/PL

### APMFTG74AR

Catalogo parti di ricambio valido  
dalla matricola 0000001 (31.10.2006) ad oggi (21.11.2023)

Catalogue pieces detachees  
valable à partir du numero de Série n. 0000001 (31.10.2006) jusqu'à aujourd'hui  
(21.11.2023)

Ersatzteilkatalog  
gültig ab Serien-Nr. 0000001 (31.10.2006) bis heute (21.11.2023)

Spare parts catalogue  
valid from serial no. 0000001 (31.10.2006) up today (21.11.2023)

Catálogo de peças de reposição  
válido do número de série 0000001 (31.10.2006) até hoje (21.11.2023)

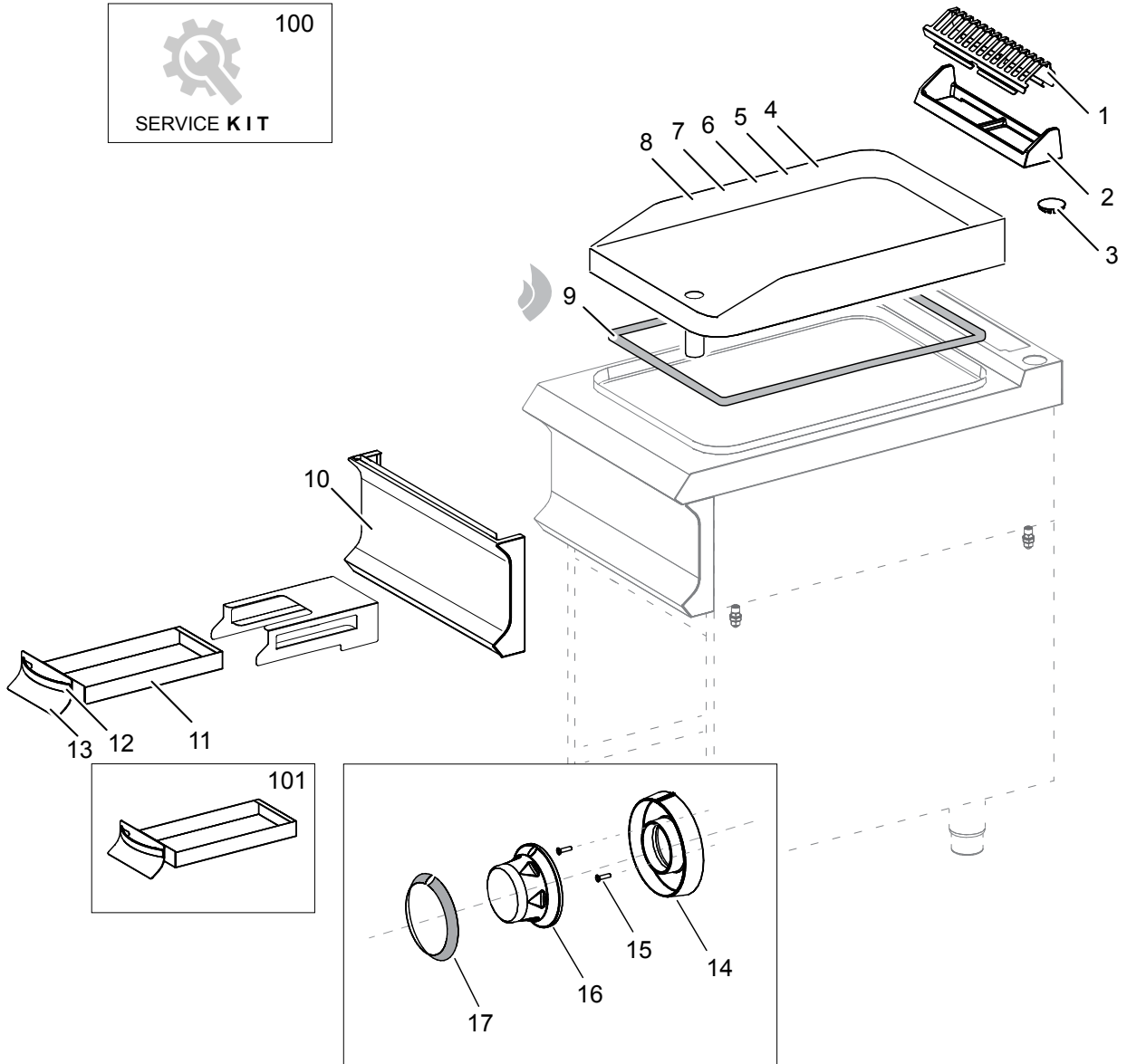
Le informazioni sono considerate non vincolanti. Le immagini rappresentate sono puramente indicative. Il produttore si riserva il diritto di apportare modifiche in qualsiasi momento senza preavviso.

Les informations données ne sont pas contraignantes. Les images montrées sont à titre indicatif. Le producteur se réserve le droit d'apporter des modifications sans préavis.

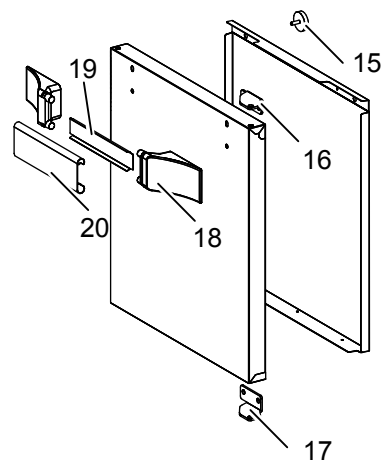
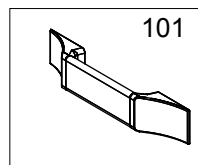
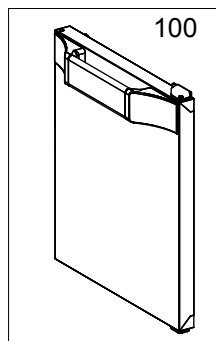
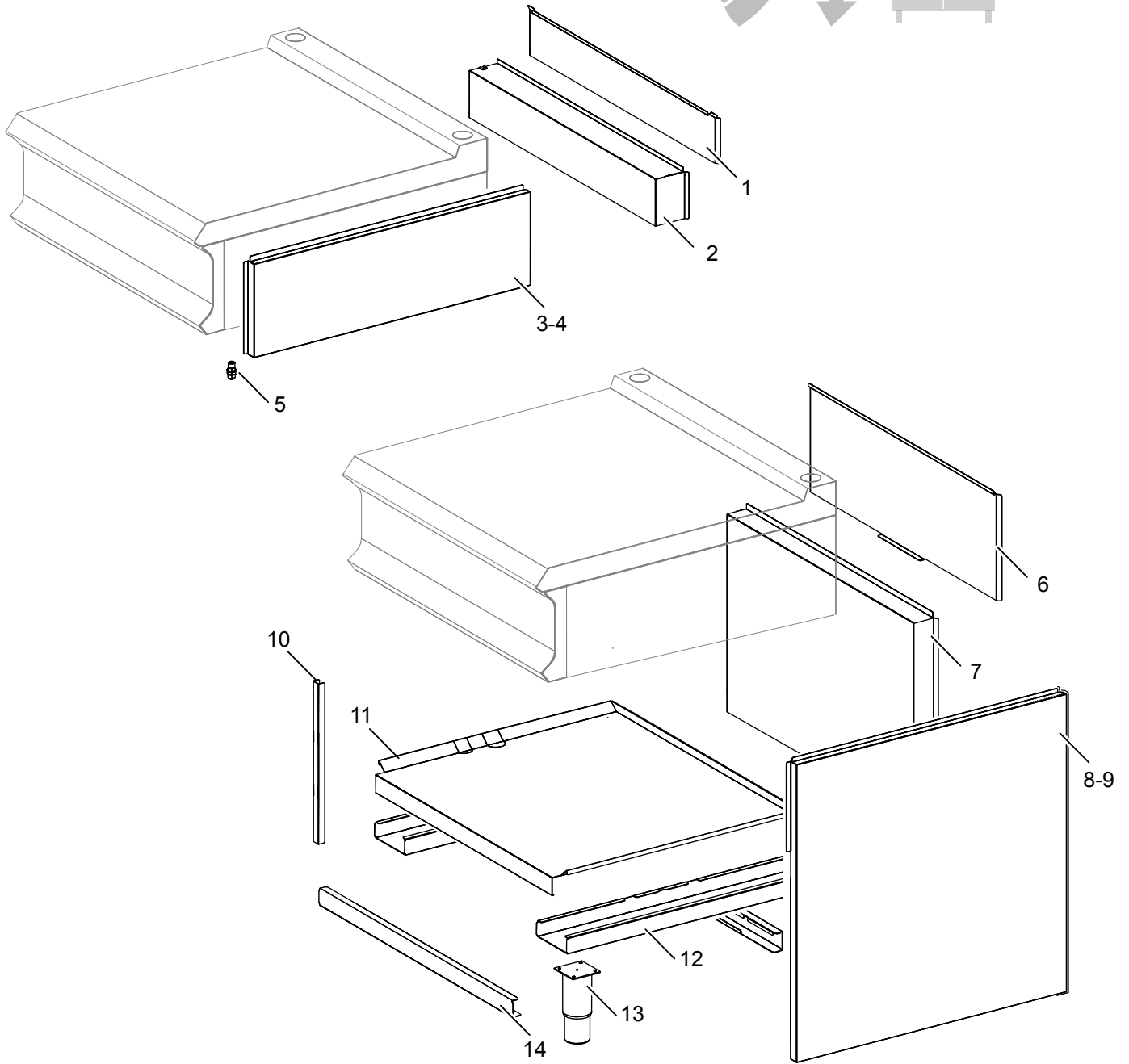
Die im vorliegenden Dokument aufgeführten Informationen und Bilder sind unverbindlich. Der Hersteller behält sich das Recht vor, jederzeit ohne vorherige Ankündigung Änderungen vorzunehmen

Info and drawing could be slightly different from reality and they cannot be considered as compelling. Manufacturer can modify info anytime without forewarning.

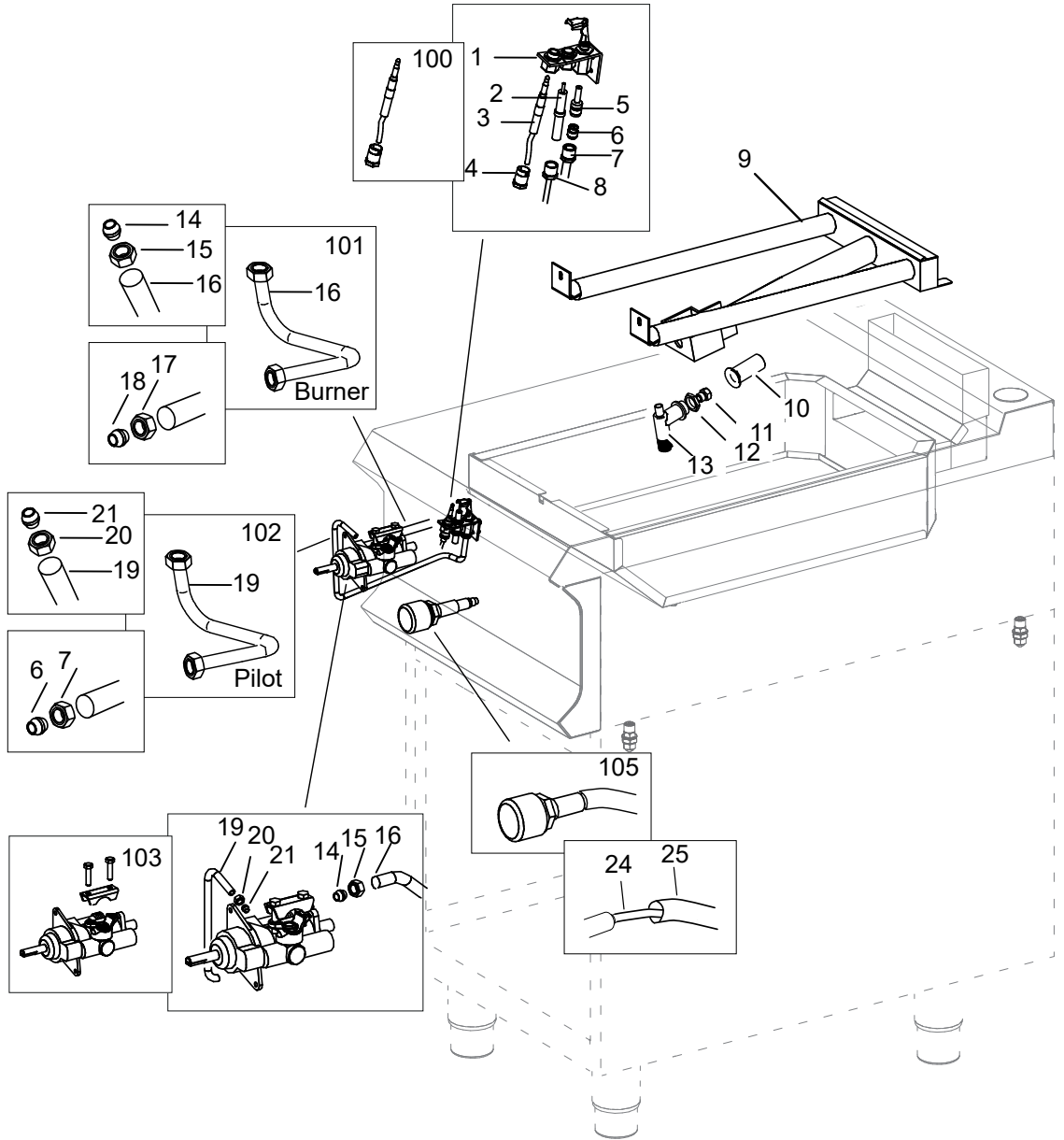
As Informações e desenhoS podem estar um pouco diferente da realidade e são puramente indicativas. O fabricante pode modificar estas informações a qualquer momento sem aviso prévio.



<b>Nr.</b>	<b>Code</b>	<b>Title</b>	<b>Recommended</b>
1.	202046	<i>CHIMNEY GRILL</i>	
4.	201878	<i>STRIPED HOB</i>	
9.	163290	<i>INSULATION</i>	
10.	202817	<i>CONTROL PANEL</i>	
11.	203182	<i>OIL DRAWER</i>	
12.	160270	<i>HANDLE SATIN NICKEL</i>	
13.	202870	<i>EXTERNAL DRAWER PANEL</i>	
16.	168867	<i>BURNER KNOB</i>	
17.	206135	<i>THERMOSTAT RING 290°</i>	
100.	ECS7016	<i>RECOMMENDED PARTS FOR FTBG74-77</i>	
101.	RIC0005135	<i>OIL DRAWER COMPLETE</i>	
102.	RIC0005333	<i>EXTENSION DRAIN</i>	



<b>Nr.</b>	<b>Code</b>	<b>Title</b>	<b>Recommended</b>
6.	200036	<i>BACK SIDE TALL</i>	
7.	200033	<i>BACK SIDE LOWER</i>	
8.	200031	<i>LATERAL SIDE RIGHT</i>	
9.	200032	<i>LATERAL SIDE LEFT</i>	
11.	200015	<i>REMOVABLE LOWER FLOOR</i>	
12.	200030	<i>CROSS FEET</i>	
13.	RTCU700277	<i>FOOT</i>	
14.	200029	<i>FRONT / REAR CROSS MEMBER</i>	



<b>Nr.</b>	<b>Code</b>	<b>Title</b>	<b>Recommended</b>
1.	RTCP800034	SIT 1 WAY PILOT BURNER ( TARGET)	✓
2.	RTCP800033	IGNITION PLUG ROUND 7X44 LENGHT 58 MM	✓
3.	RTCU700296	THERMOCOUPLE	✓
4.	RTCP800038	FIXING NUT FOR TARGET THERMOCOUPLE	✓
5.	INIETTORE	SEE HANDBOOK NOZZLES	
6.	RTCU800183	BICONE D.6 MM.11	
7.	RTCU800182	NUT AC.D.6 BLACK HEIGHT 11 MM.	
8.	RTCU900215	FIXING NUT SIT FOR SPARK ELECTRODES	✓
9.	186315	BURNER	✓
10.	RTCU700584	AIR REGULATOR BURNER 18X42	
11.	INIETTORE	SEE HANDBOOK NOZZLES	
12.	RTCU900005	LOCK NUT	
13.	RTCU900337	INJECTOR SUPPORT	
19.	201658	LEFT BURNER PILOT PIPE	
20.	RTCU800339	NUT D.6	
21.	RTCU900018	BICONE D.6 MM.6	
24.	RTCU900384	OVEN LIGHTING CABLE	✓
25.	168890	TRASPARENT SILICON PIPE	
100.	RTCU900474-00	KIT THERMOCOUPLE	
101.	201659	LEFT BURNER FEED PIPE	
102.	RIC0005146	LEFT PILOT TUBE KIT	
103.	RIC0004862	GAS THERMOSTAT	✓
105.	RIC0004096	PIEZO IGNITION + LIGHTING CABLE	✓