

Apach
COOK *line*

APMTPG77FG

APMTPG77FG

Catalogo parti di ricambio valido
dalla matricola 0000001 (31.10.2006) ad oggi (21.11.2023)

Catalogue pieces detachees
valable à partir du numero de Série n. 0000001 (31.10.2006) jusqu'à aujourd'hui
(21.11.2023)

Ersatzteilkatalog
gültig ab Serien-Nr. 0000001 (31.10.2006) bis heute (21.11.2023)

Spare parts catalogue
valid from serial no. 0000001 (31.10.2006) up today (21.11.2023)

Catálogo de peças de reposição
válido do número de série 0000001 (31.10.2006) até hoje (21.11.2023)

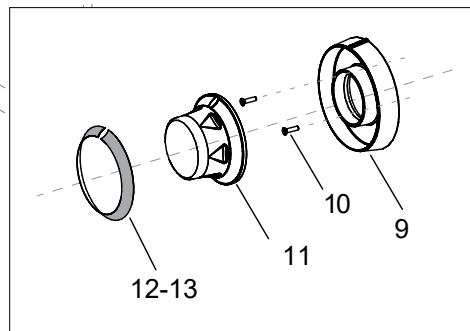
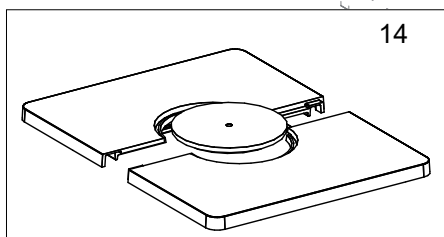
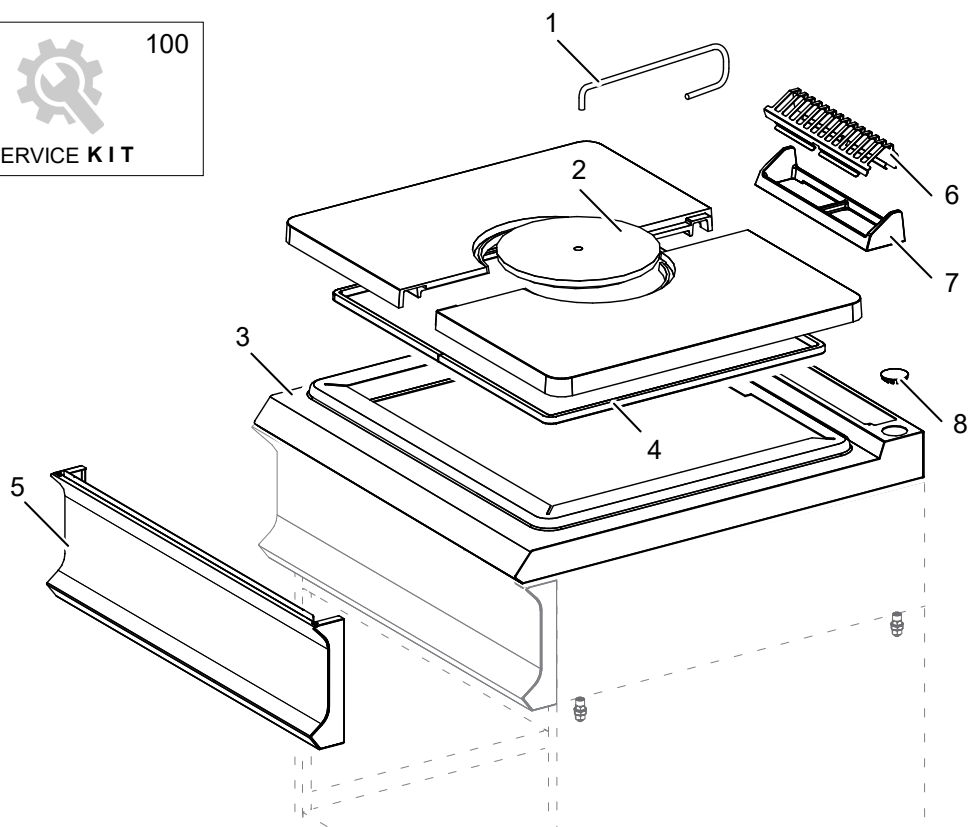
Le informazioni sono considerate non vincolanti. Le immagini rappresentate sono puramente indicative. Il produttore si riserva il diritto di apportare modifiche in qualsiasi momento senza preavviso.

Les informations données ne sont pas contraignantes. Les images montrées sont à titre indicatif. Le producteur se réserve le droit d'apporter des modifications sans préavis.

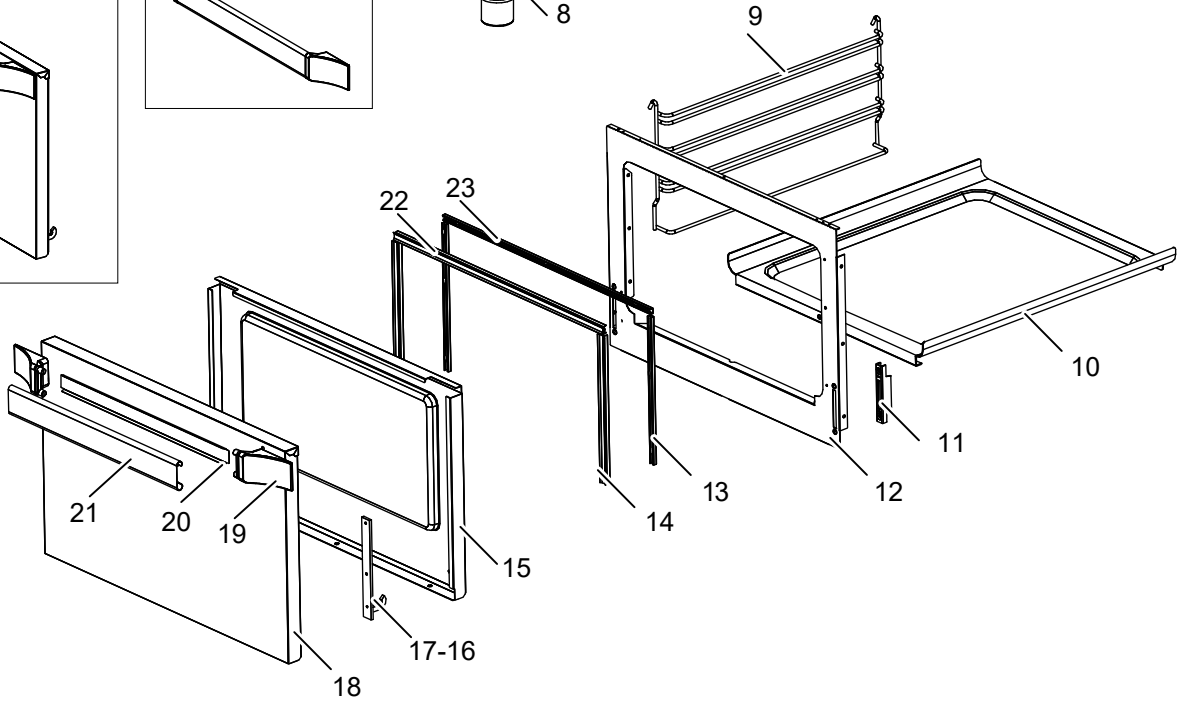
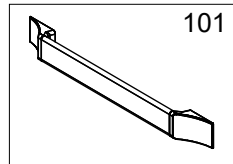
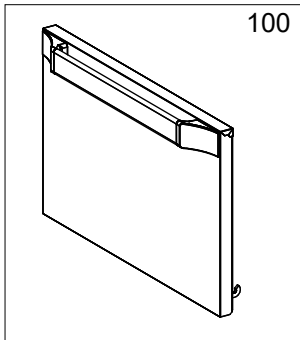
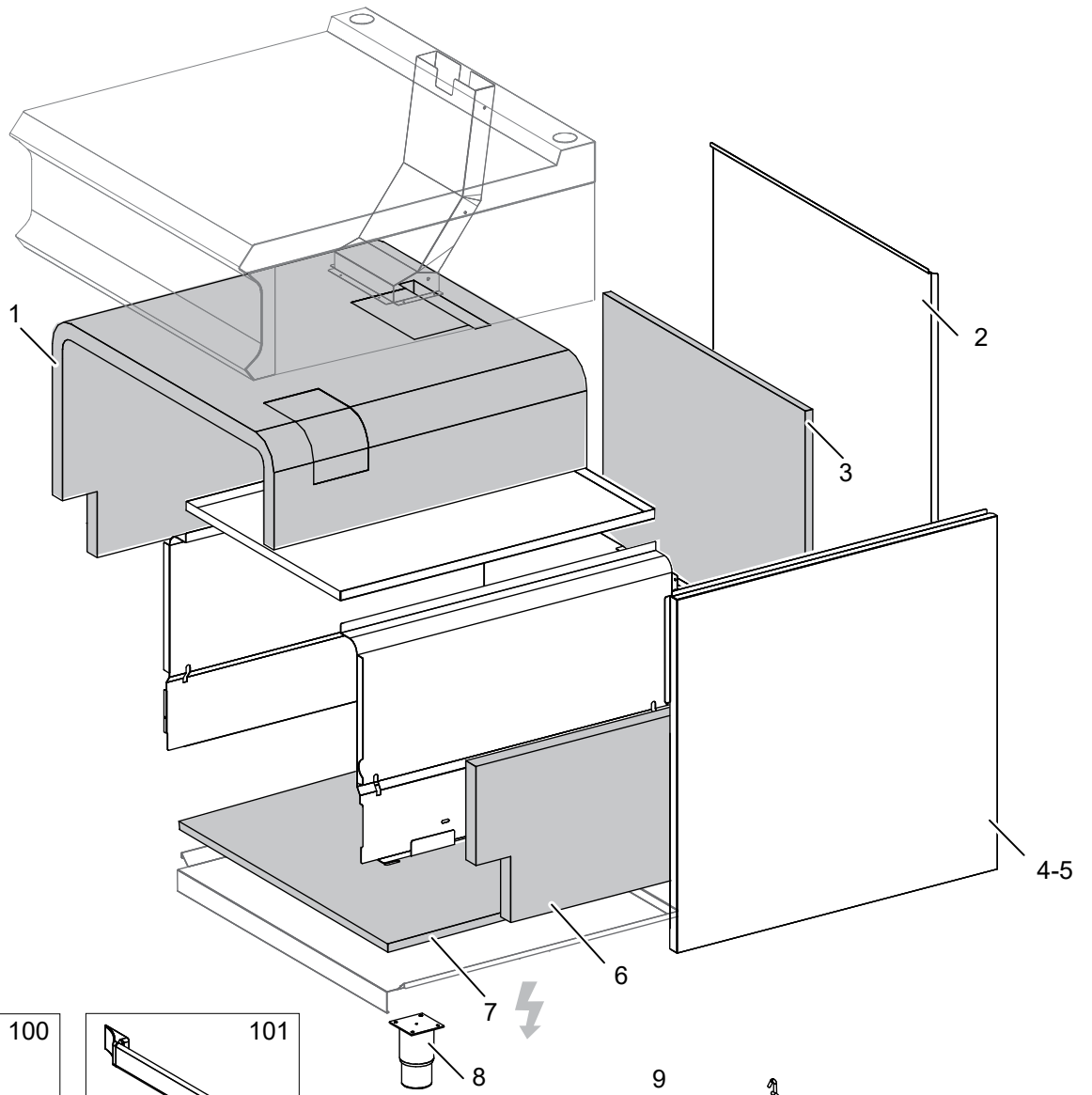
Die im vorliegenden Dokument aufgeführten Informationen und Bilder sind unverbindlich. Der Hersteller behält sich das Recht vor, jederzeit ohne vorherige Ankündigung Änderungen vorzunehmen

Info and drawing could be slightly different from reality and they cannot be considered as compelling. Manufacturer can modify info anytime without forewarning.

As Informações e desenhoS podem estar um pouco diferente da realidade e são puramente indicativas. O fabricante pode modificar estas informações a qualquer momento sem aviso prévio.

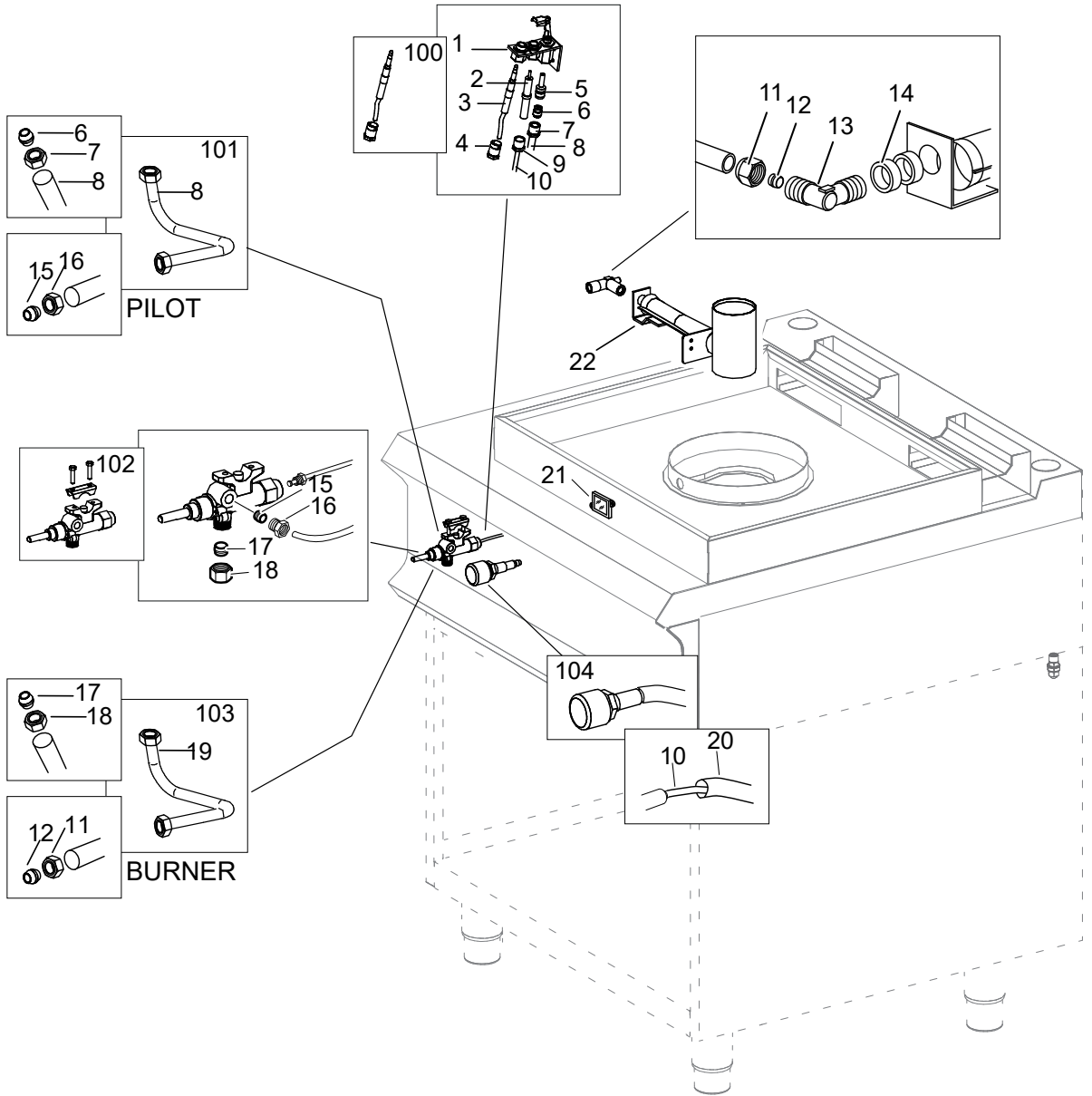


Nr.	Code	Title	Recommended
1.	RTCU900030	<i>SOLID TOP HOOK</i>	
2.	RTCU700366	<i>CENTER DISK</i>	
3.	202030	<i>WORK PLANE</i>	
4.	163292	<i>INSULATION</i>	
5.	202827	<i>CONTROL PANEL</i>	
6.	202046	<i>CHIMNEY GRILL</i>	
11.	168867	<i>BURNER KNOB</i>	
12.	199108	<i>KNOB RING</i>	
13.	199112	<i>OVEN RING</i>	
14.	RTCU700288	<i>WORK PLANE 3 PCS</i>	
100.	ECS7024	<i>RECOMMENDED PARTS FOR TPG77FG</i>	

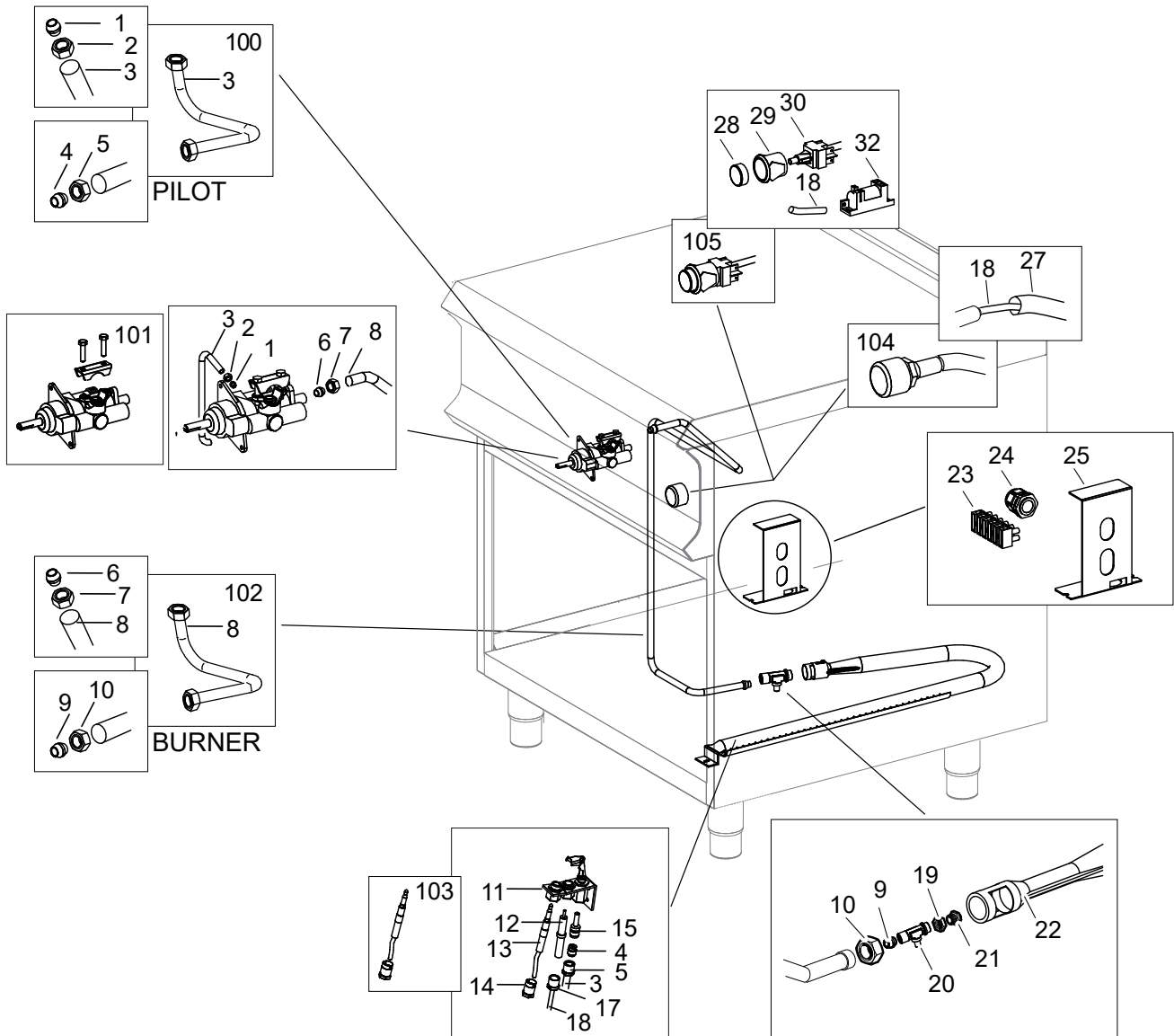


2

Nr.	Code	Title	Recommended
1.	166251	INSULATING PANEL LEFT	
2.	200112	BACK SIDE	
3.	167386	INSULATING PANEL	
4.	200031	LATERAL SIDE RIGHT	
5.	200032	LATERAL SIDE LEFT	
6.	166252	INSULATING PANEL UPPER RIGHT	
8.	RTCU700277	FOOT	
9.	167223	OVEN'S LATERAL GUIDES	
10.	167218	OVEN PLATE	
11.	RTCU900004	OVEN DOOR HINGE ROLL HOLDER	
12.	200098	FRONT PANEL	
13.	184105	SIDE SEAL PROFILE	
14.	163888	LATERAL GASKET FOR OVEN DOOR	✓
15.	200063	OVEN DOOR COUNTER	
16.	RTCU900027	OVEN LEFTHAND HINGE	✓
17.	RTCU900026	RIGHT HINGE DOOR	✓
18.	201948	OVEN DOOR	
19.	RTCU800001	HANDLE TERMINAL	
21.	168346	HANDLE	
22.	164738	TOP GASKET	✓
23.	184110	UPPER OVEN GASKET PROFILE	
100.	RIC0005011	OVEN DOOR COMPLETE	
101.	RIC0005019	HANDLE OVEN	



Nr.	Code	Title	Recommended
1.	RTCP800034	SIT 1 WAY PILOT BURNER (TARGET)	✓
2.	RTCP800033	IGNITION PLUG ROUND 7X44 LENGHT 58 MM	✓
3.	RTCU900474	THERMOCOUPLE	✓
4.	RTCP800038	FIXING NUT FOR TARGET THERMOCOUPLE	✓
5.	INIETTORE	SEE HANDBOOK NOZZLES	
6.	RTCU800183	BICONE D.6 MM.11	
7.	RTCU800182	NUT AC.D.6 BLACK HEIGHT 11 MM.	
8.	173422	BURNER PILOT PIPE	
9.	RTCU900215	FIXING NUT SIT FOR SPARK ELECTRODES	✓
10.	RTBF800308	IGNITION CABLE CM 150	✓
13.	RTCU700001	INJECTOR SUPPORT	
14.	RTCU900005	LOCK NUT	
15.	RTCU900018	BICONE D.6 MM.6	
16.	RTCU900019	NUT D.6 HEIGHT 10,5 MM.	
20.	168890	TRASPARENT SILICON PIPE	
21.	RTBF900054	DISPLAY	
22.	GACU700131	BURNER 9KW	✓
100.	RTCU900474-00	KIT THERMOCOUPLE	
101.	RIC0004963	KIT PILOT PIPE	
102.	RIC0004953	KIT GAS TAP	✓
103.	173421	FEEDING PIPE FOR BURNER	
104.	RIC0004096	PIEZO IGNITION + LIGHTING CABLE	✓



Nr.	Code	Title	Recommended
1.	RTCU900018	BICONE D.6 MM.6	
2.	RTCU900019	NUT D.6 HEIGHT 10,5 MM.	
3.	173389	OVEN PILOT PIPE	
4.	RTCU800183	BICONE D.6 MM.11	
5.	RTCU800182	NUT AC.D.6 BLACK HEIGHT 11 MM.	
11.	RTCP800034	SIT 1 WAY PILOT BURNER (TARGET)	✓
12.	RTCP800033	IGNITION PLUG ROUND 7X44 LENGHT 58 MM	✓
13.	RTCU900061	THERMOCOUPLE 120 CM TARGET	✓
14.	RTCP800038	FIXING NUT FOR TARGET THERMOCOUPLE	✓
15.	INIETTORE	SEE HANDBOOK NOZZLES	
17.	RTCU900215	FIXING NUT SIT FOR SPARK ELECTRODES	✓
18.	RTBF800308	IGNITION CABLE CM 150	✓
19.	RTCU900005	LOCK NUT	
20.	162697	INJECTOR SUPPORT	
21.	INIETTORE	SEE HANDBOOK NOZZLES	
22.	167224	OVEN BURNER	✓
27.	168890	TRASPARENT SILICON PIPE	
100.	RIC0004958	KIT OVEN PILOT PIPE	
101.	RIC0004862	GAS THERMOSTAT	✓
102.	173388	FEEDING PIPE FOR OVEN BURNER	✓
103.	RTCU900474-00	KIT THERMOCOUPLE	
104.	RIC0004096	PIEZO IGNITION + LIGHTING CABLE	✓