

Apach COOK *line*

Catalogo parti di ricambio valido
dalla matricola 0000001 (31.10.2006) ad oggi (22.11.2023)

Catalogue pieces detachees
valable à partir du numero de Série n. 0000001 (31.10.2006) jusqu'à aujourd'hui
(22.11.2023)

Ersatzteilkatalog
gültig ab Serien-Nr. 0000001 (31.10.2006) bis heute (22.11.2023)

Spare parts catalogue
valid from serial no. 0000001 (31.10.2006) up today (22.11.2023)

Catálogo de peças de reposição
válido do número de série 0000001 (31.10.2006) até hoje (22.11.2023)

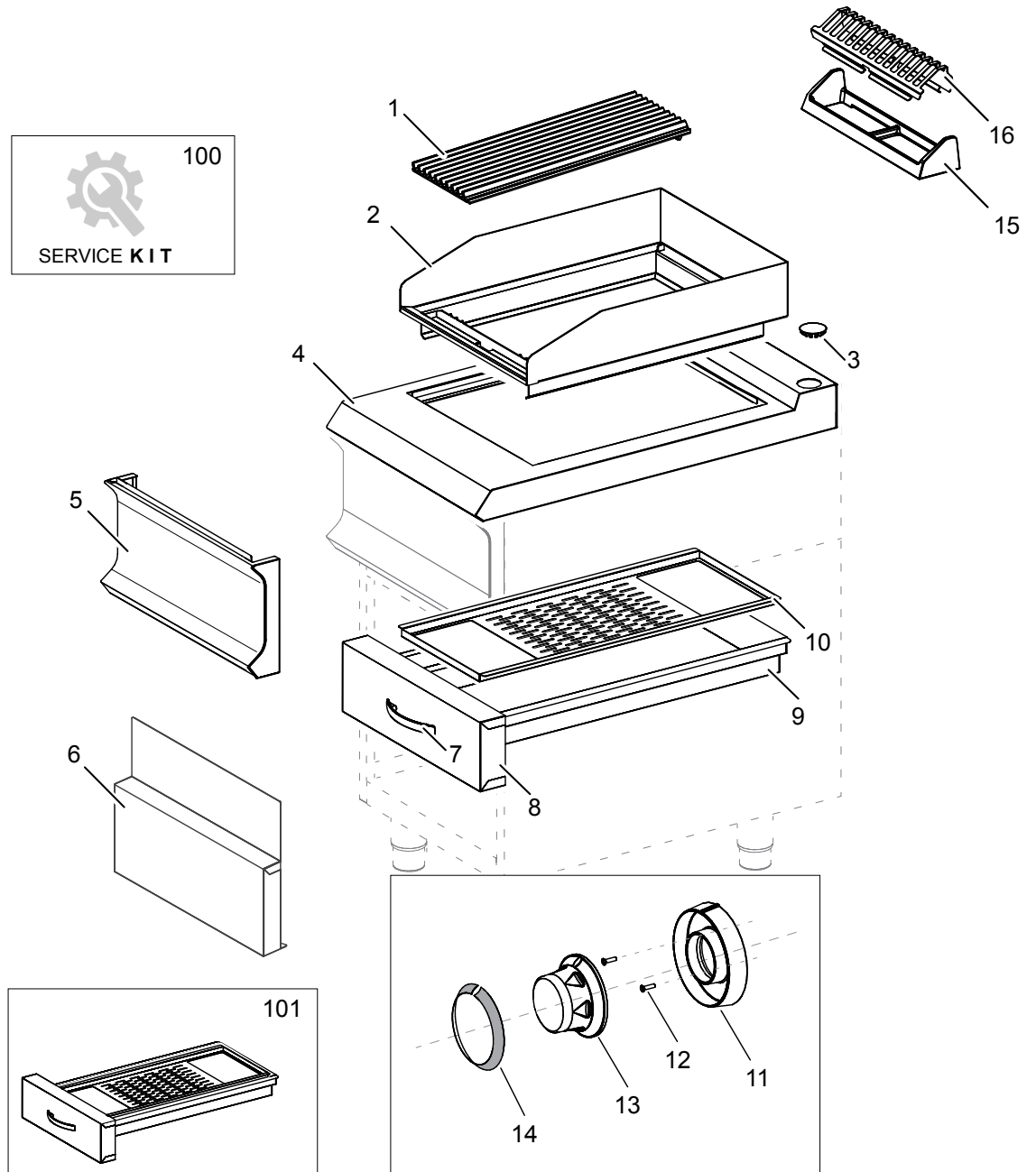
Le informazioni sono considerate non vincolanti. Le immagini rappresentate sono puramente indicative. Il produttore si riserva il diritto di apportare modifiche in qualsiasi momento senza preavviso.

Les informations données ne sont pas contraignantes. Les images montrées sont à titre indicatif. Le producteur se réserve le droit d'apporter des modifications sans préavis.

Die im vorliegenden Dokument aufgeführten Informationen und Bilder sind unverbindlich. Der Hersteller behält sich das Recht vor, jederzeit ohne vorherige Ankündigung Änderungen vorzunehmen

Info and drawing could be slightly different from reality and they cannot be considered as compelling. Manufacturer can modify info anytime without forewarning.

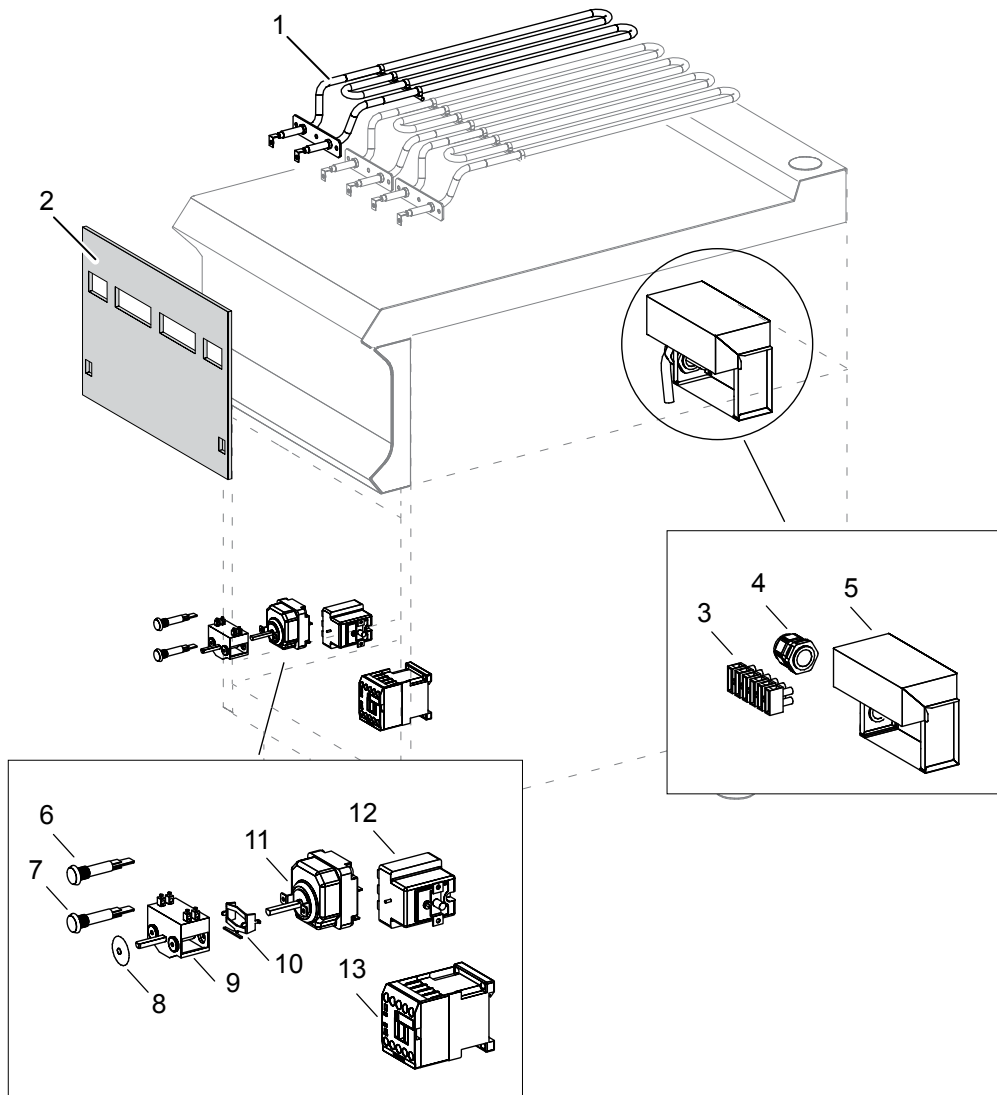
As Informações e desenhoS podem estar um pouco diferente da realidade e são puramente indicativas. O fabricante pode modificar estas informações a qualquer momento sem aviso prévio.



Nr.	Code	Title	Recommended
1.	203625	CAST IRON GRID	
2.	203917		
4.	203914	WORK PLANE	
5.	202321	CONTROL PANEL	
6.	203862	FRONT PANEL	
7.	160270	HANDLE SATIN NICKEL	
8.	184139	DRAWER PANEL	
9.	203695	DRAWER	
13.	202200	ELECTRIC KNOB BODY M-PLUS	
14.	200488	THERMOSTAT RING	
16.	202046	CHIMNEY GRILL	
17.	203576	OIL DRAWER	
100.	ECS9055	RECOMMENDED PARTS FOR D77EF42V	
101.	RIC0005176	WATER DRAWER COMPLETE	



Nr.	Code	Title	Recommended
6.	200036	<i>BACK SIDE TALL</i>	
7.	200033	<i>BACK SIDE LOWER</i>	
8.	201557	<i>LEFT SIDE</i>	
9.	201556	<i>RIGHT SIDE</i>	
12.	201554	<i>CROSS FEET</i>	
13.	RTCU700277	<i>FOOT</i>	
14.	200029	<i>FRONT / REAR CROSS MEMBER</i>	



Nr.	Code	Title	Recommended
1.	203699	HEATING ELEMENT 2,3KW	✓
2.	201410	INSULATING PANEL	✓
3.	RTBF900045	TERMINAL BOARD	✓
4.	RTBF800138	CHOCK	✓
5.	204566	CABINET TERMINAL BLOCK PROTECTION	
6.	166466	ORANGE LAMP LIGHT	✓
7.	166465	GREEN WARNING LIGHT	✓
8.	RTCU800185	GASKET FOR COMMUTATOR ROD	✓
9.	RTCU900110	THERMOSTAT COMMUTATOR	✓
10.	RTBF900037	LOW BRACKET COMMUTATOR/THERMOSTAT	
11.	184712	WORKING THERMOSTAT T.236°C	✓
12.	189742	SAFETY THERMOSTAT	✓
13.	RTFOC00466	RELAJ	✓