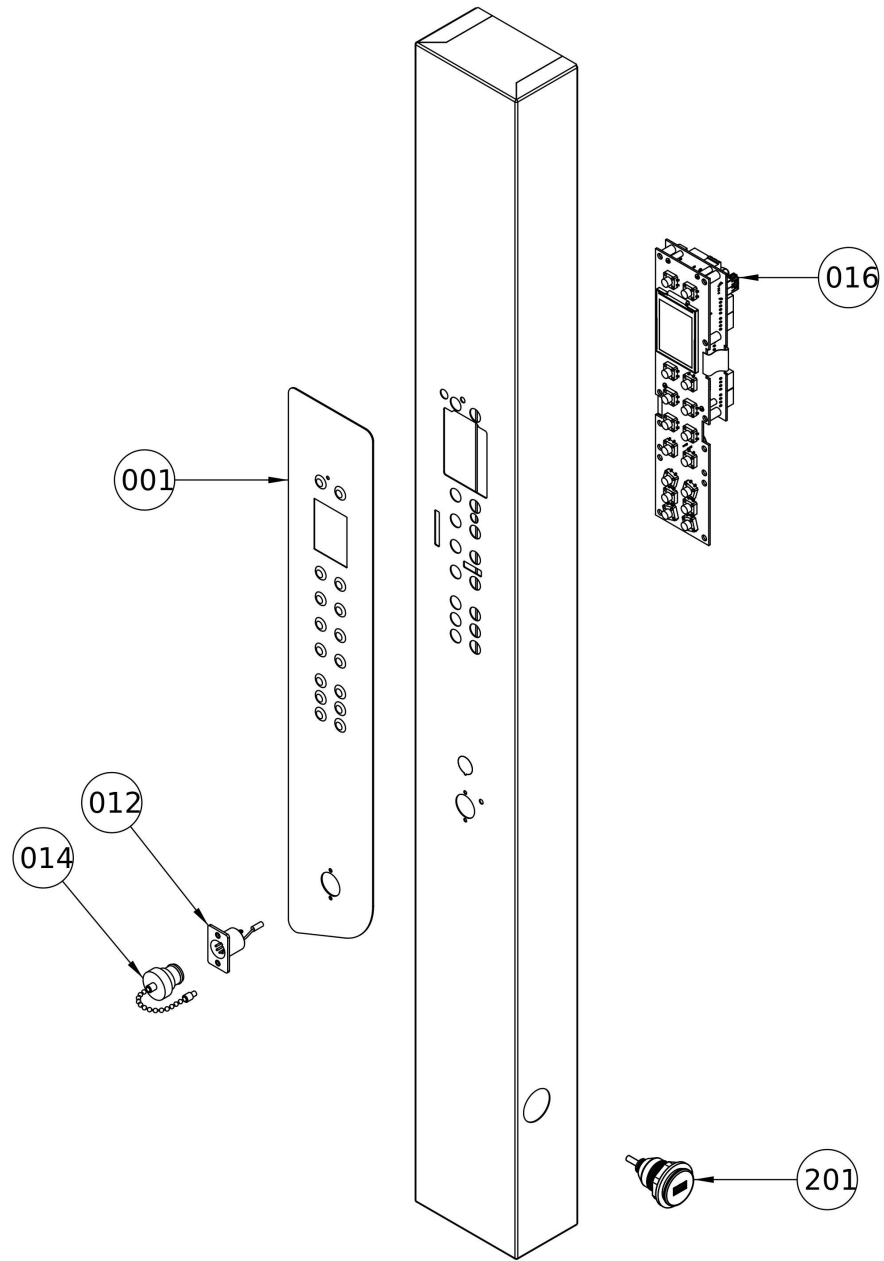


Oven body

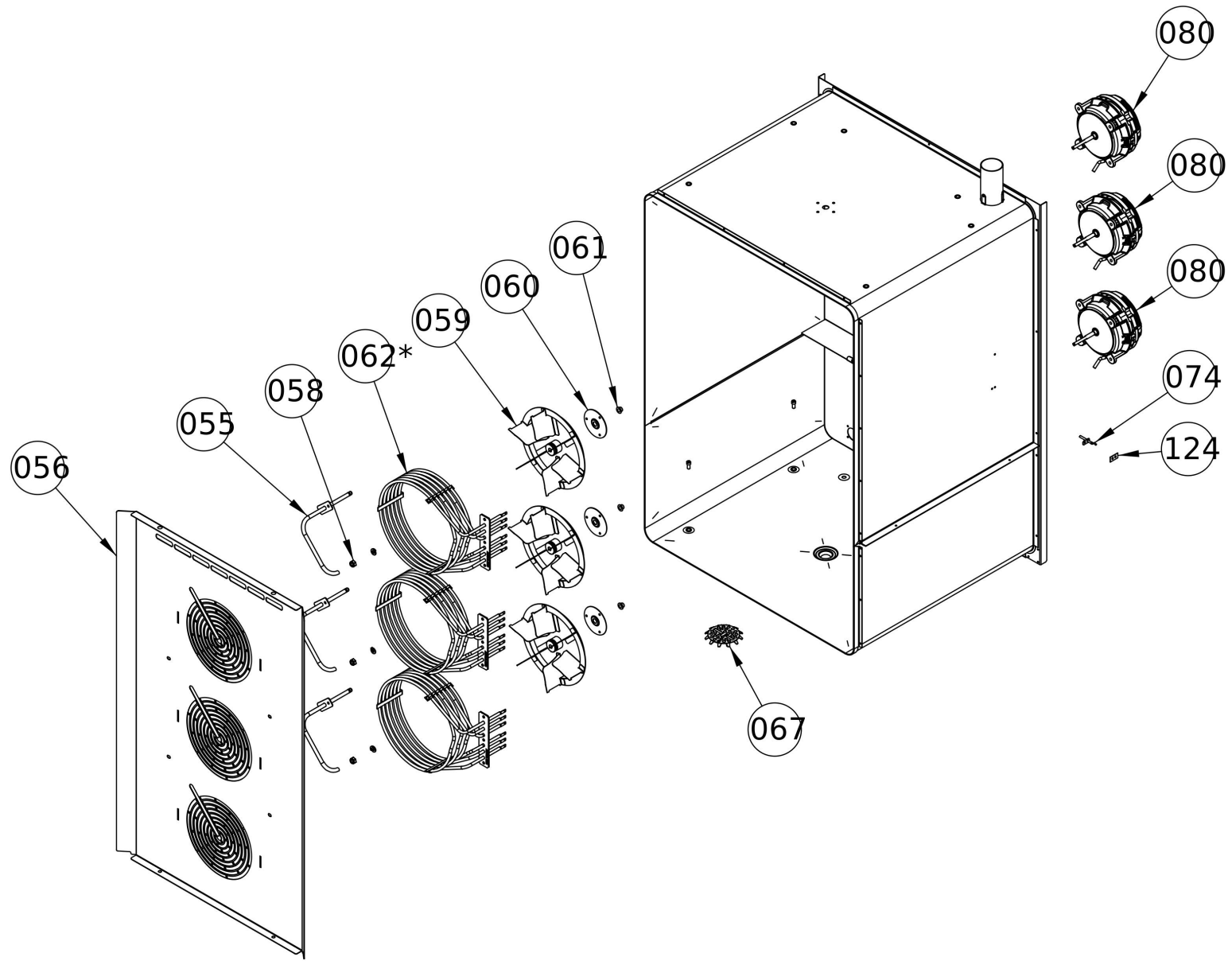
#	Code	Description	Specification	UM	Qty
046	85VAS00001	CONDENSATE TRAY		pz	1
065	040GUA00014	OVEN GASKET		pz	1
069	60NASAI001	HANDLE STUD L70MM		pz	1
070	60PERAI003	HANDLE PIVOT RCB-RCG		pz	1
083	020TER0007	SAFETY THERMAL SWITCH		pz	1
091	50PIEAI002	OVEN FEET H50		pz	4
098	020MOR0001	TERMINAL BLOCK BRIDGE		pz	1
107	*	RIGHT TRAY SUPPORT		pz	1
120	10PIAA20NAA010	DOOR SPACER RING		pz	1
121	10PIAA10SAA013	DOOR LOCK PLATE		pz	1
124	50GUA00003	V-DRY SISTEM RUB PLATE		pz	1
162	85CER00008	BOTTOM HINGE		pz	1
207	020MOT0009	AXIAL MOTOR		pz	2
208	60MEC00007	V-DRY GASKET PLATE		pz	1
419	40CER00001	TOP HINGE		pz	1
420	40CER00002	TOP HINGE COVER		pz	1
436	40DIS00011	CONDENSATE TRAY OVEN SIDE SUPPORT		pz	3
571	20ELE00020	SOLENOID		pz	1

Oven body



DASHBOARD PANEL

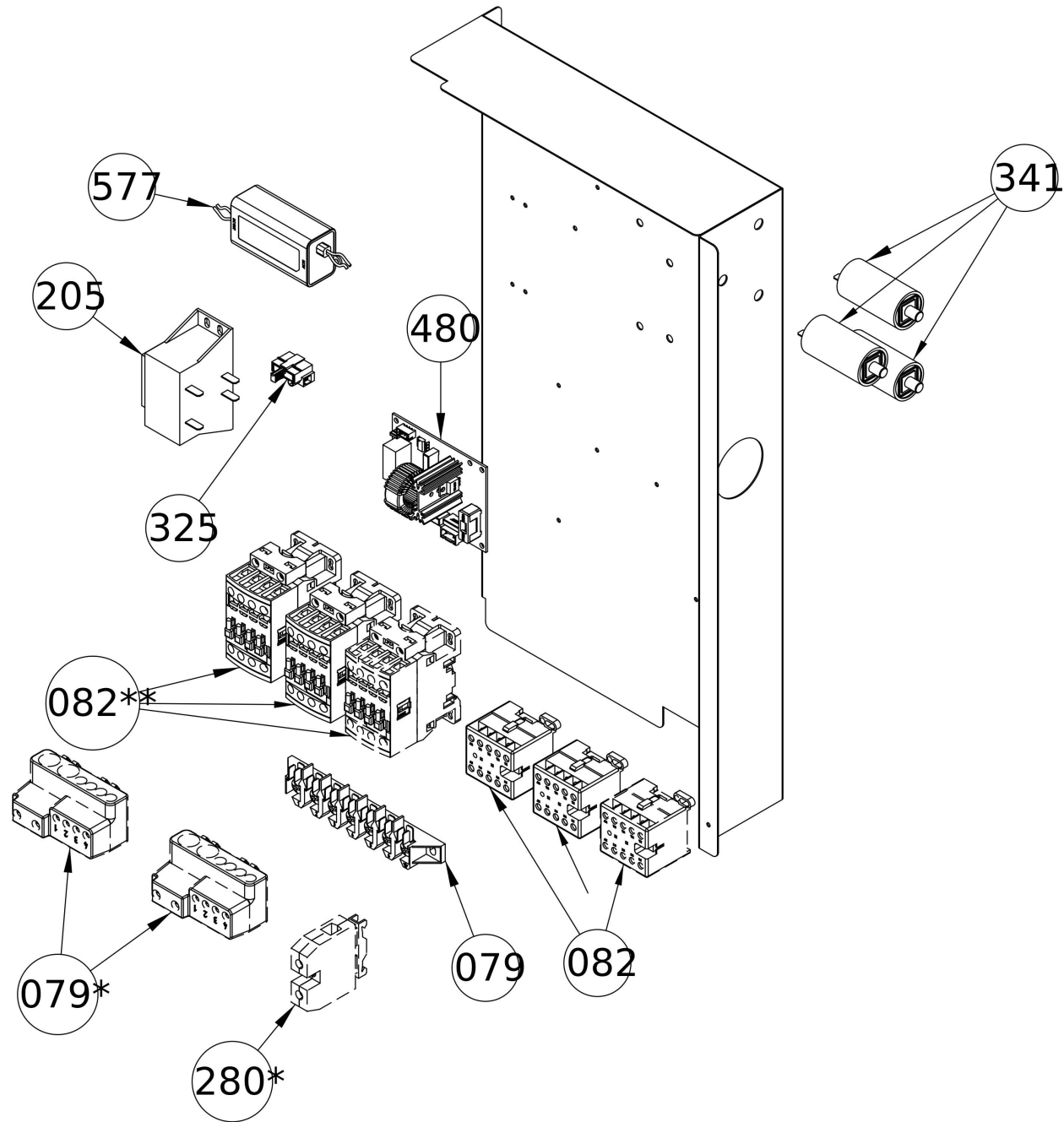
#	Code	Description	Specification	UM	Qty
001	***	MOTOR		pz	1
012	020CNT0001	PANEL PLUG SOCKET 6 POLES FLANGED		pz	1
014	040TAP00012	TAP+CHAIN FOR PLUG SOCKET		pz	1
016	20SCH00072	DIGITAL BOARD DISPLAY 2.4"		pz	1
201	020CNT0020	USB PLUG COMPLETE		pz	1



Cooking chamber

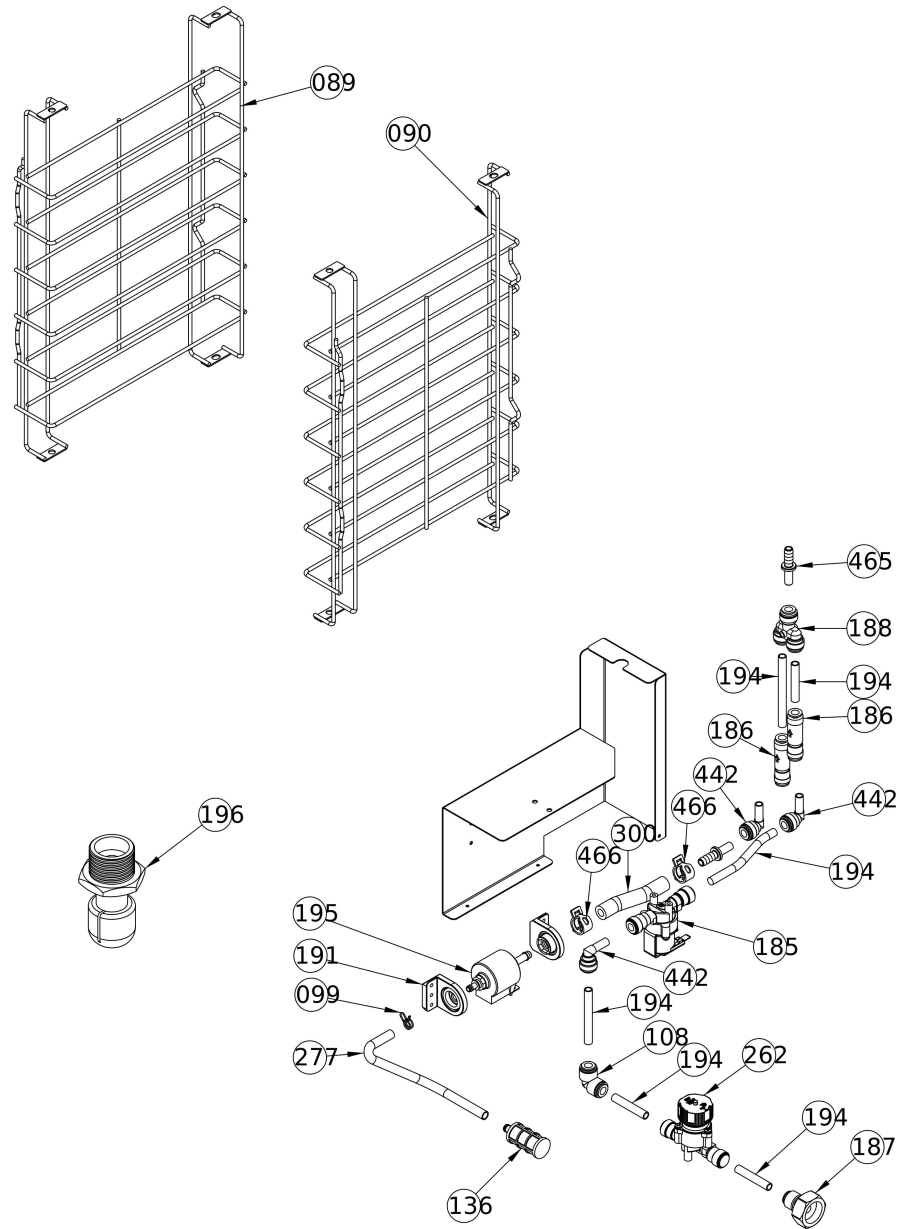
#	Code	Description	Specification	UM	Qty
055	85TBA00017	HUMIDIFICATION PIPE		pz	3
056	10DEF00008	SQ04-SQ05 AIR DEFLECTOR		pz	1
058	70DAD00019	NUT PN M8 SS		pz	3
059	60VENAI013	FAN 200X61 AIRTEK 2.0		pz	3
060	10PIAA10LAA009	PLATE FOR MOTOR		pz	3
061	040BOC00006	CRANKSHAFT BUSH		pz	3
062*	20RES00041	HEATER 5KW 230V 6 COILS		pz	3
062*	20RES00042	HEATING ELEMENT 6.5KW 230V 6 COILS		pz	3
067	10PIA00339	WATER DRAIN COVER		pz	1
074	020SON0001	TEMPERATURE PROBE		pz	1
080	020MOT0028	SINGLE SPEED MOTOR		pz	3
124	040GUA00007	CHAMBER PROBE FLANGE GASKET		pz	1

Cooking chamber



Components panel

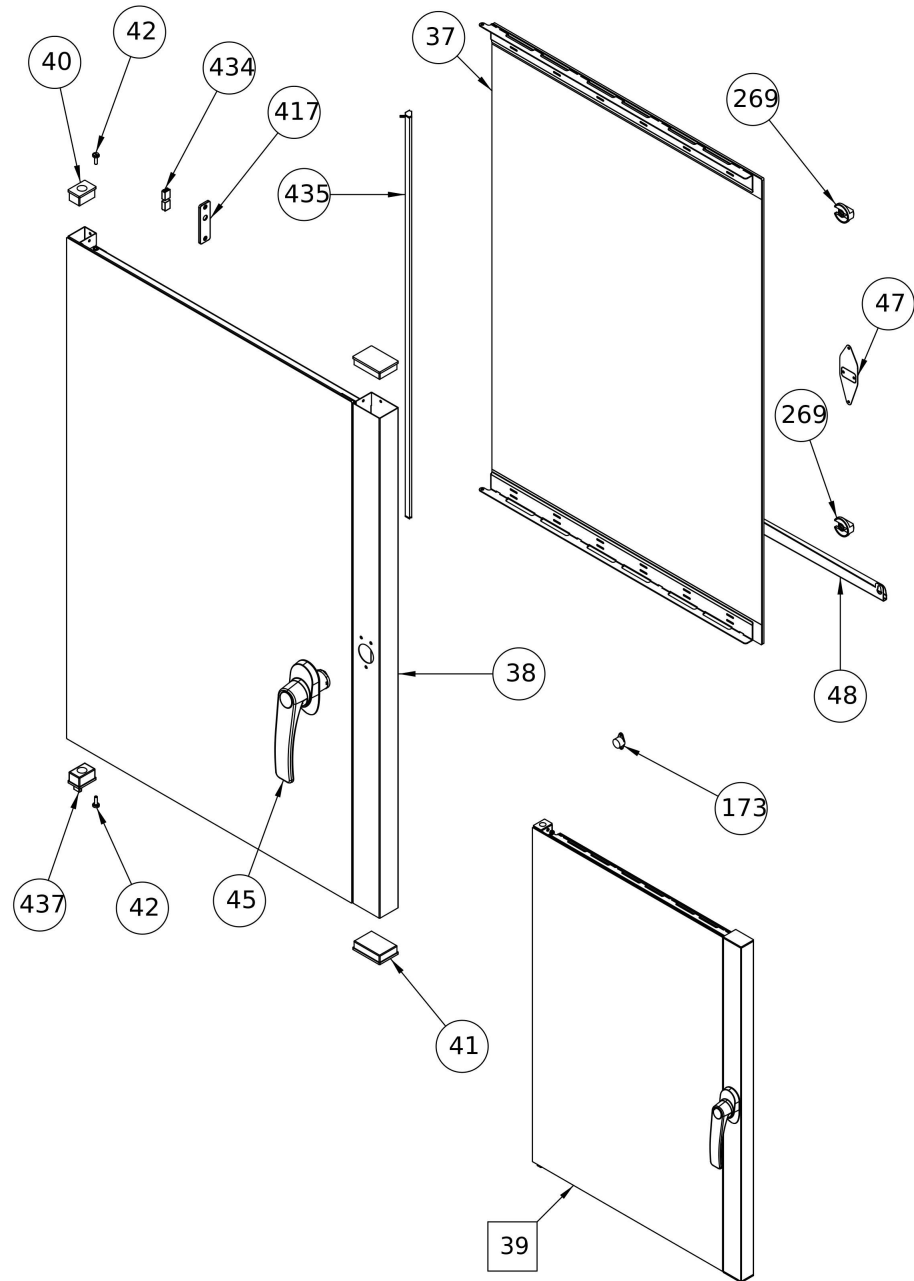
#	Code	Description	Specification	UM	Qty
016	20SCH00076	PHASE CUT RSFAN700		pz	1
079	020MOR0002	TERMINAL BLOCK 7(X3) POLES 40A		pz	1
079*	020MOR00017	TERMINAL BLOCK 6 POLES 170A		pz	1
082	020TEL0004	BRAKER		pz	2
082**	020TEL0003	BRAKER 4POLES 230V 25A (6500W HEATERS)		pz	2
205	020TRS0001	TRANSFORMER		pz	1
280*	020MOR00016	EARTH TERMINAL BLOCKS 12000V 125A		pz	1
325	20PUL00012	FUSE RACK		pz	1
341	***	MOTOR		pz	2
577	20ALM00004	POWER SUPPLIER 16,8W		pz	1



Internal accessories

#	Code	Description	Specification	UM	Qty
089	*	RIGHT TRAY SUPPORT		pz	1
090	*	RIGHT TRAY SUPPORT		pz	1
099	040FSC005	BAND SPRING DN 10,1		pz	1
108	040RAC00001	PLASTIC JUNCTION		pz	1
136	40FIL00004	DETERGENT FILTER		pz	1
185	020ELE0004	SELF CLEAN SOLENOID VALVE		pz	1
186	040RAC00005	CHECK VALVE IN/OUT JG 8MM 5/16SCV		pz	2
187	040RAC00006	JG8-3/4G JOINT		pz	1
188	040RAC00003	Y JOINT 5/16		pz	1
191	50PAR00020	DETERGENT PUMP SILENT BLOCK		pz	2
194	30TUBP80007	PLASTIC PIPE 8X6		cm	2
195	20PMP00006	DETERGENT PUMP		pz	1
196	61UGE00002	WASHING ROTOR TR02Y02-441/330		pz	1
262	040FIL002	WATER FILTER		pz	1
277	30TUBPVC003	PLASTIC WATER PIPE PVC 6X9		cm	2
300	30TBG00004	HT DETERGENTE PIPE 8X15 BLUE		pz	1
442	40RAC00029	90° JOINT W/STRAIGHT PIPE 5/16MM		pz	3
465	40RAC00034	PIPE HOSE 8-8		pz	2
466	40FSC00010	STEEL SPRING TIE DIA 15		pz	2

Internal accessories



Door

#	Code	Description	Specification	UM	Qty
37	85AVI00002	INTERNAL GLASS ASSY		pz	1
38	TBC-85AVE00001*	EXTERNAL GLASS	To order share s/n	pz	1
39	TBC-85PTA00060*	DOOR SQ10-12	To order share s/n	pz	1
40	040TAP00001	BLACK CAP		pz	1
41	040TAP00002	BLACK CAP		pz	2
42	70VIT029	M5 SCREW FOR BOND ROTATION		pz	2
45	60MAGTR003	MANIG. 6302-020072VX VENIX SX		pz	1
47	10PIAA10SAA012	HANDLE PLATE		pz	1
48	10VAS006	WATER S.STEEL CONTAINER		pz	1
173	60MGNSN002	DOOR SENSOR MAGNET		pz	1
269	040MAN00010	INTERNAL GLASS BLOCKING KNOB		pz	2
417	40DIS00014	MAGNETIC SENSOR PLATE RAL7016		pz	1
434	20MOR00010	MAIN TERMINAL BLOCK KLEMSAN		pz	2
435	020LED0002	LAM LED PT 6T CR530OP4 L=565MM		pz	1
437	040TAP00025	PLASTIC COVER OVEN DOOR		pz	1