

Apach

COOK *line*

Catalogo parti di ricambio valido
dalla matricola 0000001 (31.10.2006) ad oggi (02.02.2023)

Catalogue pieces detachees
valable à partir du numero de Série n. 0000001 (31.10.2006) jusqu'à aujourd'hui
(02.02.2023)

Ersatzteilkatalog
gültig ab Serien-Nr. 0000001 (31.10.2006) bis heute (02.02.2023)

Spare parts catalogue
valid from serial no. 0000001 (31.10.2006) up today (02.02.2023)

Catálogo de peças de reposição
válido do número de série 0000001 (31.10.2006) até hoje (02.02.2023)

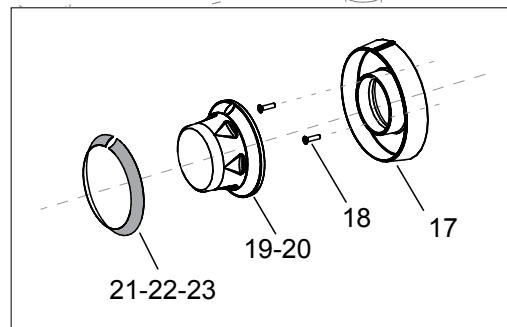
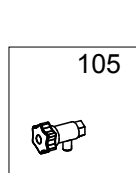
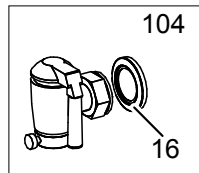
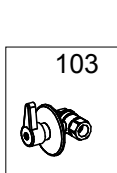
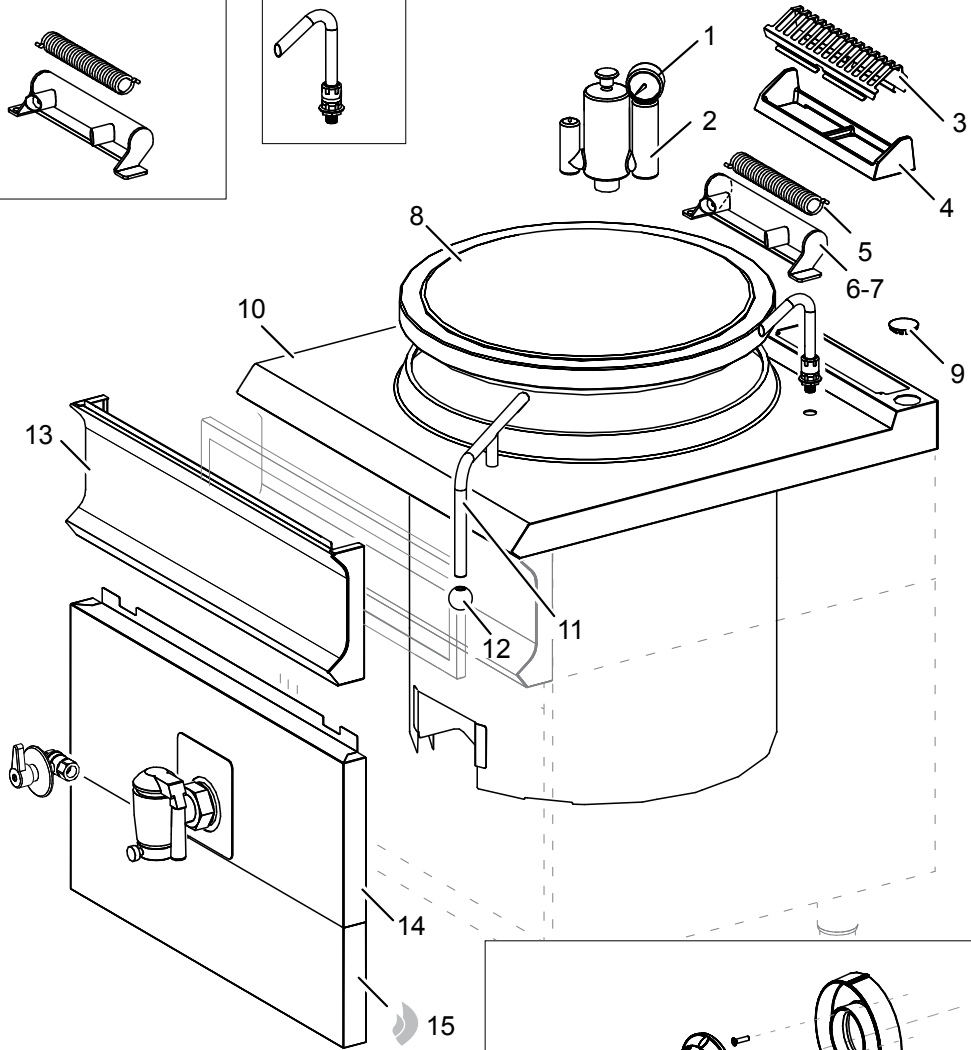
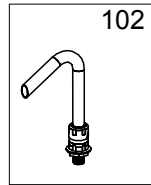
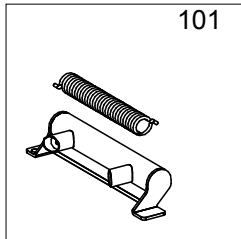
Le informazioni sono considerate non vincolanti. Le immagini rappresentate sono puramente indicative. Il produttore si riserva il diritto di apportare modifiche in qualsiasi momento senza preavviso.

Les informations données ne sont pas contraignantes. Les images montrées sont à titre indicatif. Le producteur se réserve le droit d'apporter des modifications sans préavis.

Die im vorliegenden Dokument aufgeführten Informationen und Bilder sind unverbindlich. Der Hersteller behält sich das Recht vor, jederzeit ohne vorherige Ankündigung Änderungen vorzunehmen

Info and drawing could be slightly different from reality and they cannot be considered as compelling. Manufacturer can modify info anytime without forewarning.

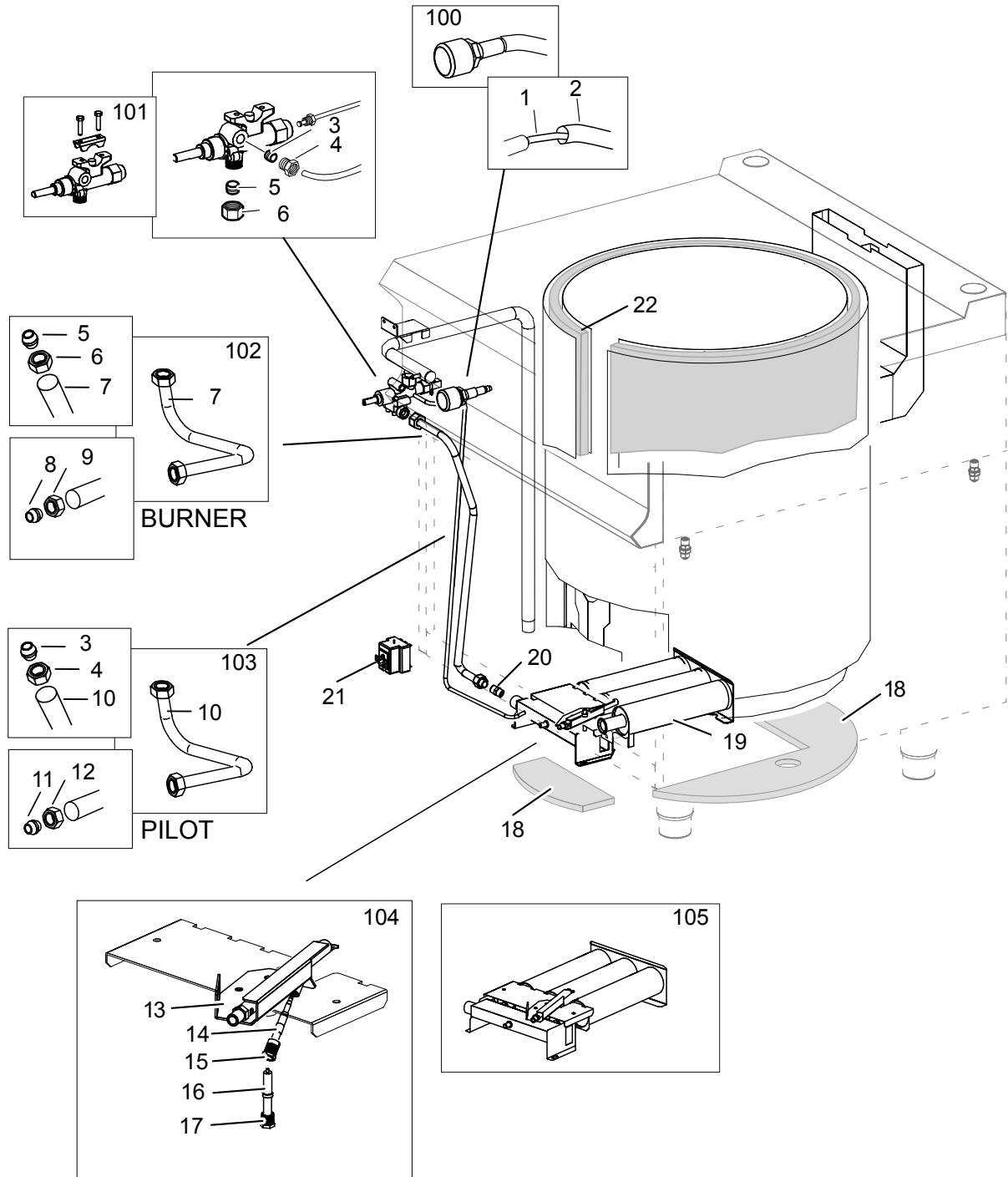
As Informações e desenhoS podem estar um pouco diferente da realidade e são puramente indicativas. O fabricante pode modificar estas informações a qualquer momento sem aviso prévio.



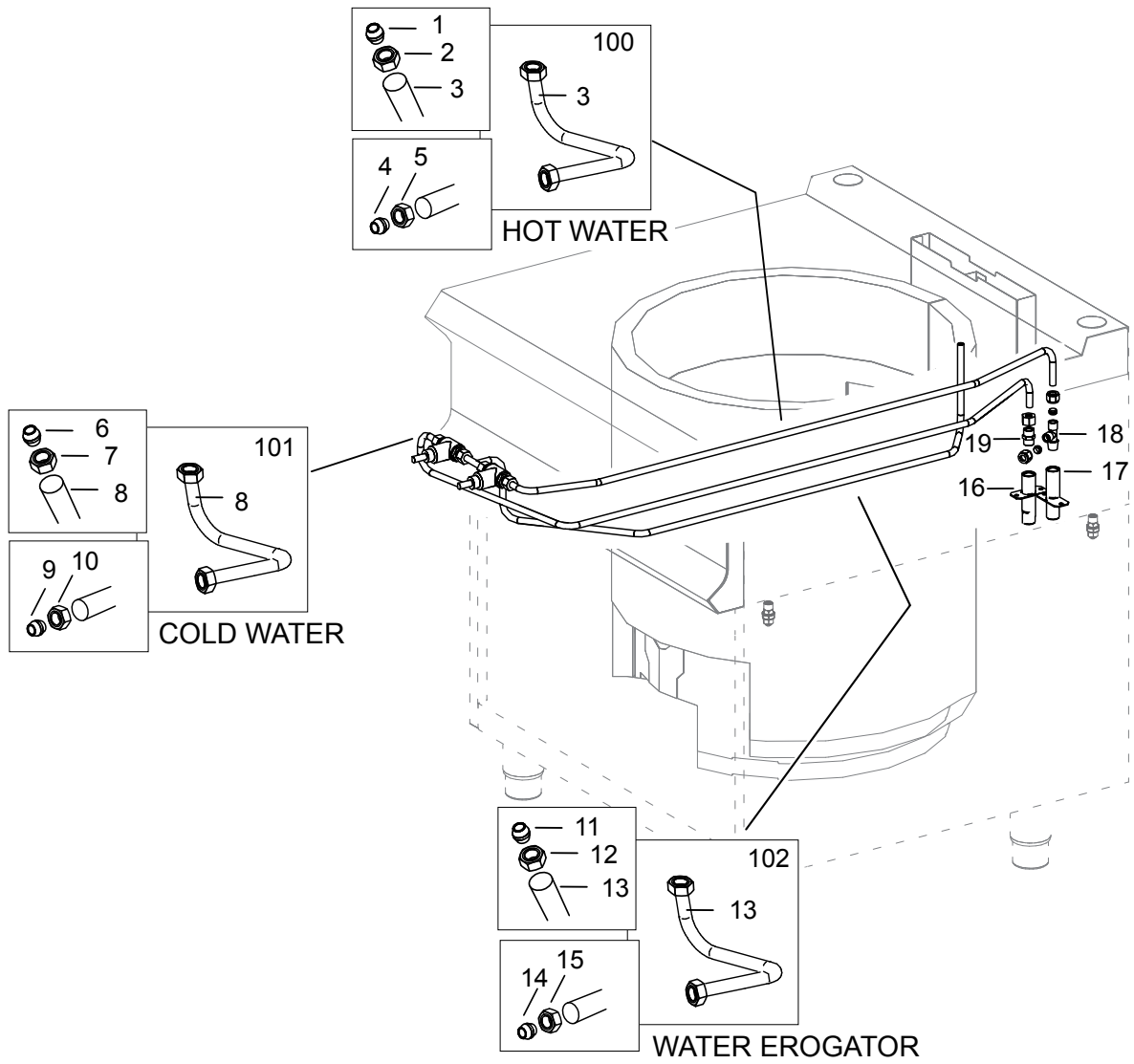
| Nr. | Code | Title | Recommended |
|------------|-------------|-----------------------------|--------------------|
| 3. | 202046 | CHIMNEY GRILL | |
| 5. | RTCP800026 | HINGE SPRING | ✓ |
| 6. | 182802 | RIGHT HINGE TERMINAL | |
| 7. | 182792 | LEFT HINGE TERMINAL | |
| 8. | 182795 | COVER G1008 | |
| 10. | 203567 | TRIVET AXIS | |
| 11. | 170321 | COVER HANDLE G100IT9N | |
| 12. | 172109 | COVER KNOB | |
| 13. | 203660 | CONTROL PANEL | |
| 14. | 203060 | FRONT PANEL | |
| 15. | 203010 | LOWER EXTERNAL FACADE | |
| 16. | RTCP900018 | CAP TAP | |
| 19. | 202202 | WATER KNOB | |
| 21. | 200160 | KNOB RING | |
| 22. | 200347 | COLD WATER RING | |
| 23. | 200478 | HOT WATER RING | |
| 100. | ECS9022 | RECOMMENDED PARTS FOR PEG98 | |
| 101. | RIC0005118 | COMPLETE HINGE | |
| 102. | RIC0005119 | WATER SPOUT | |
| 104. | RIC0005120 | DRAIN KIT | |



| Nr. | Code | Title | Recommended |
|------------|-------------|-------------------|--------------------|
| 6. | 200470 | <i>HIGH REAR</i> | |
| 7. | 201245 | <i>REAR LOWER</i> | |
| 8. | 201556 | <i>RIGHT SIDE</i> | |
| 9. | 201557 | <i>LEFT SIDE</i> | |
| 13. | RTCU700277 | <i>FOOT</i> | |



| Nr. | Code | Title | Recommended |
|------------|-------------|---------------------------------|--------------------|
| 1. | RTBF800308 | IGNITION CABLE CM 150 | ✓ |
| 2. | 168890 | TRASPARENT SILICON PIPE | |
| 3. | RTCU900018 | BICONE D.6 MM.6 | ✓ |
| 4. | RTCU900019 | NUT D.6 HEIGHT 10,5 MM. | ✓ |
| 5. | RTCU900014 | BICONE D.12 | |
| 6. | RTCU900015 | NUT D.12 | |
| 7. | 203061 | FEEDING PIPE FOR BURNER | |
| 8. | RTCU800195 | BICONE D.12- INJECTOR SUPPORT | |
| 9. | RTCU800181 | NUT D.12 | |
| 10. | 182486 | BURNER PILOT PIPE | |
| 11. | RTCU900018 | BICONE D.6 MM.6 | ✓ |
| 12. | RTCU900019 | NUT D.6 HEIGHT 10,5 MM. | ✓ |
| 13. | 175088 | PILOT BURNER | ✓ |
| 14. | RTCU700148 | THERMOCOUPLE | ✓ |
| 15. | RTCP800038 | T/COUPLE CONNECTION GC47 | ✓ |
| 16. | 178973 | ROUND SPARK PLUG | ✓ |
| 17. | RTCU900215 | SPARK NUT | ✓ |
| 18. | 166254 | CHIMNEY INSULATION PANEL | |
| 19. | RTCU800335 | BURNER | |
| 20. | RTCU900442 | NIPPLE 1/2"- 3/8" | |
| 22. | 165783 | INSULATING PANEL | |
| 100. | RIC0004096 | PIEZO IGNITION + LIGHTING CABLE | ✓ |
| 101. | RIC0004862 | GAS THERMOSTAT | ✓ |
| 102. | RIC0005183 | BURNER TUBE KIT | |
| 103. | RIC0005178 | PILOT KIT | |
| 104. | RIC0005121 | PILOT KIT | |
| 105. | RIC0004808 | BURNER COMPLETE | |



| Nr. | Code | Title | Recommended |
|------------|-------------|---|--------------------|
| 1. | RTCU900012 | <i>BICONE D.10</i> | ✓ |
| 2. | RTCU900013 | <i>NUT D.10 HEIGHT H. 14 MM</i> | ✓ |
| 3. | 179969 | <i>COLD WATER TAP SUPPLY HOSE</i> | |
| 4. | RTCU900012 | <i>BICONE D.10</i> | ✓ |
| 5. | RTCU900013 | <i>NUT D.10 HEIGHT H. 14 MM</i> | ✓ |
| 6. | RTCU900012 | <i>BICONE D.10</i> | ✓ |
| 7. | RTCU900013 | <i>NUT D.10 HEIGHT H. 14 MM</i> | ✓ |
| 8. | 179971 | <i>HOT WATER TAP SUPPLY HOSE</i> | |
| 9. | RTCU900012 | <i>BICONE D.10</i> | ✓ |
| 10. | RTCU900013 | <i>NUT D.10 HEIGHT H. 14 MM</i> | ✓ |
| 11. | RTCU900012 | <i>BICONE D.10</i> | ✓ |
| 12. | RTCU900013 | <i>NUT D.10 HEIGHT H. 14 MM</i> | ✓ |
| 13. | 182891 | <i>ALIMENTATION PIPE FOR WATER EROGATOR</i> | |
| 14. | RTCU900012 | <i>BICONE D.10</i> | ✓ |
| 15. | RTCU900013 | <i>NUT D.10 HEIGHT H. 14 MM</i> | ✓ |
| 16. | 180544 | <i>STAINLESS STEEL WATER CONNECTION</i> | |
| 17. | 180550 | <i>WATER CONNECTION</i> | |
| 18. | RTCU900103 | <i>NIPPLE 3/8"</i> | ✓ |
| 100. | RIC0005169 | <i>FEED TUBE KIT COLD WATER TAP</i> | |
| 101. | RIC0005168 | <i>HOT WATER TAP FEEDING TUBE KIT</i> | |
| 102. | RIC0005172 | <i>FEED TUBE KIT DISPENSER</i> | |