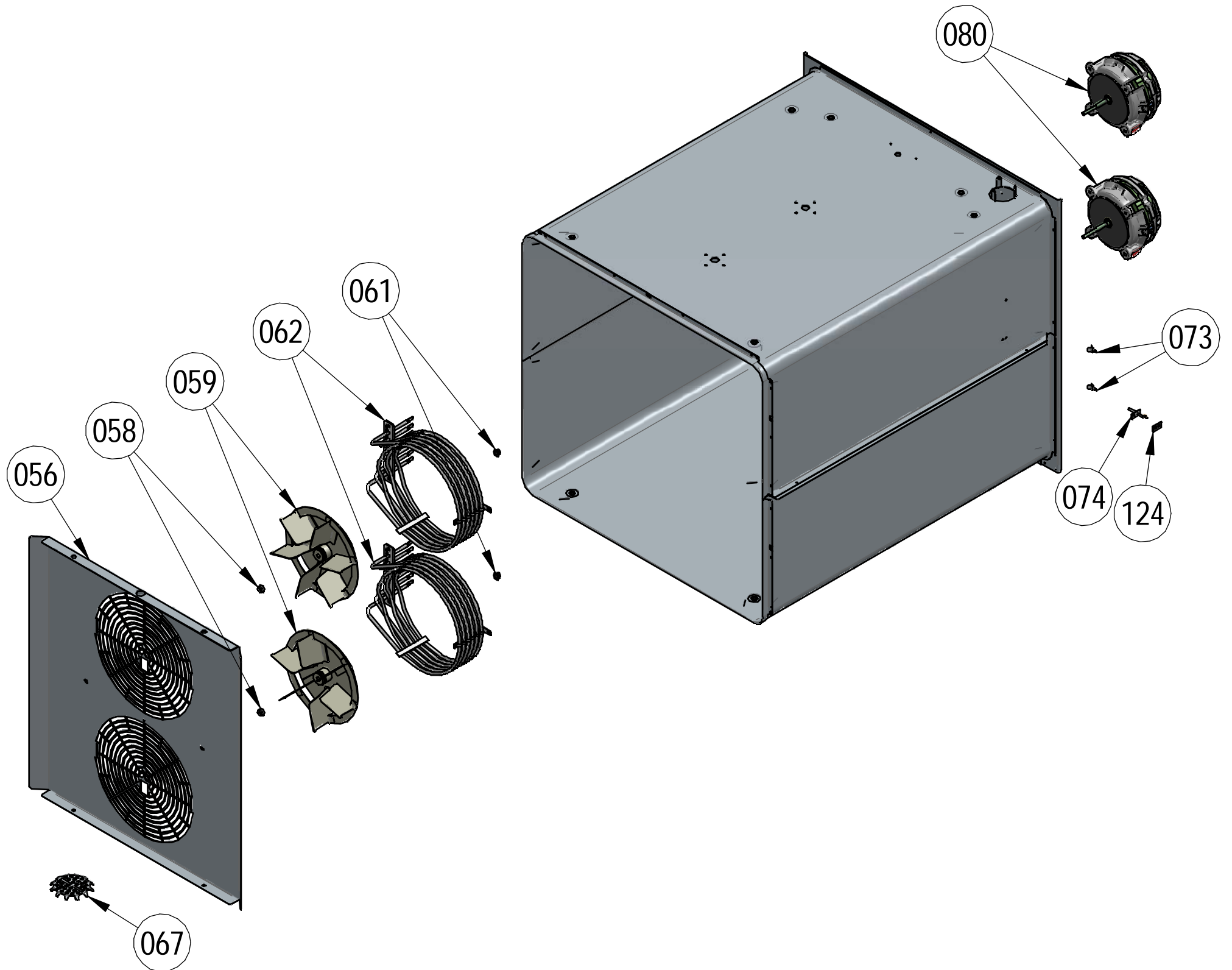


# CHAMBER ASSEMBLY

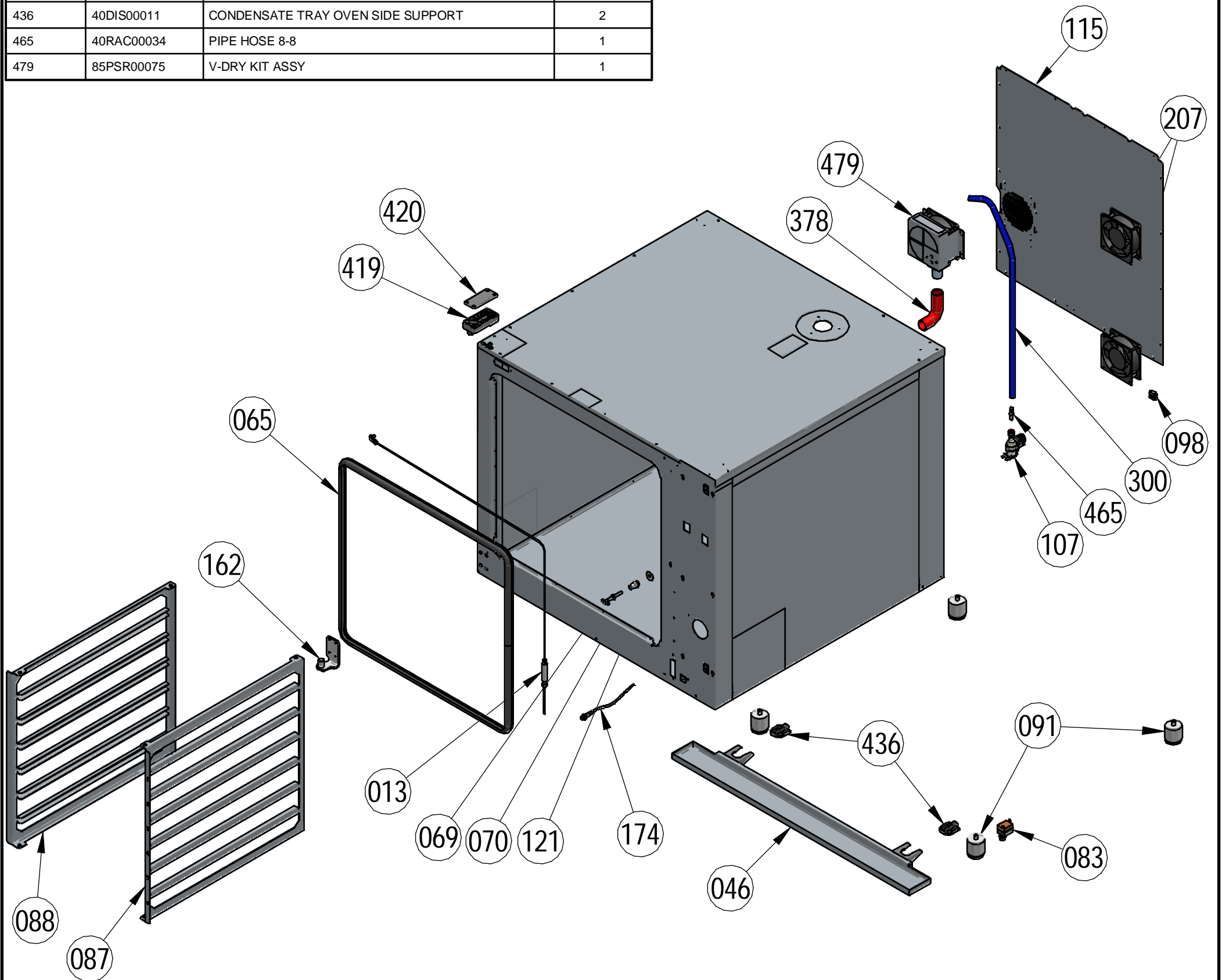
SPARE PART No	CODE	DESCRIPTION	Q.TY	NOTE
056	10DEF00124	DEFLECTOR SQ0621	1	
058	70DAD00019	NUT M 8 PREVAILING TORQUE NUT SS	2	
059	60VENAI013	FAN 200X61 AIRTEK 2.0	2	
061	040BOC00006	CRANKSHAFT BUSH	2	
062	20RES00042	HEATING ELEMENT 6.5KW 230V 6 COILS	2	
067	10PIA00339	WATER DRAIN COVER	1	
073	60MOLAI002	TERMHOSTAT BULB SPRING CLIP	2	mechanical version
074	020SON0001	TEMPERATURE PROBE	1	touch/digital version
080	020MOT0028	SINGLE SPEED MOTOR	2	
124	040GUA00007	CHAMBER PROBE FLANGE GASKET	1	touch/digital version

**Apach**  
COOK *Line*



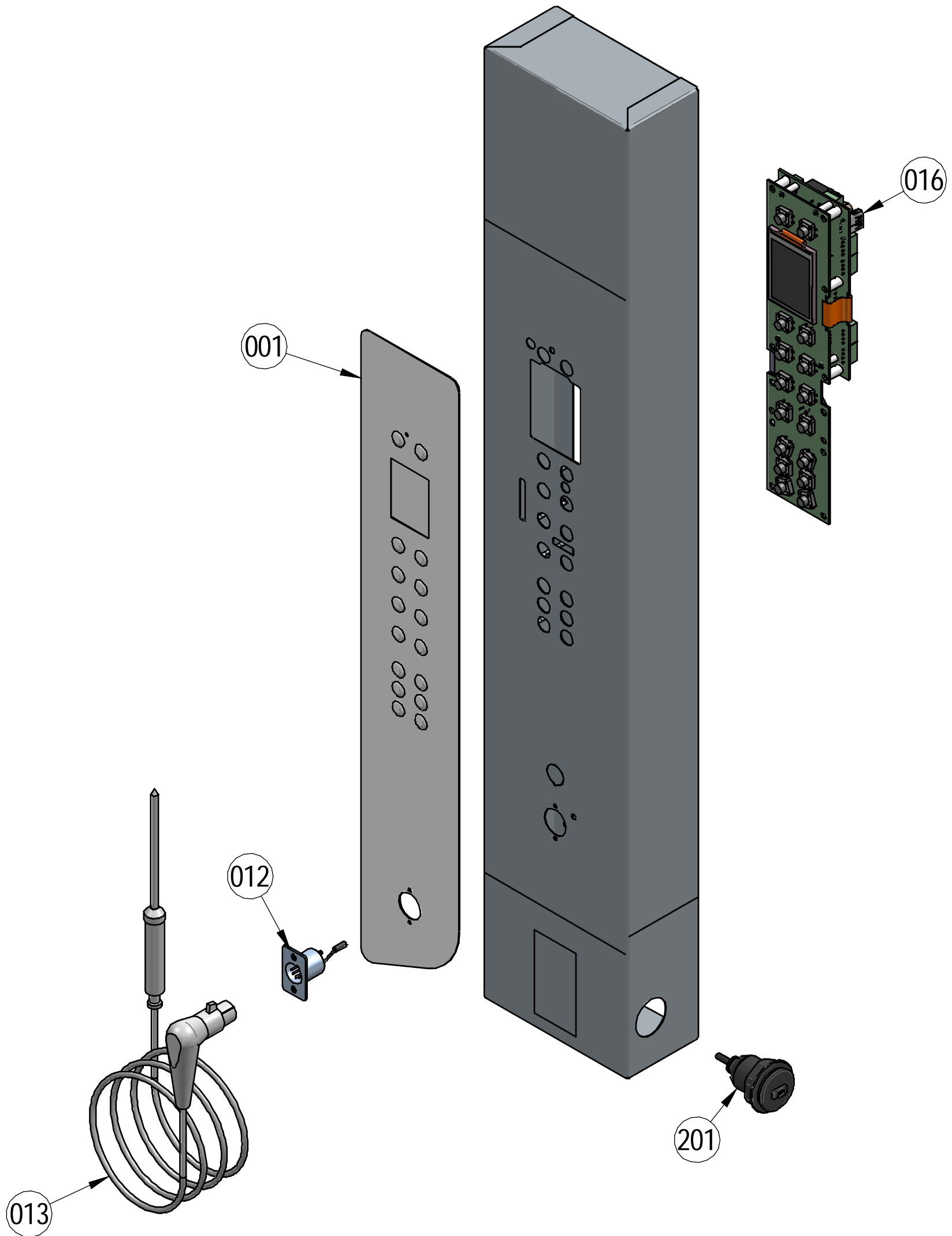
# TOUCH/DIGITAL OVEN BODY

SPARE PART No	CODE	DESCRIPTION	Q.TY
013	020SON0006	CORE PROBE	1
046	85VAS00057	ELE.SQ SOLDERED CONDENSER TRAY ASSY	1
065	040GUA00014	DOOR GASKET	2,5m (98",43)
069	60NASAI001	HANDLE STUD L70MM	1
070	60PERAI003	HANDLE PIVOT RCB-RCG	1
083	020TER0007	SAFETY THERMAL SWITCH 1 POLE	1
087	10GRI00299	RIGHT GRID SHEET GA-BIV 6/86	1
088	10GRI00298	LEFT SHEET GRID PA-BIV 6/86	1
091	50PIEAI002	FEET H50 INOX ADJUSTABLE	4
098	020MOR0001	TERMINAL BLOCK BRIDGE 6-16 SQM	1
107	20ELE00019	SOLENOID VALVE 90° + RED FLOW LIMITER	1
115	10FIA00183	BACK SQ0621 TC	1
121	10PIAA10SAA013	DOOR LOCK PLATE	1
162	85CER00008	OVEN DOOR LOWER HINGE SQ-CP	1
174	20SNS00006	DOOR MAGNETIC SENSOR	1
207	020MOT0009	AXIAL MOTOR	2
300	30TBG00004	HT DETERGENTE PIPE 8X15 BLUE (HUMIDIFICATION)	0,60m (23",62)
378	30TUBS32012	RED SILICON FIBER GLASS PIPE Ø32	0,15m (5"91)
419	40CER00001	TOP HINGE SQ RAL7016	1
420	40CER00002	TOP HINGE COVER SQ RAL7016	1
436	40DIS00011	CONDENSATE TRAY OVEN SIDE SUPPORT	2
465	40RAC00034	PIPE HOSE 8-8	1
479	85PSR00075	V-DRY KIT ASSY	1



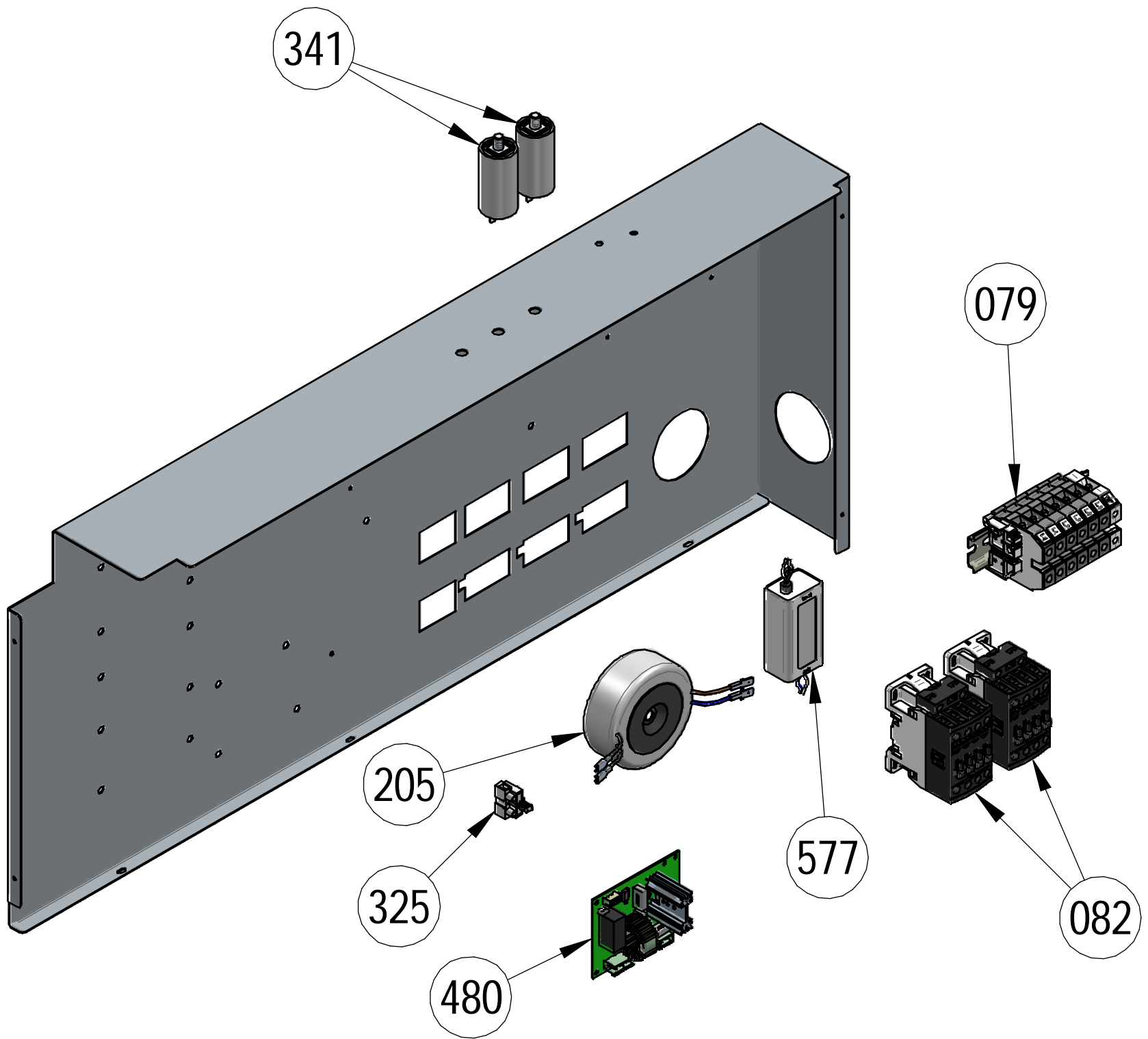
# DIGITAL DASHBOARD

SPARE PART No	CODE	DESCRIPTION	Q.TY	NOTE
001	***	FRONT LABEL DESIGN	1	communicate the serial number
012	020CNT0001	PANEL PLUG SOCKET 6 POLES FLANGED	1	
013	020SON0007	CORE PROBE TCJ + PLUG	1	accessory
016	85SCH00047*	DIGITAL BOARD DISPLAY 2.4" ASSY	1	communicate the serial number
201	020CNT0020	USB PLUG COMPLETE WITH 0.8MT CABLE+NUT	1	

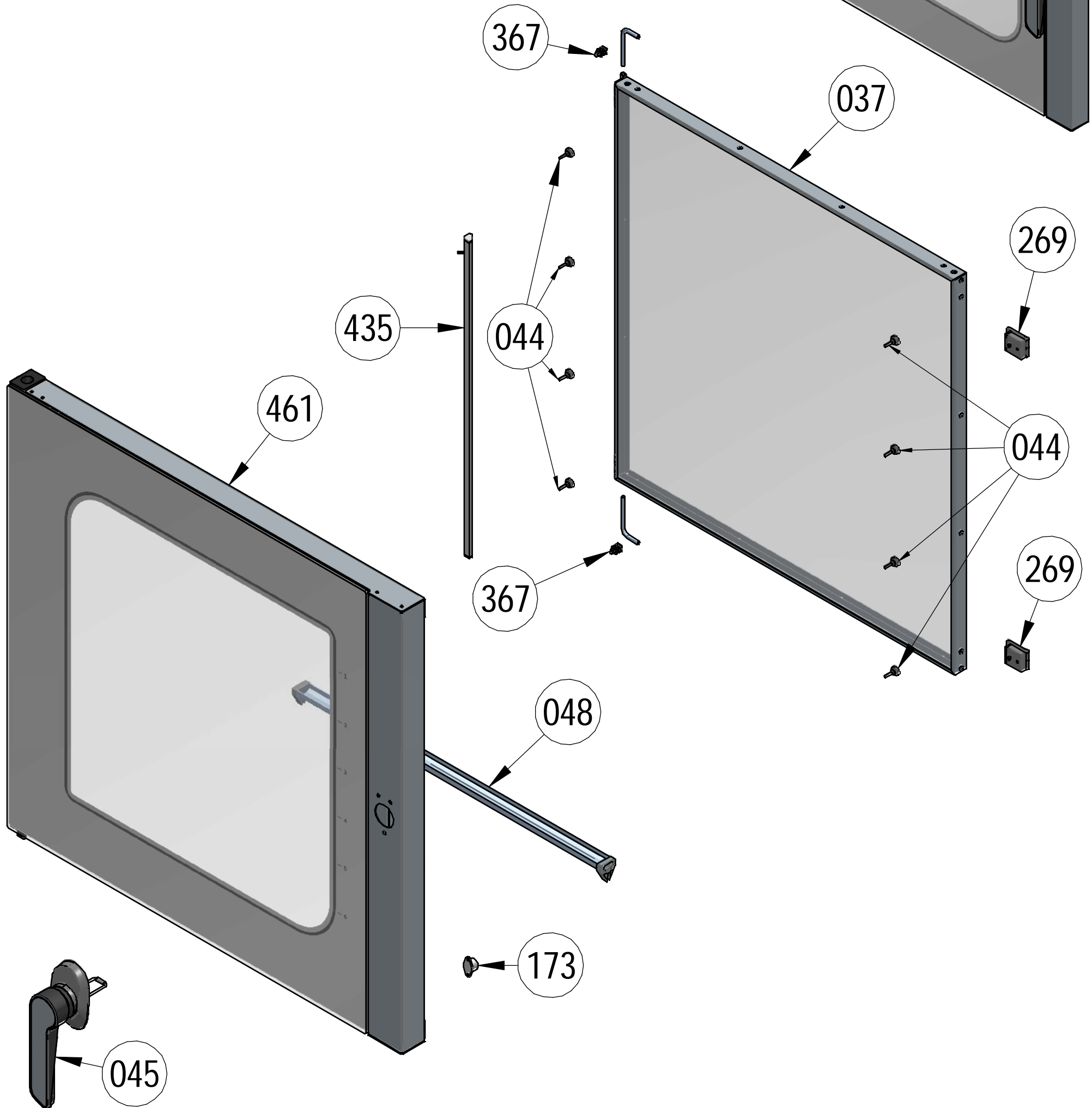
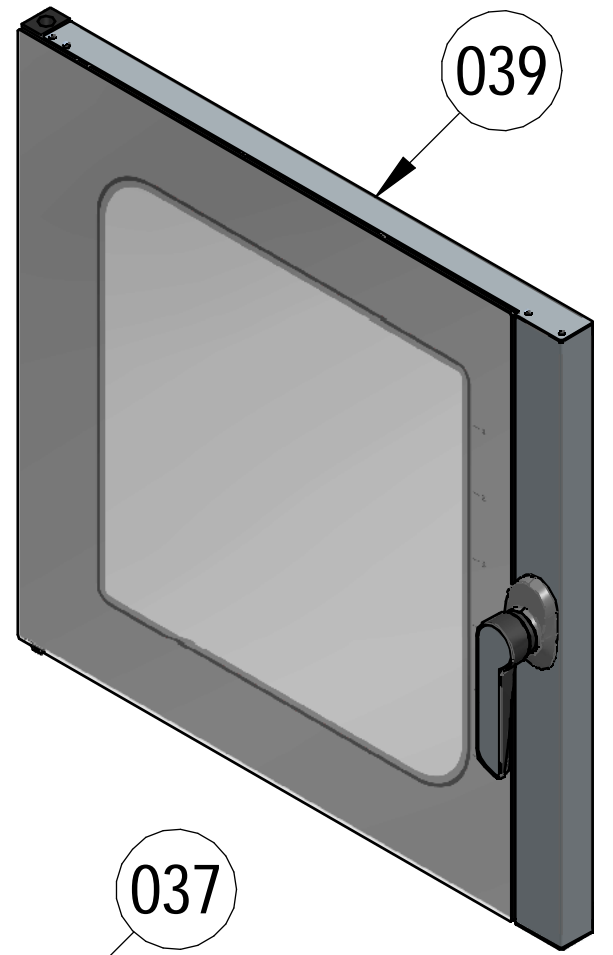


# DIGITAL WIRING BOX

SPARE PART No	CODE	DESCRIPTION	Q.TY
079	020MOR0007	TERMINAL BLOCK KLEMSAN AVK16 Z00236	1
082	020TEL0003	BRAKER 4POLES 230V 25A	2
205	85KIT00088	TRANSFORMER 12V 230V 50/60HZ UL	1
325	20PUL00012 + 20PUL00013	FUSE HOLDER + 1,6A FUSE	1
341	020CND00001	CAPACITOR 6,3 $\mu$ F	2
480	20SCH00088	PHASE CUT RSFAN700	1
577	20ALM00004	POWER SUPPLIER 220-120V 24V 50/60HZ UL	1

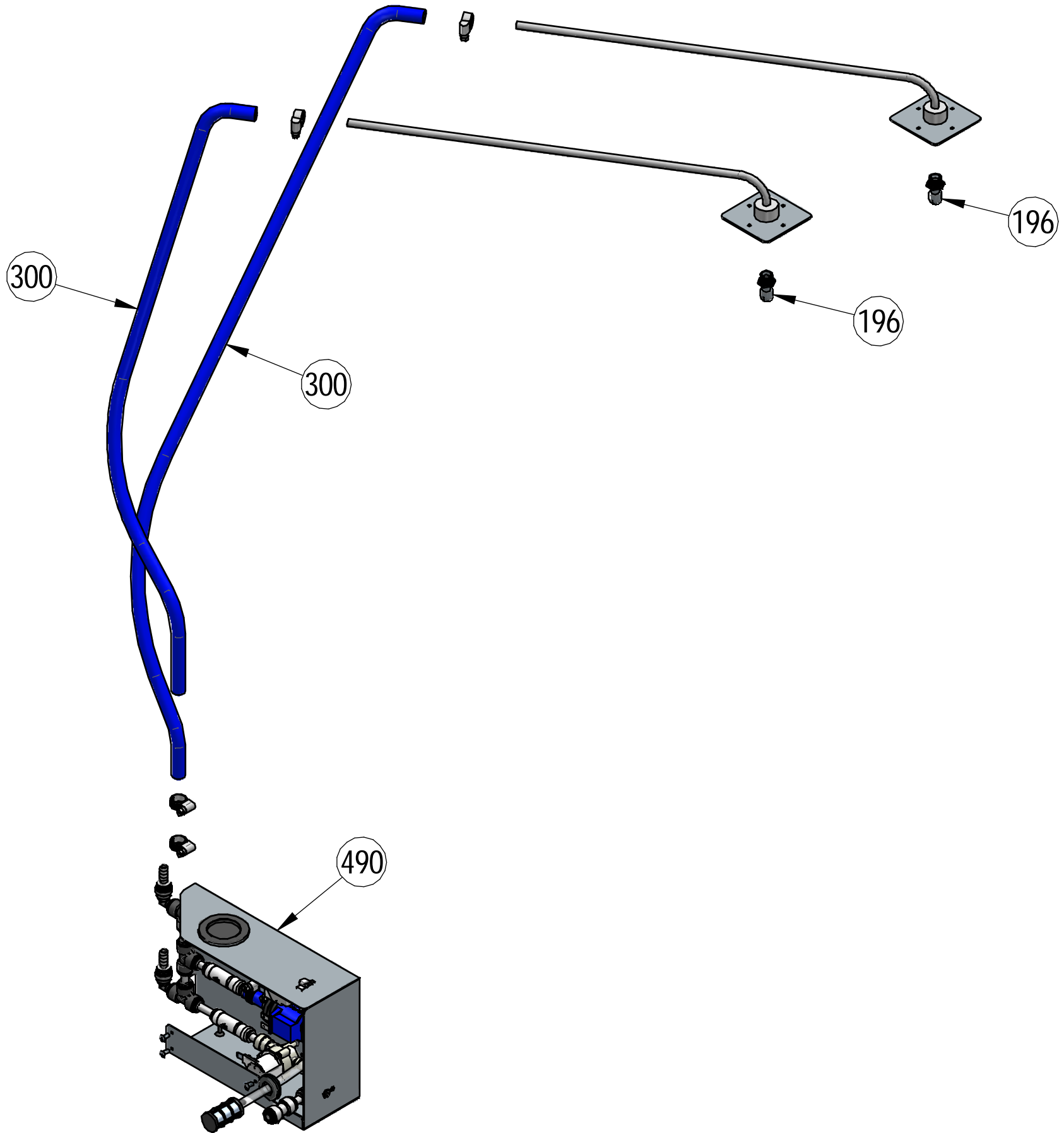


SPARE PART No	CODE	DESCRIPTION	Q.TY	Note
037	85AVI00038	SQ06 INTERNAL GLASS ASSY	1	
039	85PTA00209*	COMPLETE DOOR SQ06	1	communicate the serial number
044	040TAP00015	RUBBER SPACER FOR INTERNAL GLASS	8	
045	***	DOOR HANDLE	1	communicate the serial number
048	85VAS00060	INTERNAL GLASS TRAY SQUERO	1	
170	20PPC00028	PA 6.6 CABLE LEAD Ø8.4	1	
173	60MGNSN002	MAGNET FOR SENSOR	1	
269	85CER00048	INTERNAL GLASS SPRINGS LOCKING SYSTEM	2	
367	50PAR00037	CABLE/PIPE CLAMP Ø 6	2	
435	020LED0002	LED LIGHT PT 4T CR380OP4 L=565mm	1	
461	85AVE00113*	SQ06 EXTERNAL GLASS ASSY	1	communicate the serial number



# WASHING SYSTEM

SPARE PART No	CODE	DESCRIPTION	Q.TY	NOTE
196	61UGE00002	WASHING ROTOR TR02Y02-441/330	2	
300	30TBG00004	HT DETERGENTE PIPE 8X15 BLUE	1,15m (45",28)	tube length for one washing nozzle
490	85LAV00027	WASHING ASSEMBLY WITH TWO IMPELLERS	1	



# WASHING BOX

SPARE PART No	CODE	DESCRIPTION	Q.TY	NOTE
044	040TAP00015	RUBBER SPACER FOR INTERNAL GLASS	2	
099	040FSC005	BAND SPRING DN 10,1	1	
109	040RAC00002	PLASTIC CONNECTOR	1	
136	40FIL00004	DETERGENT FILTER	1	
185	020ELE0004	SELF CLEAN SOLENOID VALVE	2	
186	040RAC00005	CHECK VALVE IN/OUT JG 8mm 5/16SCV	3	
188	040RAC00003	Y JOINT 5/16	1	
191	50PAR00020	DETERGENT PUMP SILENT BLOCK	2	
194	30TUBP80007	PLASTIC PIPE 8X6	1m (39"37)	total length
195	20PMP00006	DETERGENT PUMP	1	
277	30TUBPVC003	PLASTIC WATER PIPE PVC 6X9	2m (78"74)	
285	040RAC00008	T SHAPED JUNCTION	3	
300	30TBG00004	HT DETERGENTE PIPE 8X15 BLUE	0,10m (3"94)	
442	40RAC00029	90° JOINT W/STRAIGHT PIPE 5/16MM	5	
465	40RAC00034	PIPE HOSE 8-8	3	

