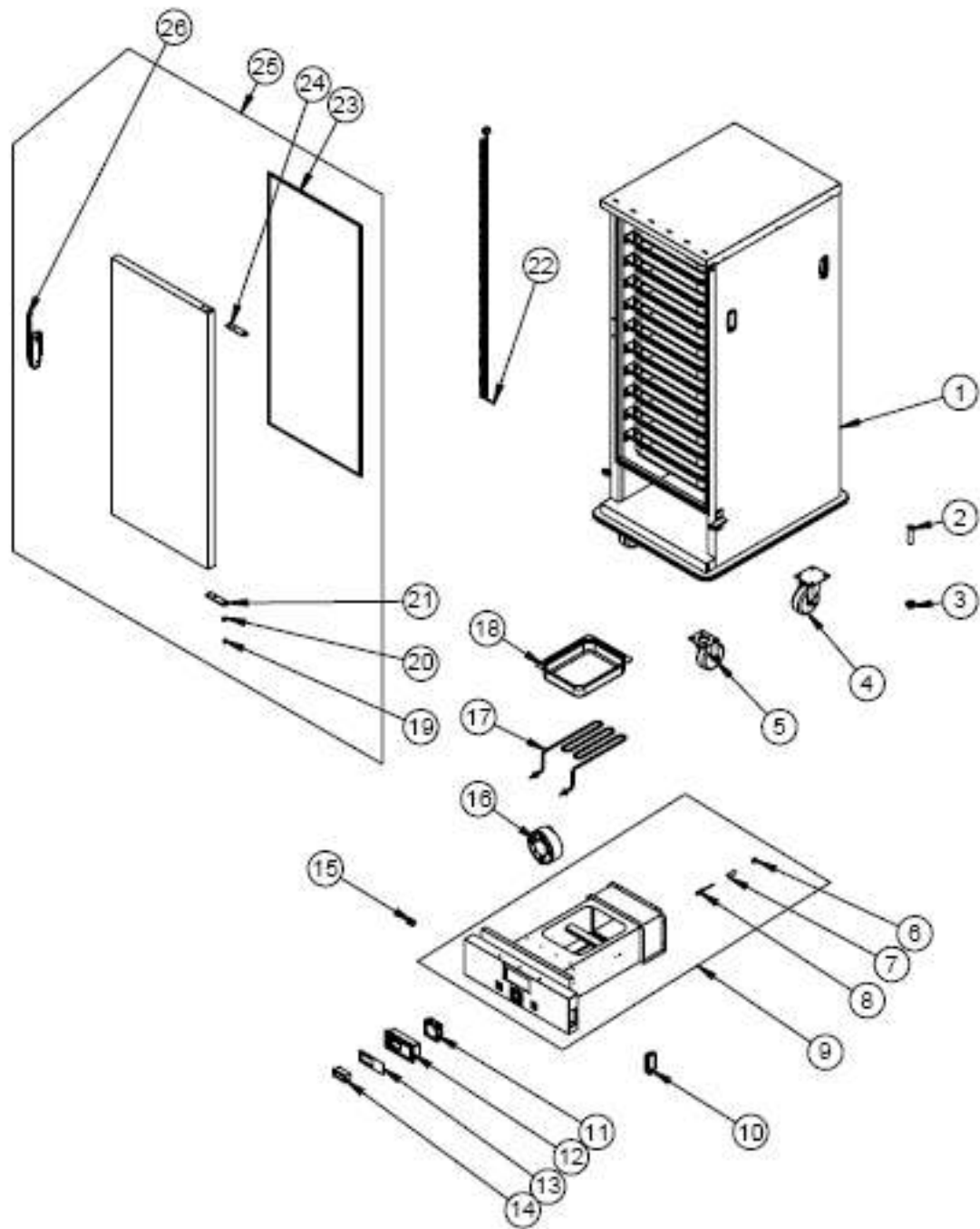


ТЕЛЕЖКА БАНКЕТНАЯ ТЕПЛОВАЯ TATRA ТВТ 1121 Н



ТЕЛЕЖКА БАНКЕТНАЯ ТЕПЛОВАЯ TATRA TBT 1121 H

1	CHASSIS	-	
2	PIPE	M.ENJ-ERK-PLS-002	
3	NUT	M.ENJ-ERK-PLS-024	
4	WHEEL WITHOUT BRAKE	M.AKS-TKR-KS-002	
5	WHEEL WITH BRAKE	M.AKS-TKR-KFS-002	
6	FIXING SCREW	YTL-ERK.BQ-KS-0001	
7	STABILIZER	YTL-ERK.BQ-KS-0002	
8	CENSOR	M.ELK-EDM-DGT-011	
9	DRAWER	ARA-ERK.BQ-0028	
10	DRAWER HANDLE PLASTIC	M.ENJ-ERK-PLS-023	
11	FAN	M.ELK-HVL-KFN-002	
12	DIGITAL PLASTIC	M.ENJ-ERK-PLS-103	
13	TICKET	M.AKS-ETK-LKS-14*6	
14	THERMOSTAT	ERK.M.ELK-EDM-DGT-007	
15	CABLE GLAND	ERK.M.ELK-RKR-PLS-003	
16	FAN	M.ELK-HVL-KFN-005	
17	RESISTANCE	M.ELK-RKR-BRU-ERK-007	
18	1/2 TUB	M.MTS-ERK-007	
19	HINGE PIN	YTL-ERK.BQ-KS-0004	
20	HINGE PIN LOCATION	YTL-ERK.BQ-KS-0003	
21	BOTTOM HINGE SHEET	YSC-ERK.BQ-LZ-0097	
22	RECEIPT	ERK.M.ELK-PWR-PBK-004	
23	GASKET	M.CNT-ERK-010	
24	TOP HINGE SHEET	YSC-ERK.BQ-LZ-0082	
25	RIGHT COVER	ARA-ERK.BQ-0034	
26	MAGNET LOCK	M.AKS-KLT-GNL	