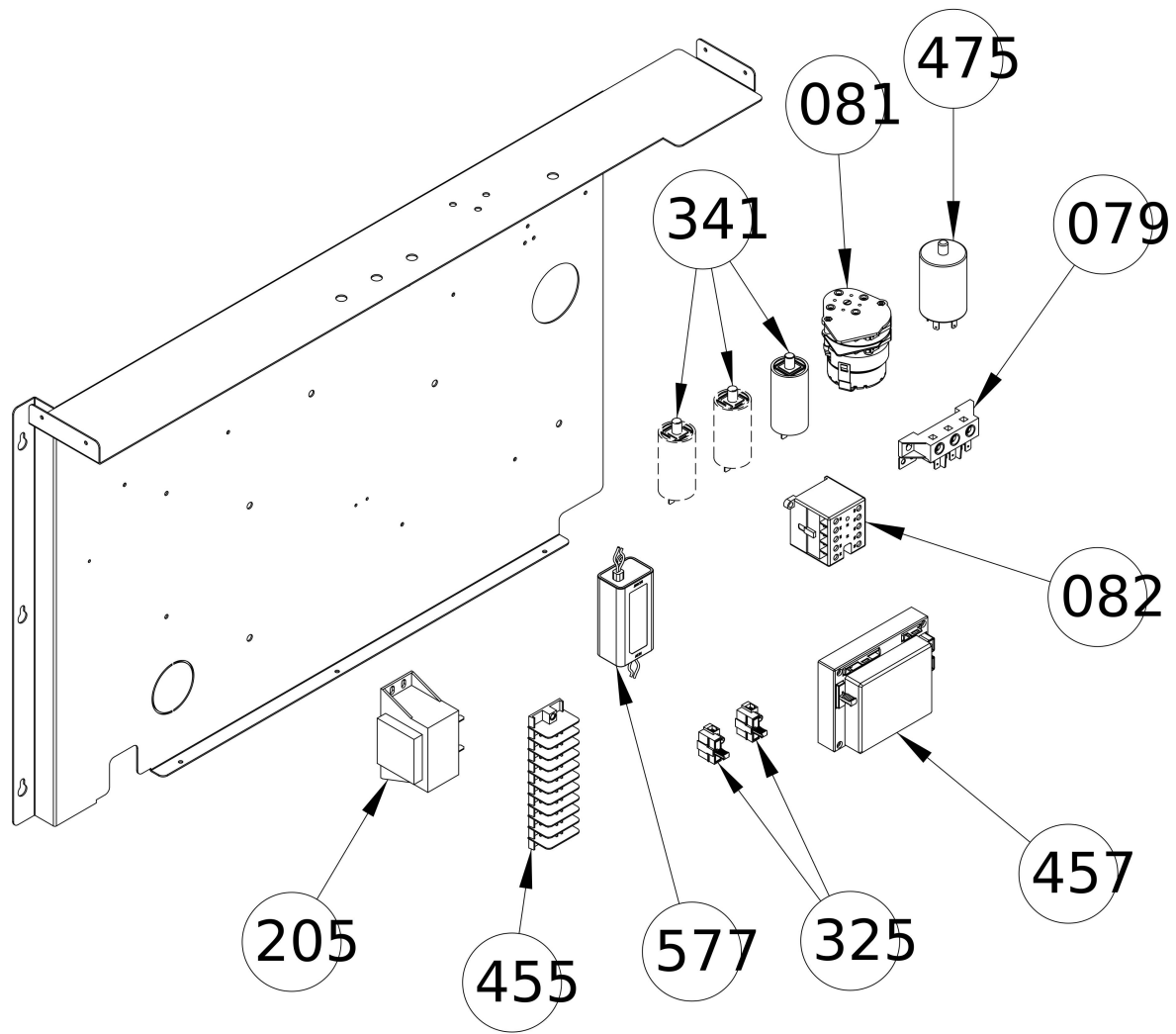


#	Code	Description	Specification	UM	Qty
001	TBC-FRO*	FRONTAL STICKER	To order share s/n	pz	1
002	40MAN00015	ENCODER KNOB		pz	3
003	020LSP0004	ORANGE LIGHT		pz	2
006	020TMR0001	LINEAR TIMER		pz	1
006	020TMR0002	TIMER LOGARITMIC FOR LIDO/GIUDECCA		pz	1
007	020TER0001	CHAMBER THERMOSTAT		pz	1
008	020RDE0001	HUMIDIFICATION TIMED SWITCH		pz	1
009	TBC-CRU	OVEN FRONTAL PANEL	To order share s/n	pz	1
011	20PUL00016	RED LIGHT BUTTON ?19-12 220V NO		pz	1
024	020DEV0001	2 SPEED ELECTRIC DIVERTER		pz	1
328	020SCH0016	BUZZER ELECTRONIC BOARD		pz	1

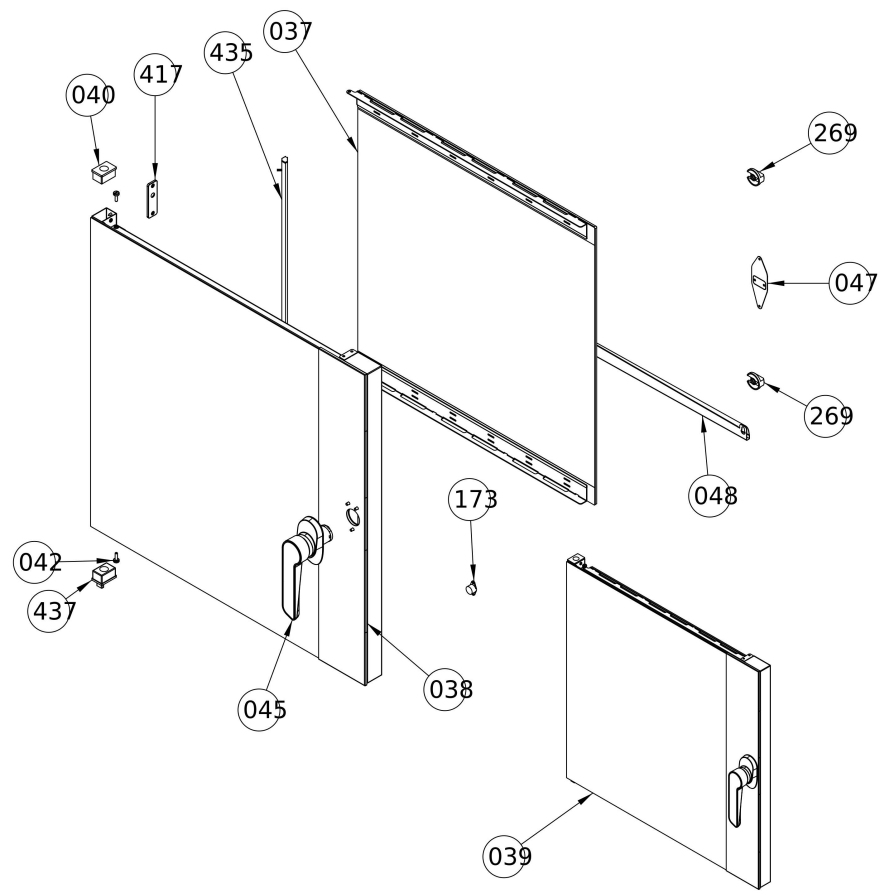
---

Mechanical frontal panel



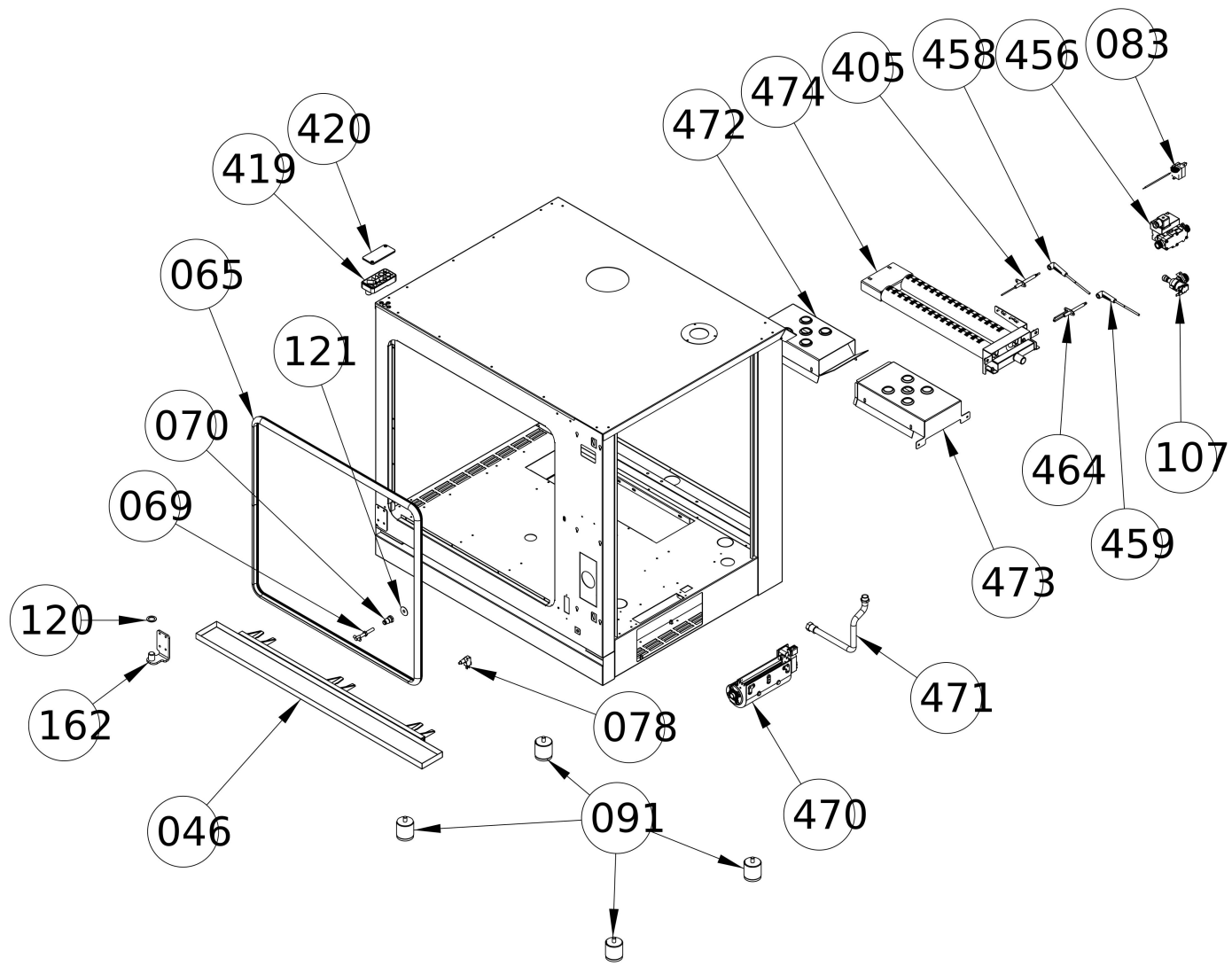
Electrical box

#	Code	Description	Specification	UM	Qty
079	020MOR0003	TERMINAL BLOCK		pz	1
081	020PRC0001	MOTOR DIRECTION TIMED SWITCH		pz	1
082	020TEL0004	BRAKER		pz	1
205	020TRS0001	TRANSFORMER		pz	1
325	20PUL00012	FUSE RACK		pz	2
341	TBC-COND	CAPACITOR	To order share s/n	pz	2
455	020MOR0008	TERMINAL BLOCK 10 POLES FASTON		pz	1
457	63FCN00001	GAS FLAME CONTROL NDM31 CAM10568		pz	1
475	TBC-FIL	EMC FILTER	To order share s/n	pz	1
577	20ALM00004	POWER SUPPLIER 16,8W		pz	1



Door

#	Code	Description	Specification	UM	Qty
037	85AVI00002	INTERNAL GLASS ASSY		pz	1
038	TBC-85AVE00003*	EXTERNAL GLASS	To order share s/n	pz	1
039	TBC-85PTA00056*	DOOR SQ06-07	To order share s/n	pz	1
040	040TAP00001	BLACK CAP		pz	1
042	70VIT029	DOOR ROTATION SCREW		pz	2
045	60MAG00013	HANDLE		pz	1
047	10PIAA10SAA012	HANDLE PLATE		pz	1
048	10VAS006	DROPS COLLECTOR TRAY		pz	1
173	60MGNSN002	DOOR SENSOR MAGNET		pz	1
269	040MAN00010	INTERNAL GLASS BLOCKING KNOB		pz	2
417	40DIS00014	MAGNETIC SENSOR PLATE		pz	1
435	020LED0002	LAM LED PT 6T CR530OP4 L=565MM		pz	1
437	040TAP00025	BOTTOM DOOR CAP		pz	1

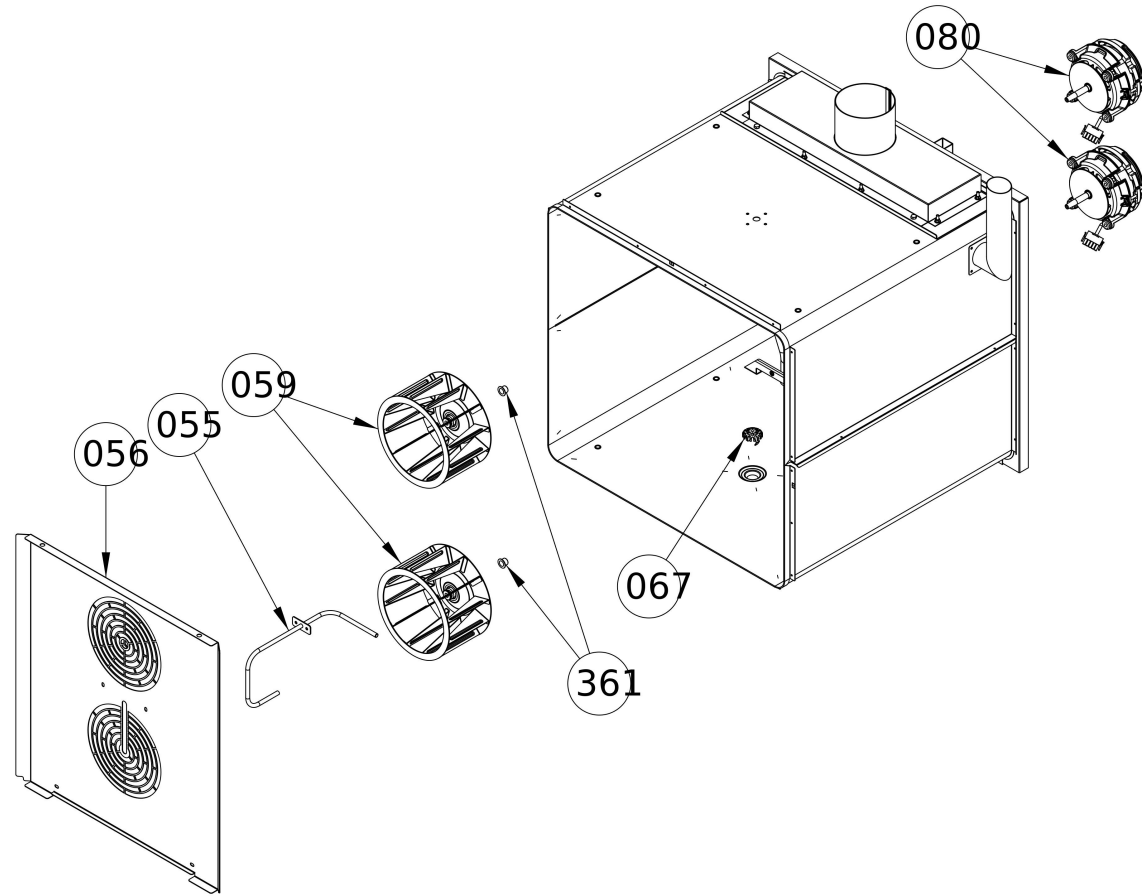


Oven body

#	Code	Description	Specification	UM	Qty
046	85VAS00012	CONDENSATE TRAY		pz	1
065	040GUA00002	DOOR GASKET COMBISTEAMER		cm	260
069	60NASAI001	HANDLE STUD L70MM		pz	1
070	60PERAI003	HANDLE PIVOT RCB-RCG		pz	1
078	020PUL0002	MICRO SWITCH		pz	1
083	020TER0007	SAFETY THERMAL SWITCH		pz	1
091	50PIEAI002	OVEN FEET H50		pz	4
107	20ELE00014	SOLENOID VALVE		pz	1
120	10PIAA20NAA010	DOOR SPACER RING		pz	1
121	10PIAA10SAA013	DOOR LOCK PLATE		pz	1
162	85CER00008	BOTTOM HINGE		pz	1
405	020ELT00002	FLAME CONTROL ELECTRODE		pz	1
419	40CER00001	TOP HINGE		pz	1
420	40CER00002	TOP HINGE COVER		pz	1
456	63VLV00002	MULTIFUNCTION GAS ELECTROVALVE GVK12		pz	1
458	180CAV026	CONNECTOR FOR FLAME CONTROL ELECTRODE		pz	1
459	180CAV027	CONNECTOR FOR IGNITION SPARK ELECTRODE		pz	1
464	020ELT00001	IGNITION SPARK ELECTRODE		pz	1
470	20VNT00001	CROSS-FLOW FAN TG6 180		pz	1
471	50GAS00011	GAS PIPE		pz	1
472	85BRU00004	BURNER COVER		pz	1
473	10TBA00004	BRUNER COVER		pz	1
474	85BRU00002*	FIXING PLATE ASSEMBLY FOR SQG ATM	To order please specif...	pz	1

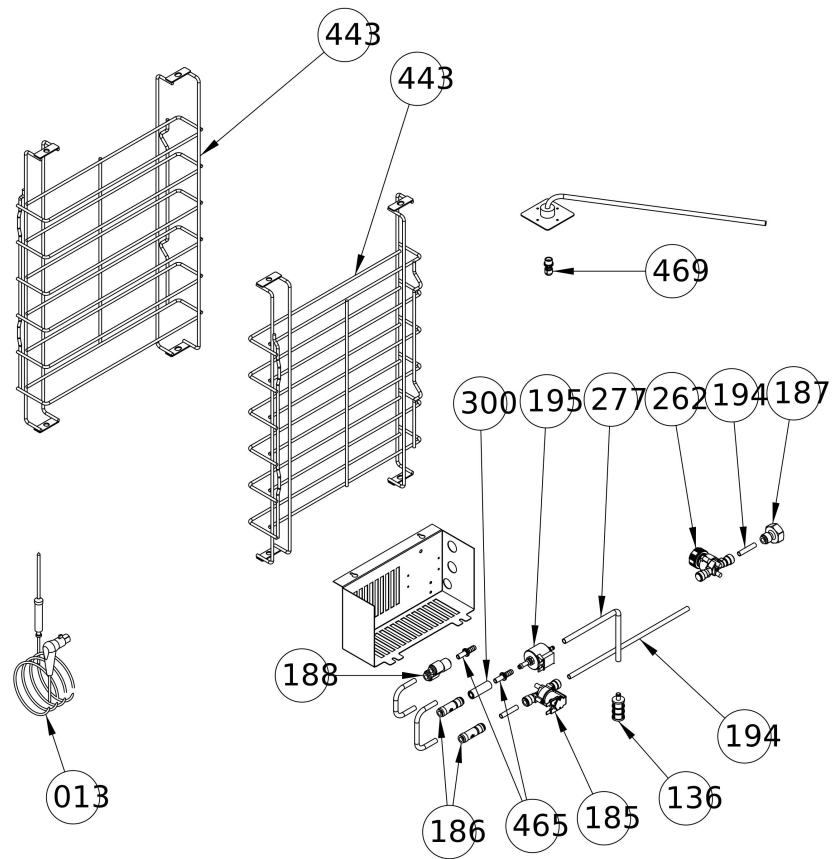
Oven body





Cooking chamber

#	Code	Description	Specification	UM	Qty
055	85TBA00044	HUMIDIFICATION PIPE		pz	1
056	10DEF00047	AIR DEFLECTOR SQ06G-SQ07G		pz	1
059	60VEN00021	FAN		pz	2
067	85PIA00003	PLATE		pz	1
080	20MOT00035	MOT.MFA80H25 1SPEED CONE SHAFT ?12 M6		pz	2
361	40BOC00012	FLANGE BEARING ?12 INT. ZFM-1214-12		pz	2



Internal accessories

#	Code	Description	Specification	UM	Qty
013	020SON0003	CORE PROBE TCJ + PLUG		pz	1
136	40FIL00004	DETERGENT FILTER		pz	1
185	020ELE0004	SELF CLEAN SOLENOID VALVE		pz	1
186	040RAC00005	CHECK VALVE IN/OUT JG 8MM 5/16SCV		pz	2
187	040RAC00006	JG8-3/4G JOINT		pz	1
188	040RAC00003	Y JOINT 5/16		pz	1
194	30TUBP80007	PLASTIC PIPE 8X6		cm	300
195	20PMP00004	MICROPUMP 220V/60 HZ		pz	1
262	040FIL002	WATER FILTER		pz	1
277	30TUBPVC003	PLASTIC WATER PIPE PVC 6X9		cm	100
300	30TBG00004	HT DETERGENTE PIPE 8X15 BLUE		pz	5
443	TBC-GRI	TRAYS HOLDER	To order share s/n	pz	2
465	40RAC00034	PIPE HOSE 8-8		pz	2
469	60UGE00003	SELF CLEANING NOZZLE		pz	1