

Apach

COOK *line*

Catalogo parti di ricambio valido
dalla matricola 0000001 (31.10.2006) ad oggi (22.11.2023)

Catalogue pieces detachees
valable à partir du numero de Série n. 0000001 (31.10.2006) jusqu'à aujourd'hui
(22.11.2023)

Ersatzteilkatalog
gültig ab Serien-Nr. 0000001 (31.10.2006) bis heute (22.11.2023)

Spare parts catalogue
valid from serial no. 0000001 (31.10.2006) up today (22.11.2023)

Catálogo de peças de reposição
válido do número de série 0000001 (31.10.2006) até hoje (22.11.2023)

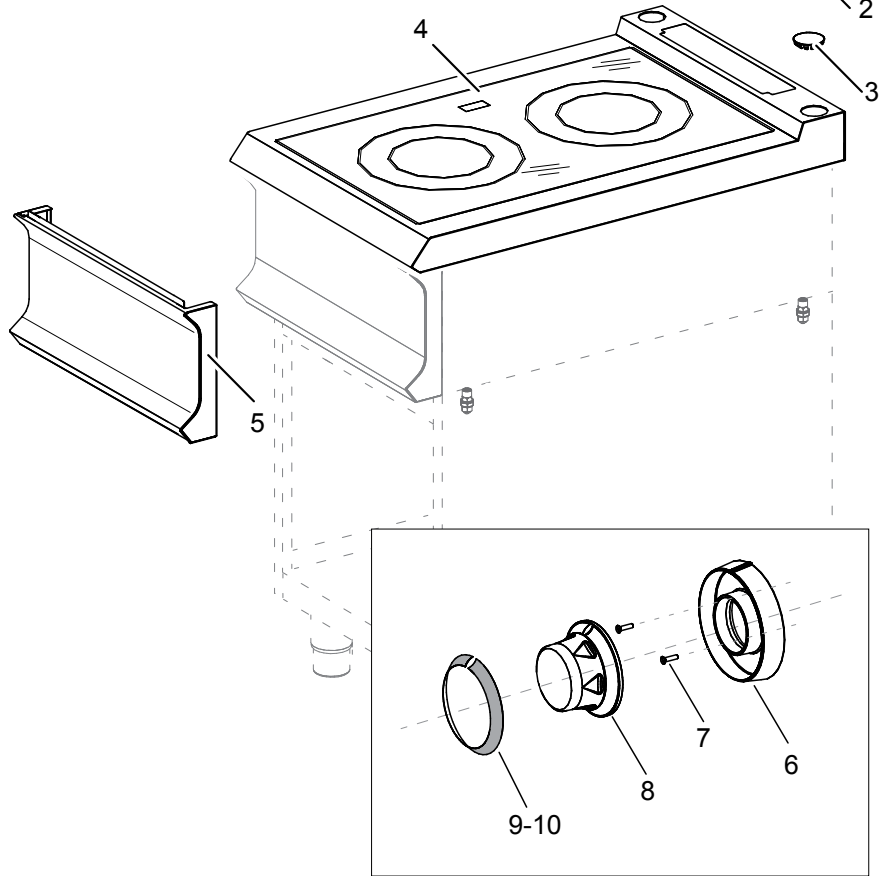
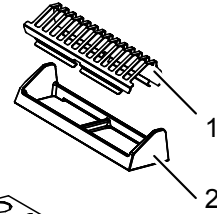
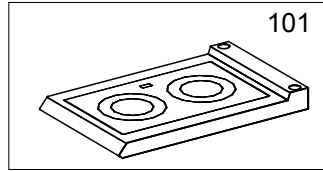
Le informazioni sono considerate non vincolanti. Le immagini rappresentate sono puramente indicative. Il produttore si riserva il diritto di apportare modifiche in qualsiasi momento senza preavviso.

Les informations données ne sont pas contraignantes. Les images montrées sont à titre indicatif. Le producteur se réserve le droit d'apporter des modifications sans préavis.

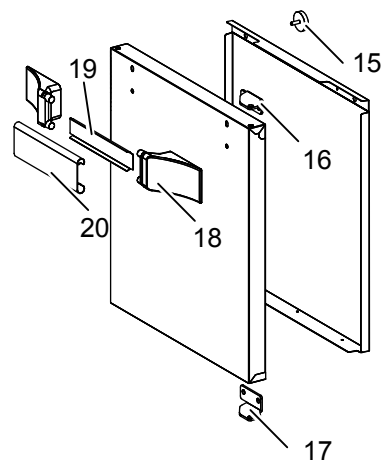
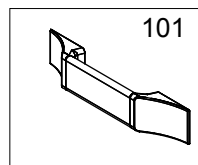
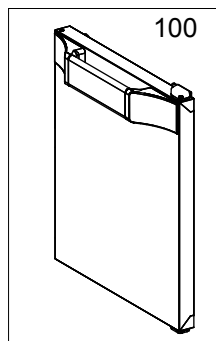
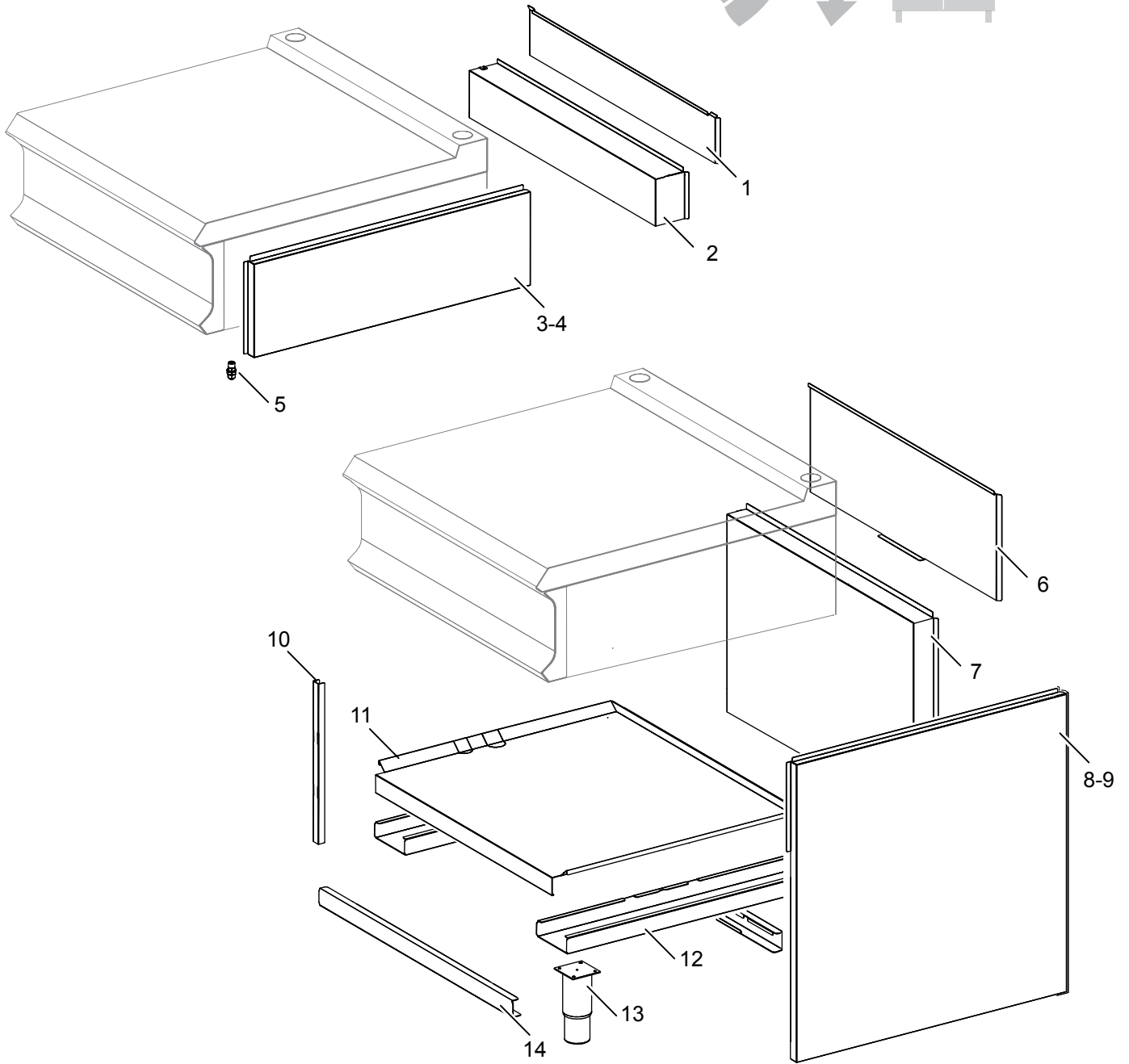
Die im vorliegenden Dokument aufgeführten Informationen und Bilder sind unverbindlich. Der Hersteller behält sich das Recht vor, jederzeit ohne vorherige Ankündigung Änderungen vorzunehmen

Info and drawing could be slightly different from reality and they cannot be considered as compelling. Manufacturer can modify info anytime without forewarning.

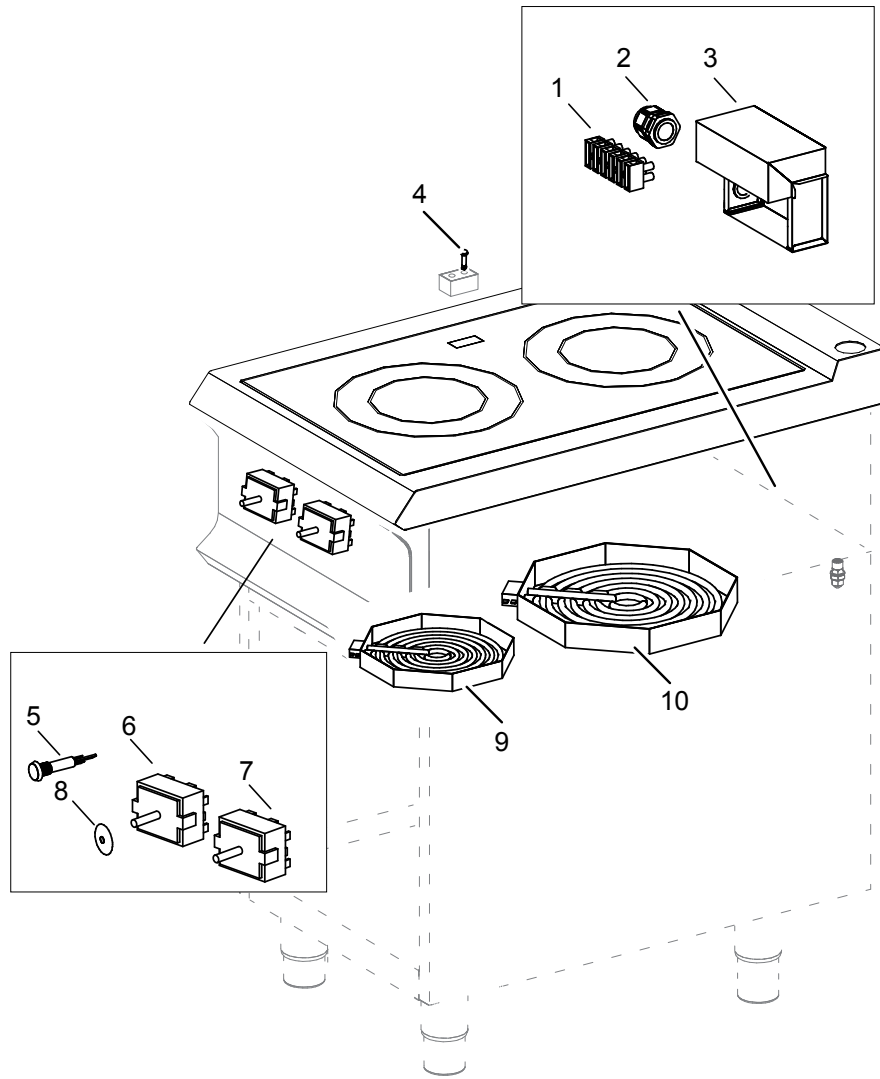
As Informações e desenhoS podem estar um pouco diferente da realidade e são puramente indicativas. O fabricante pode modificar estas informações a qualquer momento sem aviso prévio.



Nr.	Code	Title	Recommended
1.	202046	CHIMNEY GRILL	
4.	202035	WORK PLANE	
5.	202260	CONTROL PANEL	
8.	202200	ELECTRIC KNOB BODY M-PLUS	
9.	200480	SWITCH RING 2,5 KW	
10.	200479	SWITCH RING 1,8 KW	
100.	ECS7047	RECOMMENDED PARTS FOR VC74A_74T	
101.	RIC0005133	COVER UNIT WITHOUT ELECTRICAL COMPONENTS	



Nr.	Code	Title	Recommended
6.	200036	<i>BACK SIDE TALL</i>	
7.	200033	<i>BACK SIDE LOWER</i>	
8.	200032	<i>LATERAL SIDE LEFT</i>	
9.	200031	<i>LATERAL SIDE RIGHT</i>	
11.	200015	<i>REMOVABLE LOWER FLOOR</i>	
12.	200030	<i>CROSS FEET</i>	
13.	RTCU700277	<i>FOOT</i>	
14.	200029	<i>FRONT / REAR CROSS MEMBER</i>	



Nr.	Code	Title	Recommended
1.	RTBF900045	TERMINAL BOARD	
2.	RTBF700021	CABLE PRESS WITH NUT	
3.	201571	CABINET TERMINAL BLOCK PROTECTION	
4.	RIC0004771	HEAT LIGHT	✓
5.	166465	GREEN WARNING LIGHT	✓
6.	RIC0001299	ENERGY CONTROL 1,8KW	✓
7.	RIC0001010	ENERGY REGULATOR SINGLE CIRCUIT 240V 13A	✓
8.	RTCU800185	GASKET FOR COMMUTATOR ROD	✓
9.	RIC0001294	ELECTRIC PLATE 2,5 KW	✓
10.	RIC0001295	ELECTRIC PLATE 1,8KW	✓