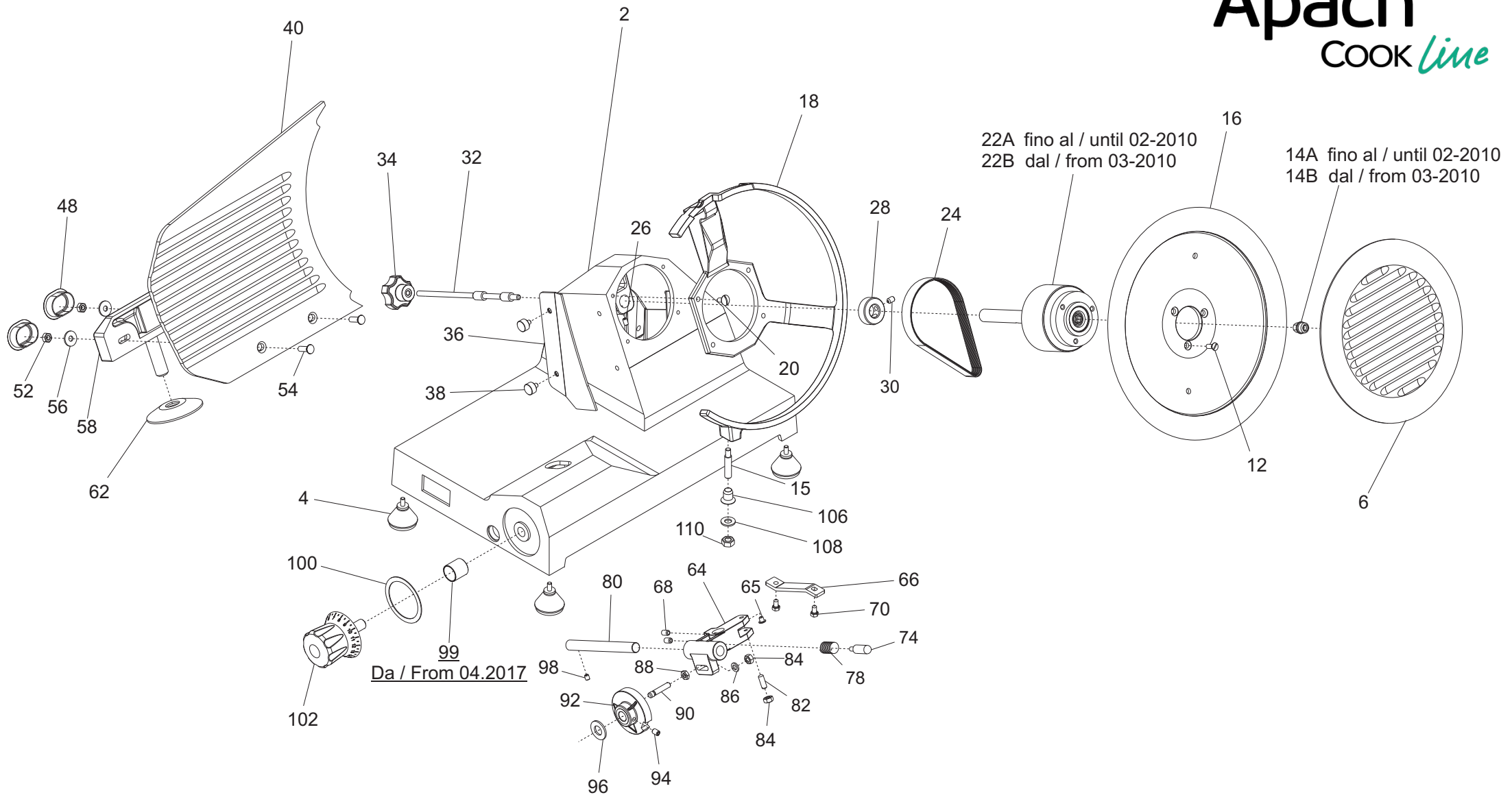


Apach

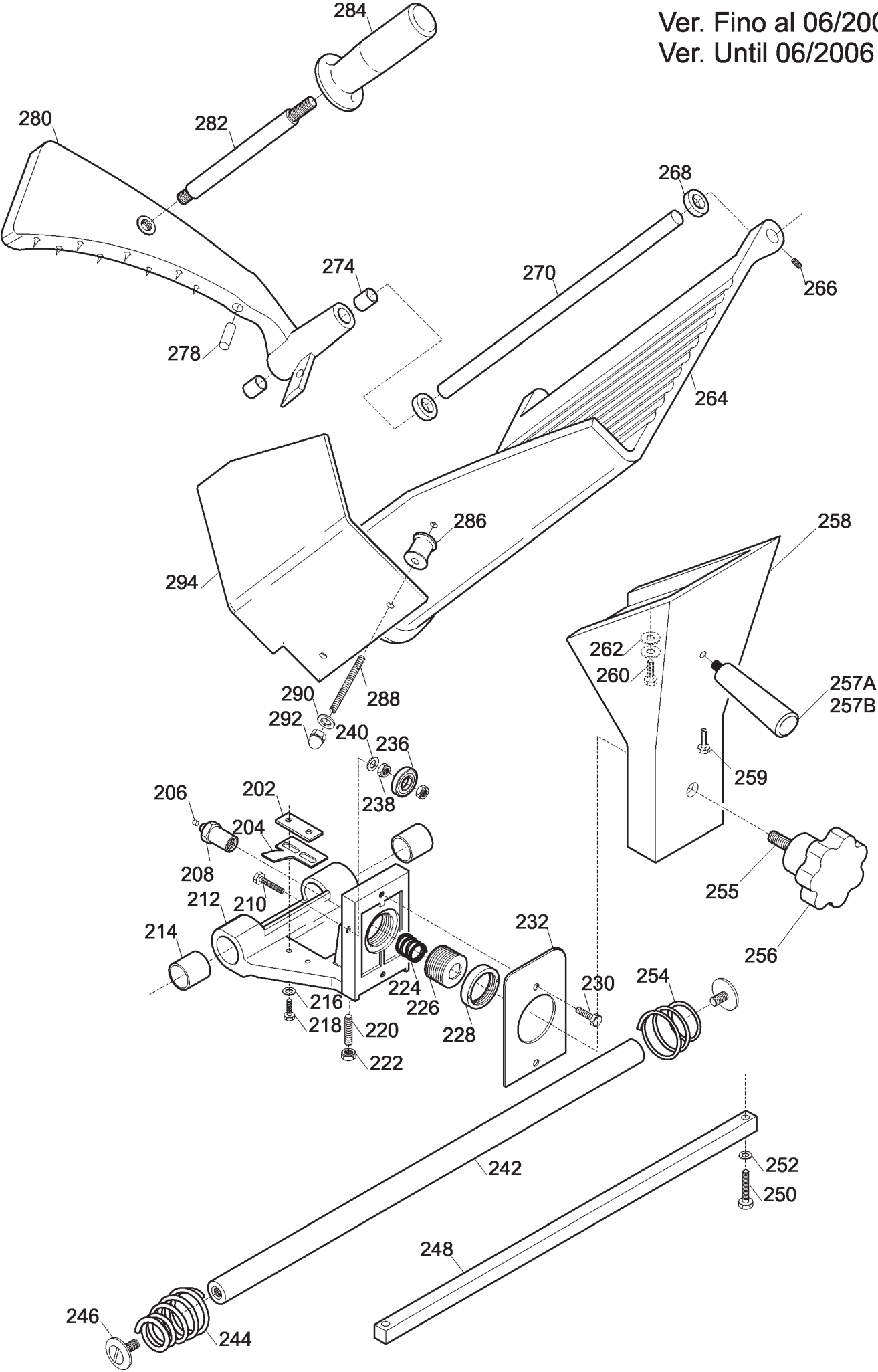
COOK *Line*



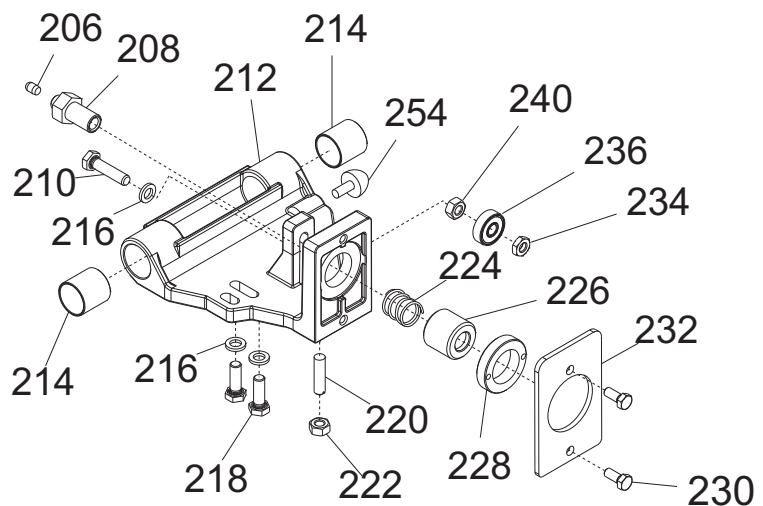
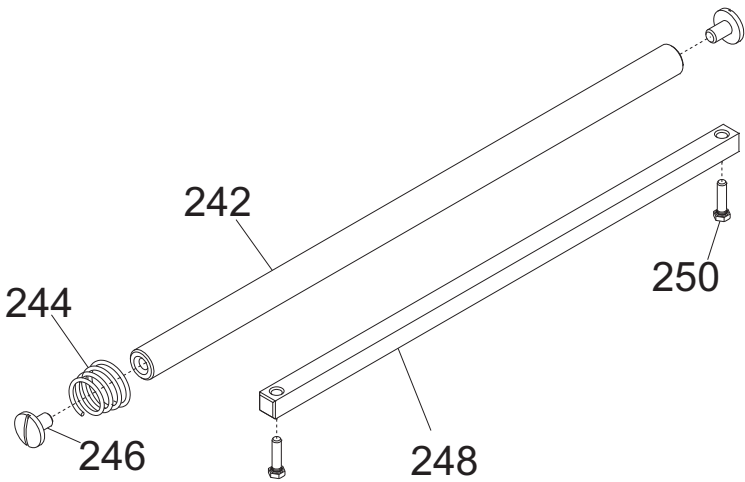
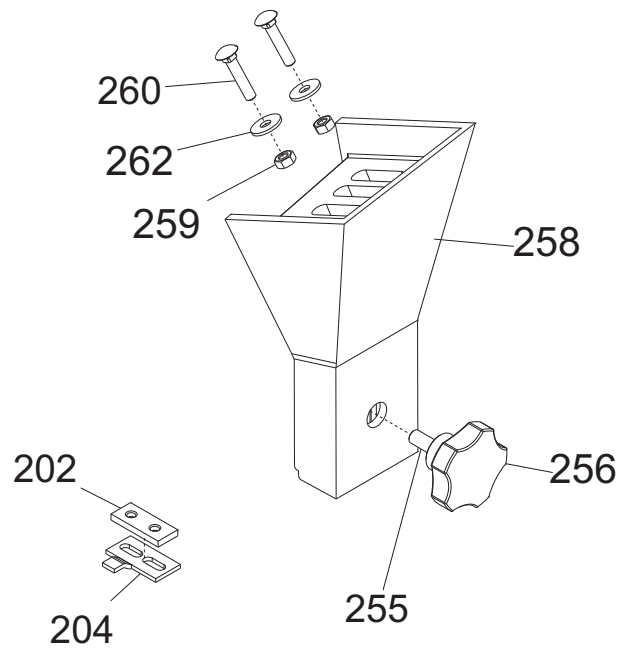
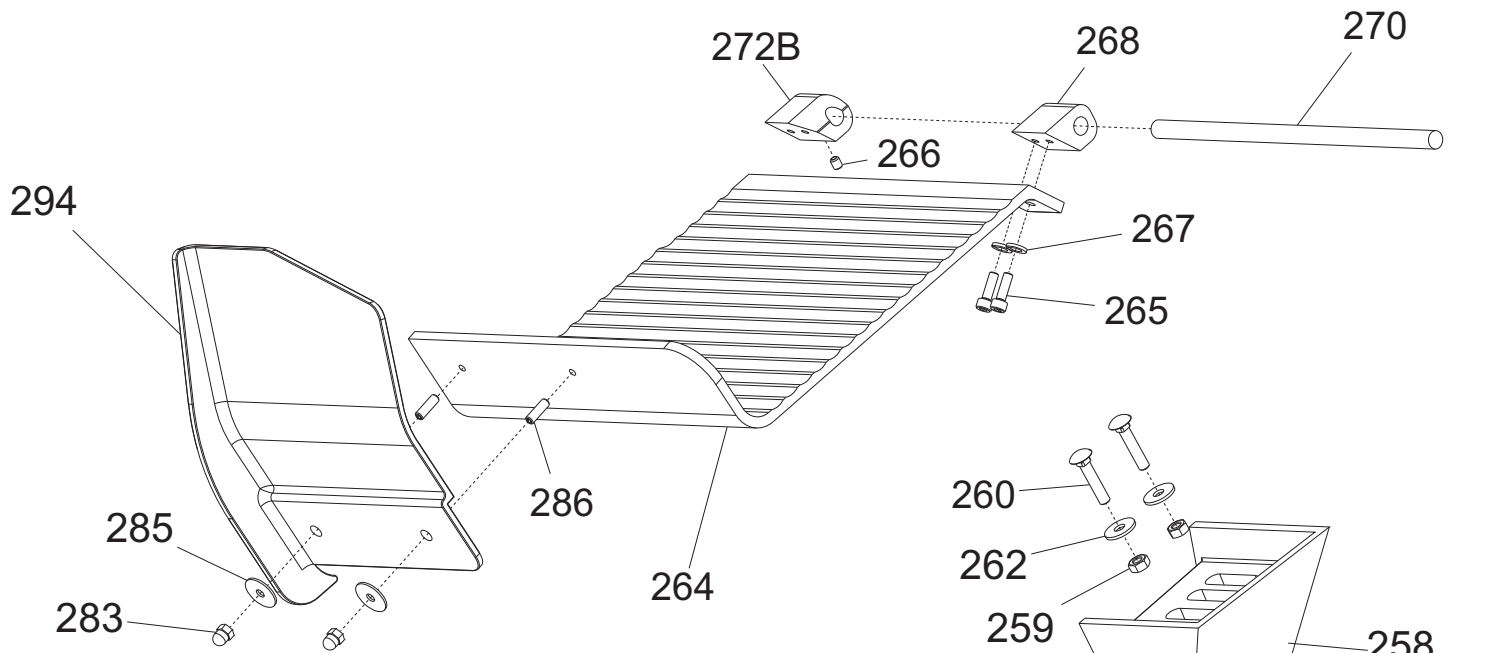
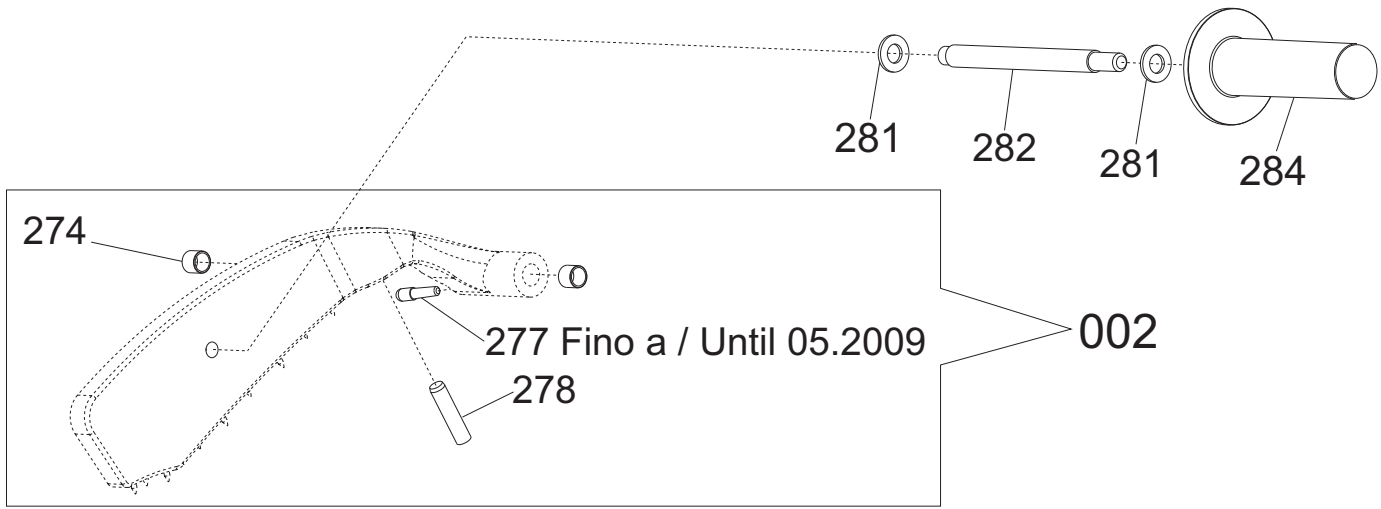
Ref	Code	Name
2	19510101/01	BASE/FRAME FOR SLICER MIRRA 220-250
4	19560201	FOOT M5 FOR SLICER/CUTTER
6	19510230	INT.LAMA 275 VERT+GRAV. OSSIDATO
12	IX2963005014	FLATHEAD CSK SCREW DIN 963 M5 X 14
14A	19530901	BLADE GUARD LOCK RING FOR SLICER
14B	19530930.10	LOCK NUT MIRRA 300 Y09
15	19534083	PERNO X ANELLO MRR 275 C SG
16	18275403218F	BLADE 275 - 40/3/218 CE
16T	18275403218TF	BLADE 275 40/3/218 TEFLON CE
18	19513005	AN.PR.LAMA 275 SG MRR CORT
20	IX2POEL005012	SCREW POELIERS M 5X12
22A	00-OUT	FUORI PRODUZIONE-OUT OF PRODUCTION
22B	19700340.10	BLADE SHAFT _ MIRRA 220-300 Y10
24	19310201	BELT TB2 345 X 8
26	NE0916005008	GRUB SCREW DIN 916 M 5X8 NE
28	19540901	MICROSWITCH HOLDING RING _ MIRRA
30	IX2913006008	SCREW DIN913 M6X8 P.PN
30	NE0916005008	GRUB SCREW DIN 916 M 5X8 NE
32	19530532	BLADE COVER TIE ROD MIRRA 220-250
34A	19562502	BLACK KNOB M6X5
34B	19564016	TIE ROD KNOB M 6 BLUE _ MIRRA
36	19531021	PARAFETTA MRR CORT 275 SG SV
38	19335014	DEFLECTOR SCREW M5 _ AGS
40	195103E06C	VELA SG 275 ESTR.MRR.NEW CE OSSIDAT
48	19560132	SUPPORT CAP _ MIRRA 220-300
52	IX2934006	HEX.NUT DIN 934 M 6
54	19335060	FIXING SCREW _ MIRRA 220-250
56	IX29021006018	WASHER WIDE DIN 9021 D 6X18
58	19510701.18	GAUGE PLATE HOLDER _ MIRRA 220-250C
62	19563002	LARGE WASHER
64	19500101/01	GAUGE PLATE SLIDE _ MIRRA
65	19563201	MOVEMENT HEAD D8,5XHT2 FOR SLICER
66	19540601	SLIDE GUIDE _ MIRRA
68	NE0916006010	GRUB SCREW DIN 916 M 6X10 NE
70	IX2933005012	HEX HEAD SCREW DIN 933 M5X12
74	19531360	SPRING PIN _ MIRRA 220/50
78	19390201/02	SLIDE SPRING _ MIRRA 220-250
80	19530701	PLATE SLIDE PIN D12X122,5 _ MIRRA
82	19337032	BRASS STUD BOLT M6 X 17 _ AGS
82	19337002	BRASS STUD BOLT 6X25
84	IX2934006	HEX.NUT DIN 934 M 6
86	IX2125006	FLAT WASHER DIN 125 D 6
88	IX2439006	LOW HEX.NUT DIN 439 M 6
90	19336062/01	CAM PIN FOR MIRRA
92	19563505LG	CAM FOR MIRRA 220/275/300 CE
94	NE0916005008	GRUB SCREW DIN 916 M 5X8 NE
96	19342005	CORRUGATED WASHER 12
98	NE0916005006	GRUB SCREW DIN 916 M5 X 6 NE
99	19324114	BOCCOLE AUTOLUBR.12.14.25

100	19562145	THICKNESS KNOB WASHER _ MIRRA
102A	19562403	NUMBERED KNOB
102B	19564020	THICKNESS KNOB BLUE _ MIRRA
106	19534062	LOCK NUT
108	IX2125008	FLAT WASHER DIN 125 D 8
110	IX2934008	HEX.NUT DIN 934 M8

Ver. Fino al 06/2006
Ver. Until 06/2006

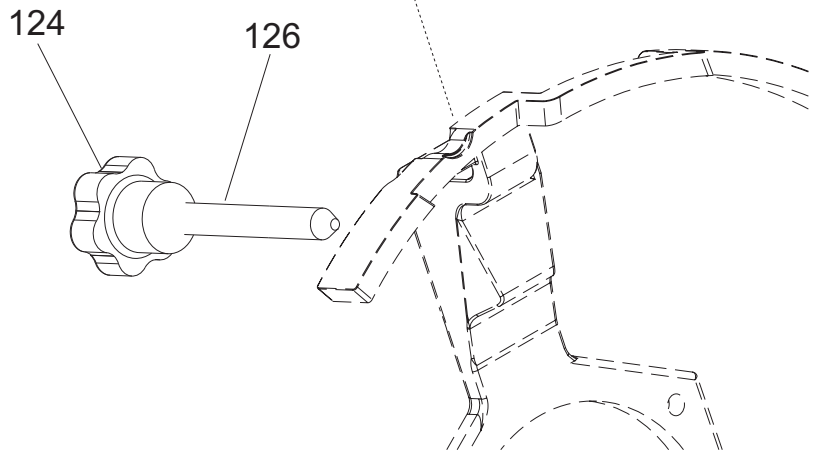
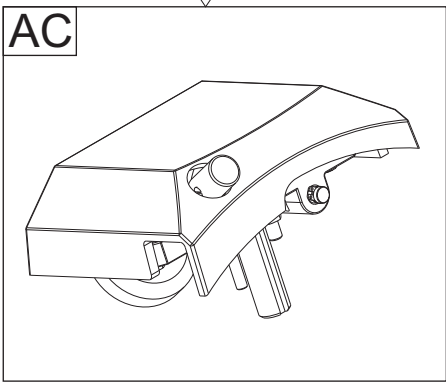
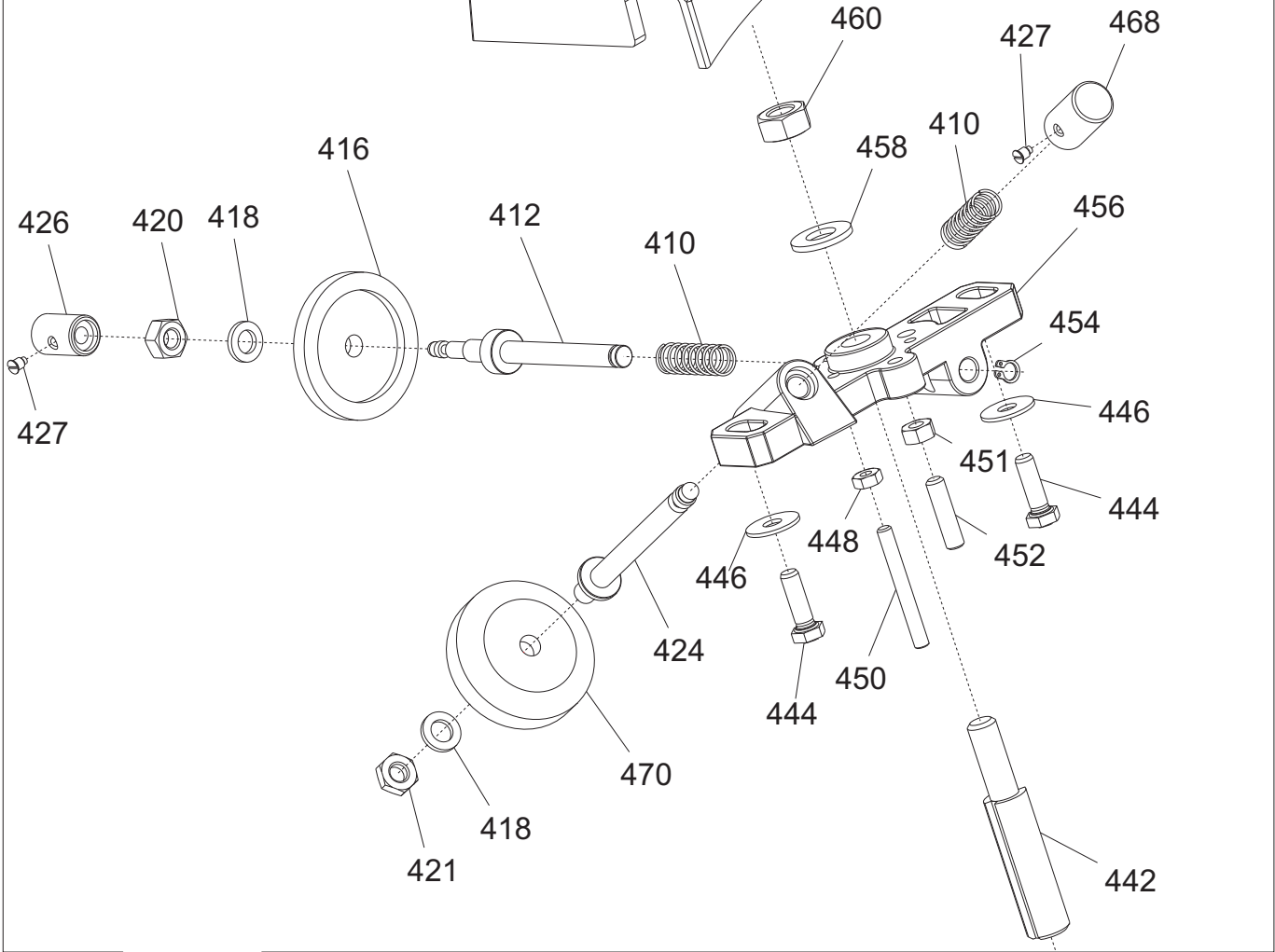
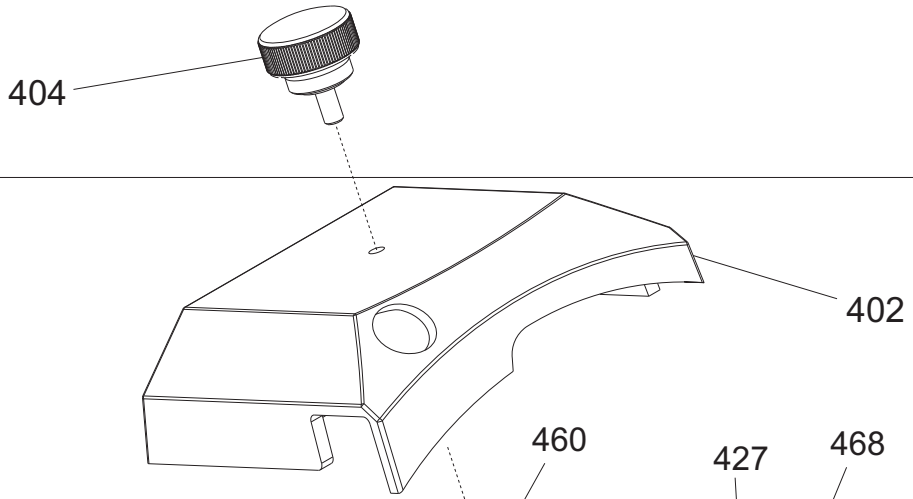


Ref	Code	Name
202	19533200	THREADED RELEASE PLATE _ SLICER CE
204	19533210	CARRIAGE RELEASE PLATE _ MIRRA CE
206	19565001	RELEASE NEEDLE _ SLICER 300-385 CE
208	19534034	PIN _ SLICER 220-250 CE
210	IX2933006030	SCREW TE DIN 933 M 6X30 T.F.
212+214	19500516	CARRIAGE FOR SLICER
214	19324108	BUSHING 18.20.20
216	IX2125006	FLAT WASHER DIN 125 D 6
218	IX2933006022	SCREW TE DIN 933 M 6X22 T.F.
222	IX2934006	HEX.NUT DIN 934 M 6
224	19390600	RELEASE SPRING _ SLICER 220-250 CE
226	19534024	THREADED BUSH _ SLICER 220-250 CE
228	19534029	LOCKRING EXT. _ SLICER 220-250 CE
230	IX2933005010	HEX.SCREW DIN 933 M5 X 10
232	19533001	PIASTRINA CARRELLO 220-250-300V CE
234	IX2439006	LOW HEX.NUT DIN 439 M 6
236	19320103	CARRIAGE BEARING 626 2RS R50 _MIRRA
238	IX2934006	HEX.NUT DIN 934 M 6
240	IX2125006	FLAT WASHER DIN 125 D 6
242	19530601	SLIDE ROUND BAR _ MIRRA
244	19390111	ROUND BAR SPRING D.18 AGS 220-250
246	19335001	ROUND BAR SCREW T.20 _MIRRA
248	19540101	SQUARE BAR _ AGS
250	IX2933005020	HEX.SCREW DIN 933 M5 X 20
254	19390101	ROUND BAR SPRING AGS 220-250
255	IX2913008030	VITE SENZA TESTA DIN 913 M 8X30 CE
256A	19562504	TIE ROD KNOB M8 5
256B	19564013	BLADE GUARD TIE ROD KNOB M8 _ BLUE
257B	19564019.13	MEAT PRESS HANDLE BLUE _ MIRRA
258	19510616	GAMBO MRR CE OSSIDATO
260	IX2933006022	SCREW TE DIN 933 M 6X22 T.F.
262	IX29021006018	WASHER WIDE DIN 9021 D 6X18
264	00-OUT	FUORI PRODUZIONE-OUT OF PRODUCTION
266	NE0916005006	GRUB SCREW DIN 916 M5 X 6 NE
268	00-OUT	FUORI PRODUZIONE-OUT OF PRODUCTION
274	19324101	BUSHING 10.12.10
278	19563208	BUFFER D6,5X30 FOR AGS
280	19801233	MEAT PRESS ASSEMBLY SLICER CE
281	IX2125010	WASHER DIN 125 D 10
282	19541508	SPACER D12X150 _AGS CE
284A	19562904BZ	MEAT PRESS HANDLE CE
284B	19564012	MEAT PRESS HANDLE - BLUE
286	19521601	SPACER D.20X15MM
288	19336003	STUD BOLT M5 X 30
290	IX29021005020	WASHER LARGE DIN 9021 D 5X20
292	IX21587LC005	BLIND NUT DIN 1587 M5
294	19562322	HAND GUARD _AGS 220-250



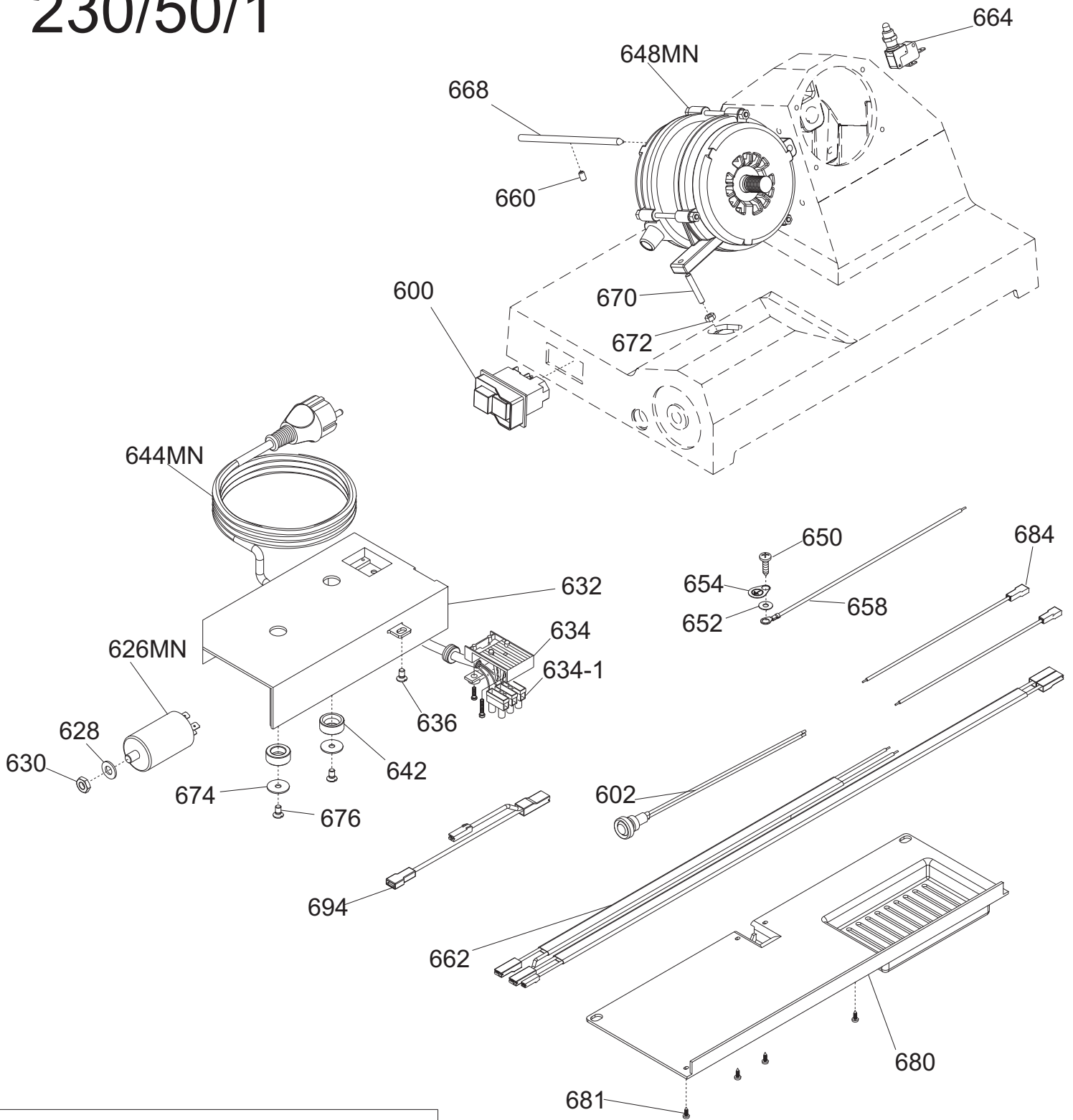
Ref	Code	Name
2	19801233	MEAT PRESS ASSEMBLY SLICER CE
202	19533200	THREADED RELEASE PLATE _ SLICER CE
204	19533210	CARRIAGE RELEASE PLATE _ MIRRA CE
206	19565001	RELEASE NEEDLE _ SLICER 300-385 CE
208	19534034	PIN _ SLICER 220-250 CE
210	IX2933006030	SCREW TE DIN 933 M 6X30 T.F.
212+214	19500516	CARRIAGE FOR SLICER
214	19324108	BUSHING 18.20.20
216	IX2125006	FLAT WASHER DIN 125 D 6
218	IX2933006022	SCREW TE DIN 933 M 6X22 T.F.
220	19337002	BRASS STUD BOLT 6X25
222	IX2934006	HEX.NUT DIN 934 M 6
224	19390600	RELEASE SPRING _ SLICER 220-250 CE
226	19534024	THREADED BUSH _ SLICER 220-250 CE
228	19534029	LOCKRING EXT. _ SLICER 220-250 CE
230	IX2933005010	HEX.SCREW DIN 933 M5 X 10
232	19533001	PIASTRINA CARRELLO 220-250-300V CE
234	IX2439006	LOW HEX.NUT DIN 439 M 6
236	19320103	CARRIAGE BEARING 626 2RS R50 _ MIRRA
240	IX2934006	HEX.NUT DIN 934 M 6
242	19530601	SLIDE ROUND BAR _ MIRRA
244	19390111	ROUND BAR SPRING D.18 AGS 220-250
246	19335001	ROUND BAR SCREW T.20 _ MIRRA
248	19540101	SQUARE BAR _ AGS
250	IX2933005020	HEX.SCREW DIN 933 M5 X 20
254	19560170	CARRIAGE BUFFER M5X12 AGS 220-300
255	IX2913008030	HEADLESS SCREW DIN913 M8X30 CE
256A	19562504	TIE ROD KNOB M8 5
256B	19564013	BLADE GUARD TIE ROD KNOB M8 _ BLUE
258	19510616	GAMBO MRR CE OSSIDATO
259	IX2934006	HEX.NUT DIN 934 M 6
260	19335042	SCREW, PRODUCT PLATE MIRRA 220-250
262	IX29021006018	WASHER WIDE DIN 9021 D 6X18
264	1,95E+16	PRODUCT PLATE _ MIRRA 250 C
265	IX2912005016	SCREW CYL.HEX. DIN 912 M 5X16
266	NE0916005006	GRUB SCREW DIN 916 M5 X 6 NE
267	IX21751006	GROWER WASHER UNI 1751 D.6
268	19525062	ROD BLOCK, STRAIGHT _ MIRRA Y06
270	19530402.06	MEAT PRESS ROD _ MRR 250 Y06/CANOVA25
272B	19525060.10	ROD BLOCK, INCLINED _ MIRRA Y10
274	19324101	BUSHING 10.12.10
277	19563213	FUNGHETTO BRACCIO P.MERCE 250
278	19563206	MEAT PRESS BUFFER D8,5XH36
281	IX2125010	WASHER DIN 125 D 10
282	19541508	SPACER D12X150 _ AGS CE
283	IX21587LC005	BLIND NUT DIN 1587 M5
284	19562904BZ	MEAT PRESS HANDLE CE
285	IX29021005020	WASHER LARGE DIN 9021 D 5X20
286	IX2913005016	GRUB SCREW DIN 913 M 5X16 CE

294	19562324.06	PLEXI HAND GUARD AGS 300 Y09
-----	-------------	------------------------------

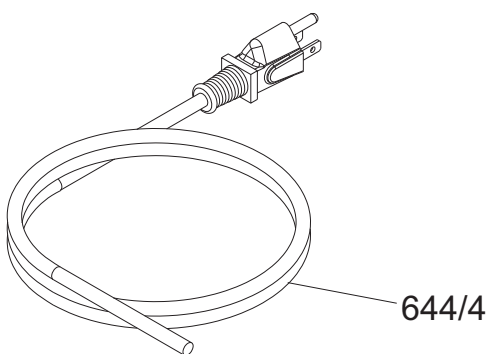


Ref	Code	Name
AC	19800032	SHARPENER ASS.Y MIRRA 250 C-300 VERT CE
124 BL	19564015	BLUE KNOB M8
124 NR	19562602	LOCKING KNOB M8
124 RS	19564008	SHARPENER LOCKING KNOB M8 6L RED
126	19336010	SHARPENER SUPPORT STUD BOLT L=75 MM
402	19511202C	SHARPENER COVER 220-250G 300SV CE
404 BL	19564018	KNOB M 5 BLUE
404 NR	19562701	SHARPENER KNOB M5
404 RS	19564005F	SHARPENER COVER KNOB M5 RED
410	19390303	SHARPENER SPRING _ SLICER 250-300
412	19540703	DEBURRING PIN _ SLICER 250-300
416	19300201	DEBURR.STONE D.40 H8 F6 (5 units)
418	IX2125006	FLAT WASHER DIN 125 D 6
420	IX2934006	HEX.NUT DIN 934 M 6
421	IX2439006	LOW HEX.NUT DIN 439 M 6
424	19540704	SHARPENING PIN _ SLICER 250-300
426	19550203	DEBURRING BUTTON _ SLICER 250-300
427	19335025	BUTTON LOCKING SCREW _ SLICER 250-370
442	19540432	PERNO COL.FR.MRR.250G/300V L=62,5
444	IX2933005016	HEX.SCREW DIN 933 M5 X 16
446	IX29021005015	PLAIN WASHER LARGE DIN 9021 D 5X15
448	IX2934004	HEX.NUT DIN 934 M 4
450	IX2913004035	GRUB SCREW DIN 913 M4 X 35 CE
451	IX2934005	HEX.NUT DIN 934 M 5
452	IX2913005020	VITE SENZA TESTA DIN913 M5X20 P.PN
454	IX2471006	ANELLI D'ARRESTO DIN 471 D 06E
456	19021332	SHARPENER FRAME _ MIRRA VERT.220-300
458	IX2125008	FLAT WASHER DIN 125 D 8
460	IX2934008	HEX.NUT DIN 934 M8
468	19550202	SHARPENING BUTTON _ SLICER 250-300
470	19300101	SHARPENING STONE D40 H11 F6

Ver. 1-PHASE 230/50/1



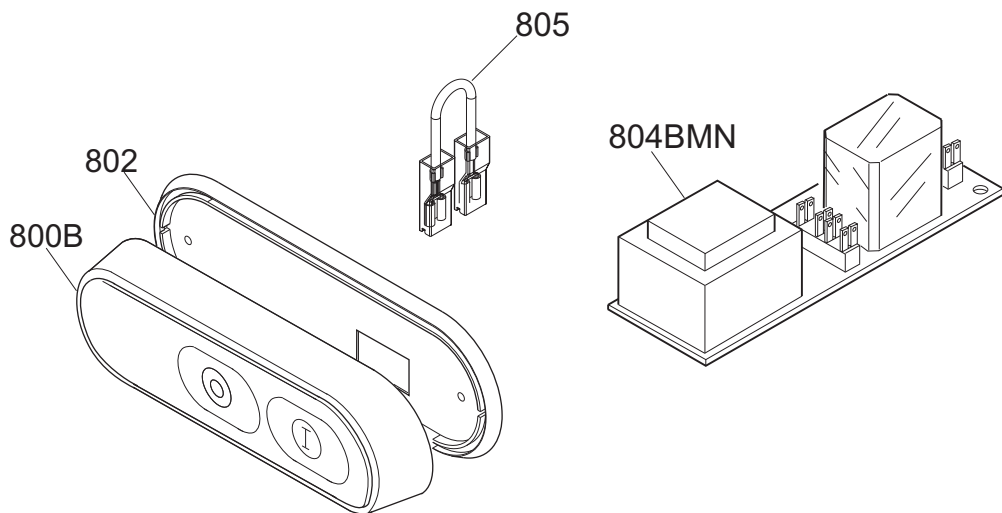
Ver. 240/50



Ref	Code	Name
600	19410152	ON/OFF SWITCH 230 V
602	19410406	SPIA UNIFICATA 220-380 VOLT
626MN	19410301	CAPACITOR 8B μ F CODOLO M8
628	IX2125008	FLAT WASHER DIN 125 D 8
630	IX2439008	LOW HEX.NUT DIN 439 M8
632	19563125	RELAY HOUSING 11-04-97 _ AGS
634	19410820	SUB-TERMINAL PA 228
634-1	19410822	TERMINAL BLOCK 3 POLES 27
636	IX284005010	SCREW TC-DIN 84 M 5X10
642	19561500	HOUSING SPACER RING
644/4	19410504	UK POWER CORD SINGLE PHASE
644MN	19410502	SUPPLY CORD SINGLE-PHASE SHUKO""
648/2	194001016	MOTOR FOR SLICER MIRRA 220/60/1
648MN	19403042	MOTOR 230/50 P.40 _ MIRRA
650	IX279813.5009.5	SELF-TAPPING SCREW DIN 7981 D 3,5X9,5
652	IX26798A004	WASHER DIN 6798-A D 4E
654	19420177	GROUND LABEL
658	19410738	GROUND CABLE UL _ MIRRA 220-250
660	NE0916005006	GRUB SCREW DIN 916 M5 X 6 NE
662	19410711	CAVET.ALIM MRR TUV
664	19410201	MICROSWITCH SINGLE-PHASE
668	19540501	S/S MOTOR ROD _ MIRRA
670	IX2913005030	GRUB SCREW DIN 913 M 5X30 CE
672	IX2934005	HEX.NUT DIN 934 M 5
674	IX29021005020	WASHER LARGE DIN 9021 D 5X20
676	IX284005010	SCREW TC-DIN 84 M 5X10
680	19563151	BOTTOM COVER _ AGS 220-250
681	IX279812.9009.5	SELF-TAP. SCREW TC+ DIN 7981 D 2,9X9,5
684	19410750	INDICATOR LIGHT CABLE
694	19410760	CAVETTO PROLUNGA TC 12 DNV

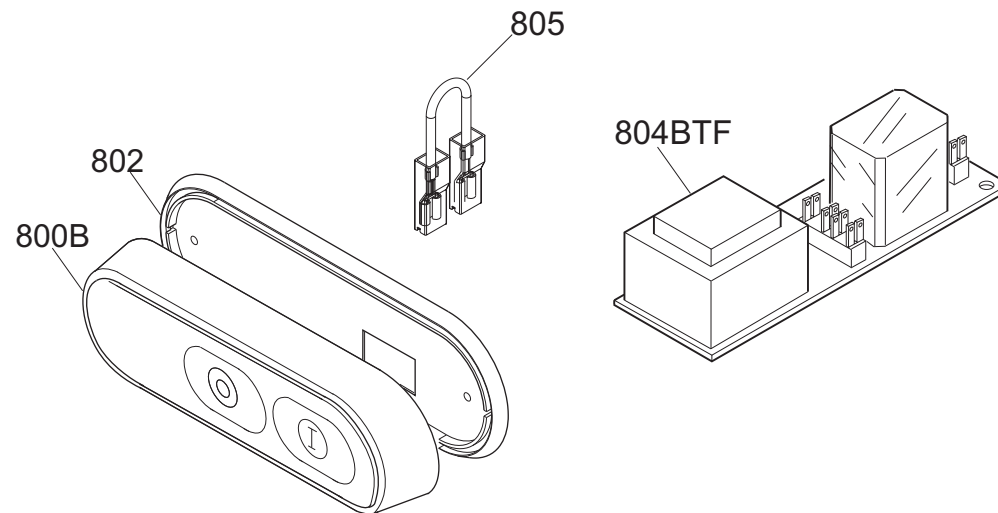
Ver. 1-PHASE

Da / From 12.2018

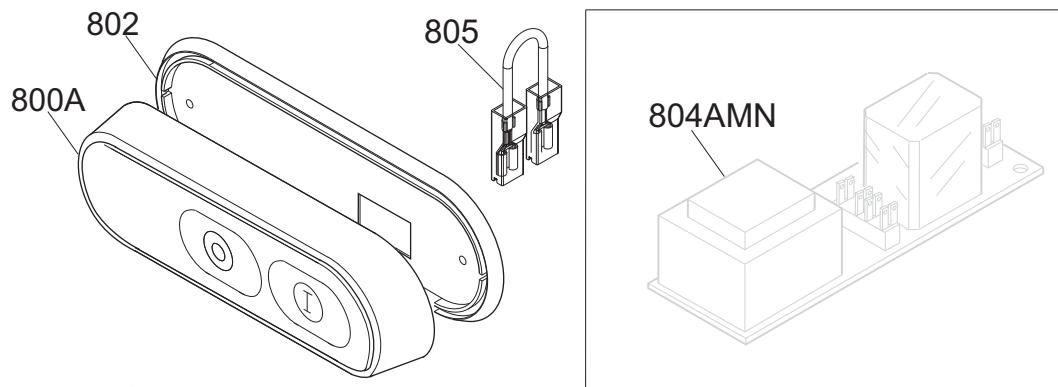


Ver. 3-PHASE

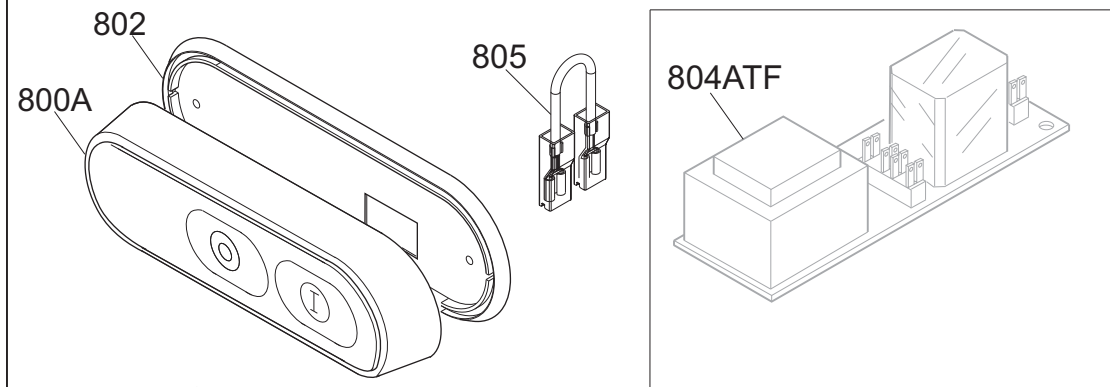
Da / From 12.2018



Fino a / Until 11.2018



Fino a / Until 11.2018



RIF. 804AMN FUORI PRODUZIONE
ORDINARE RIF. 800B+804BMN

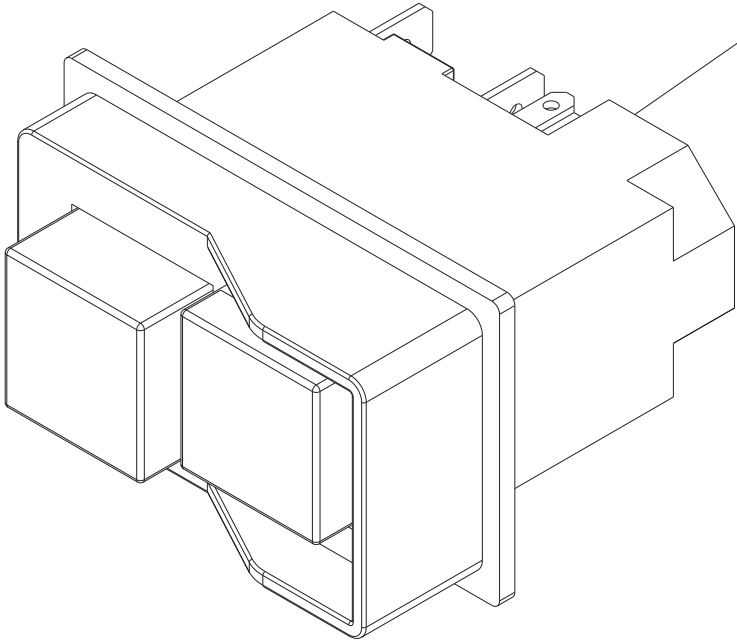
REF. 804AMN NO MORE AVAILABLE
PLEASE ORDER REF. 800B+804BMN

RIF. 804ATF FUORI PRODUZIONE
ORDINARE RIF. 800B+804BTF

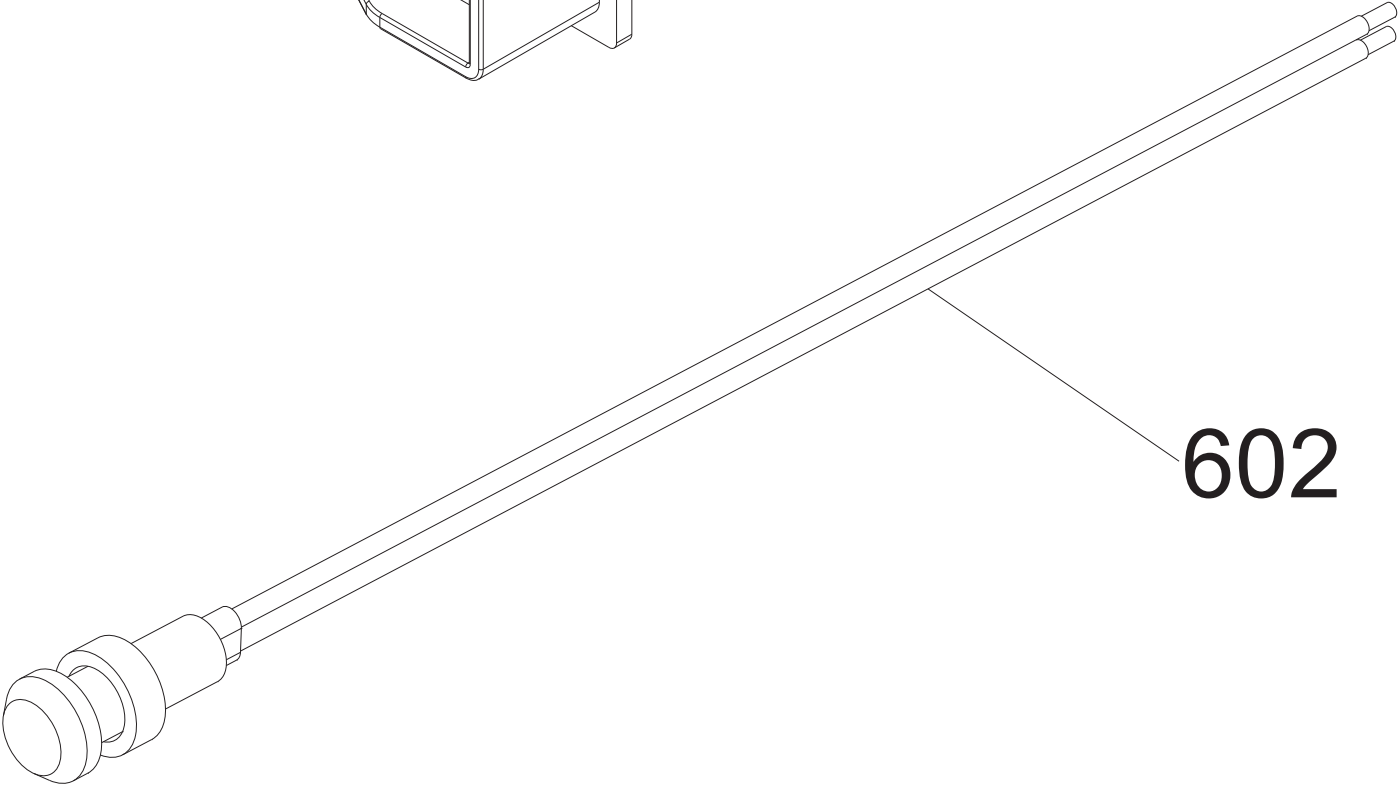
REF. 804ATF NO MORE AVAILABLE
PLEASE ORDER REF. 800B+804BTF

Ref	Code	Name
800B BN	19702022.18	CORPO PUL.BIANCA NEUTRA MONTATA Y18
800B NR	19702004.18	PUSH-BUTTON PANEL, ROUNDED Y18
802	19563034	GASKET FOR ROUND CONTROL PANEL
804BMN	19411007.18	PCB TUV Y18 230/50/1
804BTF	19411008.18	PC BOARD 220-380 3-PHASE Y18
805	19410742	WIRE FOR BRIDGE PCB SID.UL

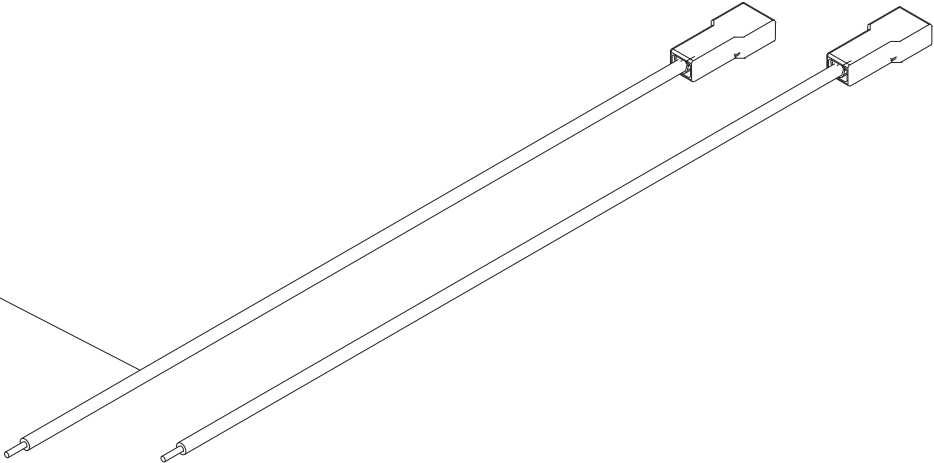
600



602



603



Ref	Code	Name
600-230V	19410152	ON/OFF SWITCH 230 V
600-380V	19410153	INTERRUTTORE + BOBINA V.380 TF
602	19410406	380/220V PILOT LAMP
603	19410750	INDICATOR LIGHT CABLE