



VACUUM SEALER SU-606CC

Floorstanding unit. 63 m³/h. 465+465 mm.



SALES DESCRIPTION

Two sealing bars (465+465 mm.)
63 m³/h Busch vacuum pump.
Vacuum controlled by sensor.

- ✓ Powered by Busch.
- ✓ Vacuum controlled by sensor.
- ✓ Vacuum PLUS.
- ✓ LCD colour screen: all information at a glance.
- ✓ Backlit touch keyboard.
- ✓ Programmable: 25-programme memory. Blocking option.
- ✓ "Pause" button.
- ✓ Phased vacuum programme.
- ✓ Detection of the evaporation of liquids.
- ✓ Double seal.
- ✓ Cordless sealing bar.
- ✓ Progressive decompression.
- ✓ Vac-Norm ready with Automatic decompression.
- ✓ Stainless steel body and chamber.
- ✓ Damped transparent lid of high durability polycarbonate.
- ✓ Dry-oil programme for drying the pump.
- ✓ Working hours counter for oil changes.
- ✓ Safety system with protection against vacuum failure.
- ✓ NSF-listed.

INCLUDES

- ✓ BUSCH pump.
- ✓ Sensor Controls.
- ✓ 25 programmable settings.
- ✓ Vacuum PLUS: up to 10 seconds of extra vacuum pull.
- ✓ Soft air function.
- ✓ Clear methacrylate lid.
- ✓ "PAUSE" function.
- ✓ Liquid detection system.
- ✓ Dry oil cycle.
- ✓ NSF Approved.
- ✓ Filling plate.

OPTIONAL

- Inert gas
- Sealing plug
- Printer
- Bluetooth connectivity
- Vacuum packing bags
- External vacuum kit for Vac-Norm, containers and accessories
- Bag cutting kit
- Support for liquid packaging
- Additional filling plates

ACCESSORIES

- Bag cutting kits
- Filling plates
- Liquid insert plates
- Vac-norm external vacuum kits
- Vac-norm containers
- Smooth bags for vacuum packing
- Thermal labels for CG2 / RB printer
- RB Desktop printer for SU vacuum packing machines
- Thermal transfer labels for RB printer

SPECIFICATIONS

Pump capacity: 63 m³/h
 Pump capacity (60 Hz): 75 m³/h
 Bar length: 465 mm + 465 mm
 Total loading: 1500 W
 Vacuum pressure (maximum): 0.5 mbar

Plug: --
 Electrical connection: --

Internal dimensions

- ✓ Width: 672 mm
- ✓ Depth: 481 mm
- ✓ Height: 200 mm

External dimensions (WxDxH)

- ✓ Width: 740 mm
- ✓ Depth: 566 mm
- ✓ Height: 997 mm

Net weight: 159 Kg

Noise level (1m.): 75 dB(A)
 Background noise: 32 dB(A)

Crated dimensions

670 x 830 x 1200 mm
 Gross weight: 189 Kg

FOOD PRESERVATION AND SOUS-VIDE
VACUUM PACKING MACHINES - "SENSOR ULTRA" LINE

product sheet
updated 04/03/2022



SAMMIC, S.L.
Bassate, 1 - 20729 A22011A
www.sammic.com



VACUUM SEALER SU-606CC

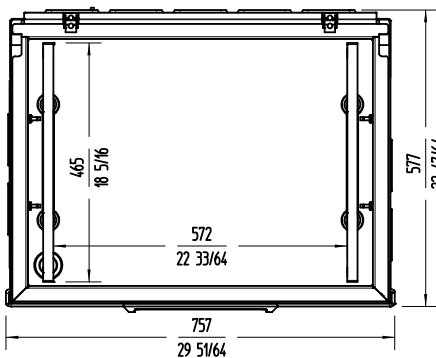
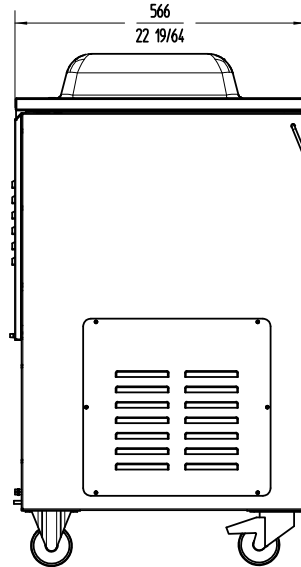
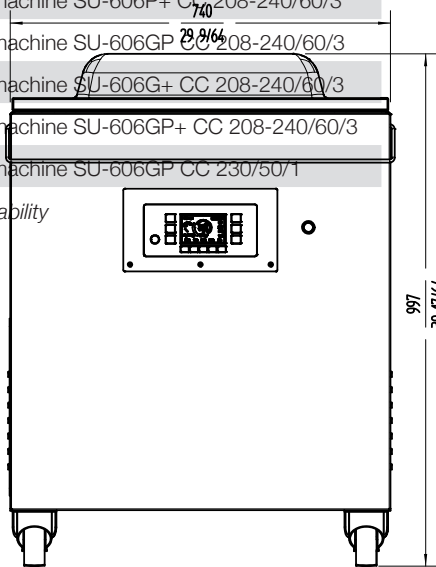
Floorstanding unit. 63 m³/h. 465+465 mm.



AVAILABLE MODELS

- 1140845 Vacuum packing machine SU-606 CC 230-400/50/3N
- 1140846 Vacuum packing machine SU-606 CC 230-400/50/3N -C-
- 1140847 Vacuum packing machine SU-606G CC 230-400/50/3N
- 1140848 Vacuum packing machine SU-606P CC 230-400/50/3N
- 1140849 Vacuum packing machine SU-606+ CC 230-400/50/3N
- 1140850 Vacuum packing machine SU-606P+ CC 230-400/50/3N
- 1140851 Vacuum packing machine SU-606GP CC 230-400/50/3N
- 1140852 Vacuum packing machine SU-606G+ CC 230-400/50/3N
- 1140853 Vacuum packing machine SU-606GP+ CC 230-400/50/3N
- 1140865 Vacuum packing machine SU-606 CC 208-240/60/3
- 1140866 Vacuum packing machine SU-606 CC 208-240/60/3 -C-
- 1140867 Vacuum packing machine SU-606G CC 208-240/60/3
- 1140868 Vacuum packing machine SU-606P CC 208-240/60/3
- 1140869 Vacuum packing machine SU-606+ CC 208-240/60/3
- 1140870 Vacuum packing machine SU-606P+ CC 208-240/60/3
- 1140871 Vacuum packing machine SU-606GP CC 208-240/60/3
- 1140872 Vacuum packing machine SU-606G+ CC 208-240/60/3
- 1140873 Vacuum packing machine SU-606GP+ CC 208-240/60/3
- 1140876 Vacuum packing machine SU-606GP CC 230/50/1

* Ask for special versions availability



FOOD PRESERVATION AND SOUS-VIDE
VACUUM PACKING MACHINES - "SENSOR ULTRA" LINE

sammic | www.sammic.com
Food Service Equipment Manufacturer

Polígono Basarte, 1. phone +34 943 15 72 36
 20720 Azkoitia, Spain sales@sammic.com



Project	Date
Item	Qty
Approved	

product sheet
updated 04/03/2022