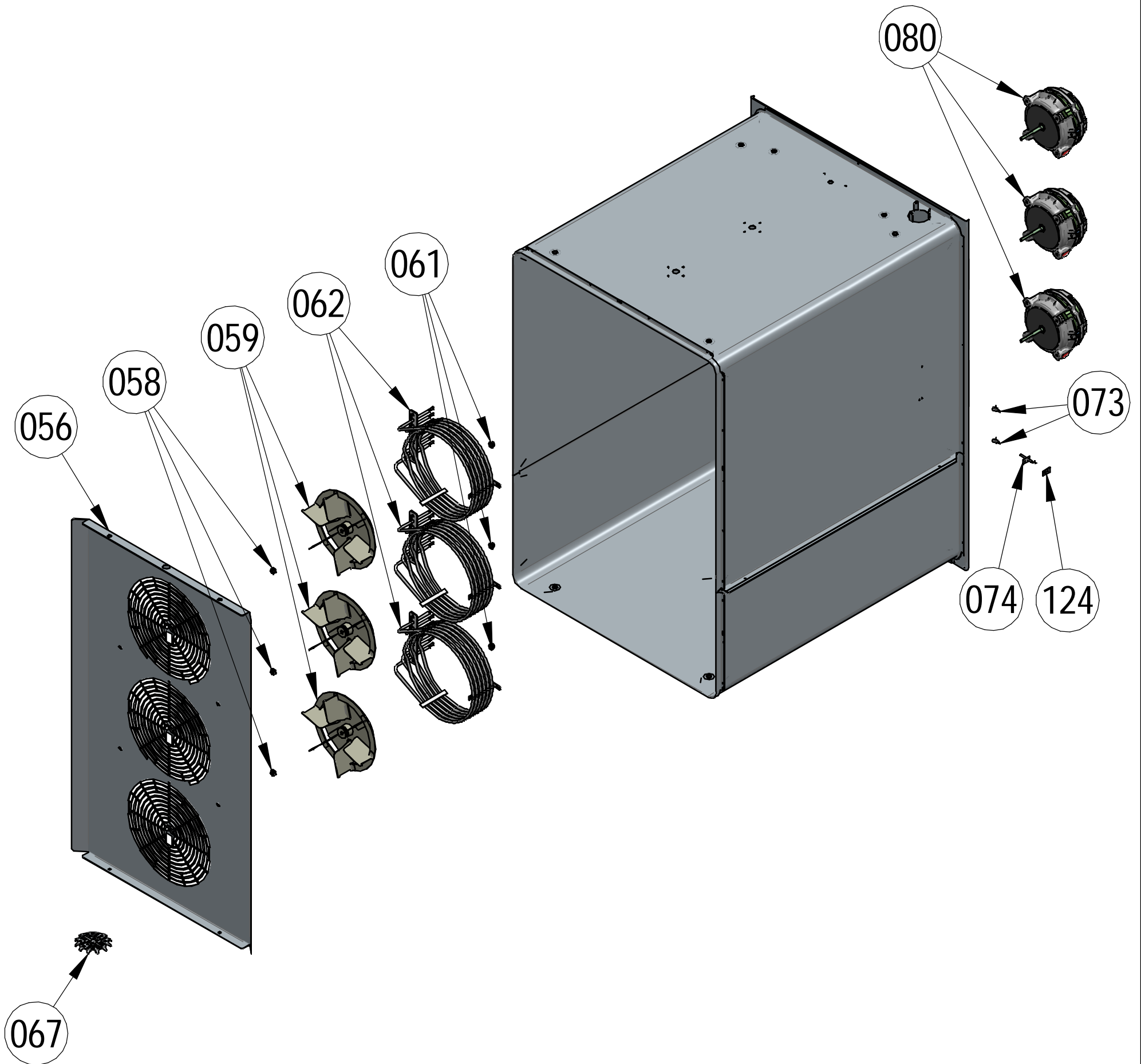


CHAMBER ASSEMBLY

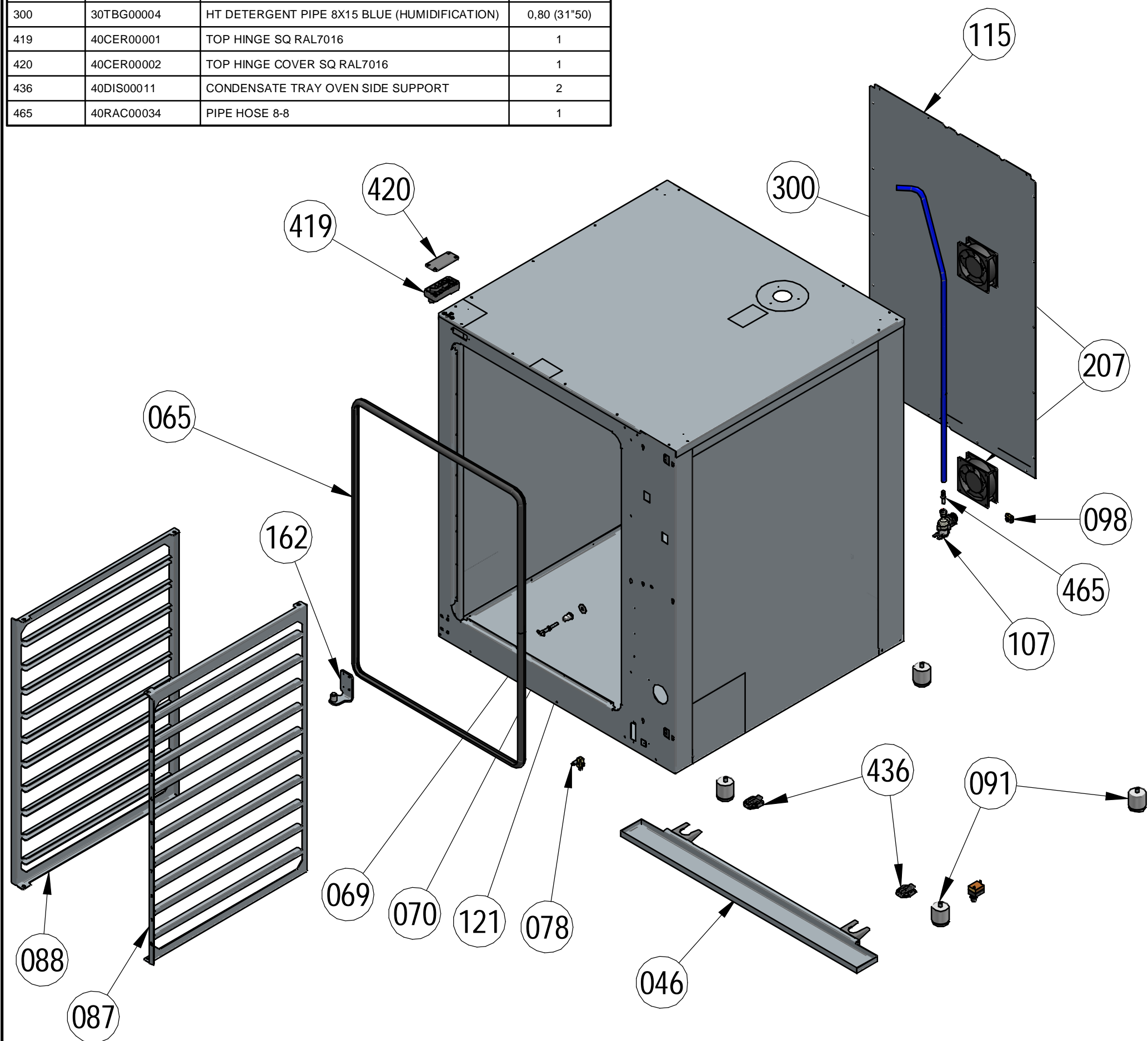
SPARE PART No	CODE	DESCRIPTION	Q.TY	NOTE
056	10DEF00126	DEFLECTOR SQ1021	1	
058	70DAD00019	NUT M 8 PREVAILING TORQUE NUT SS	3	
059	60VENAI013	FAN 200X61 AIRTEK 2.0	3	
061	040BOC00006	CRANKSHAFT BUSH	3	
062	20RES00042	HEATING ELEMENT 6.5KW 230V 6 COILS	3	
067	10PIA00339	WATER DRAIN COVER	1	
073	60MOLAI002	TERMHOSTAT BULB SPRING CLIP	2	mechanical version
074	020SON0001	TEMPERATURE PROBE	1	touch/digital version
080	020MOT0028	SINGLE SPEED MOTOR	2	
124	040GUA00007	CHAMBER PROBE FLANGE GASKET	1	touch/digital version

Apach
COOK *Line*



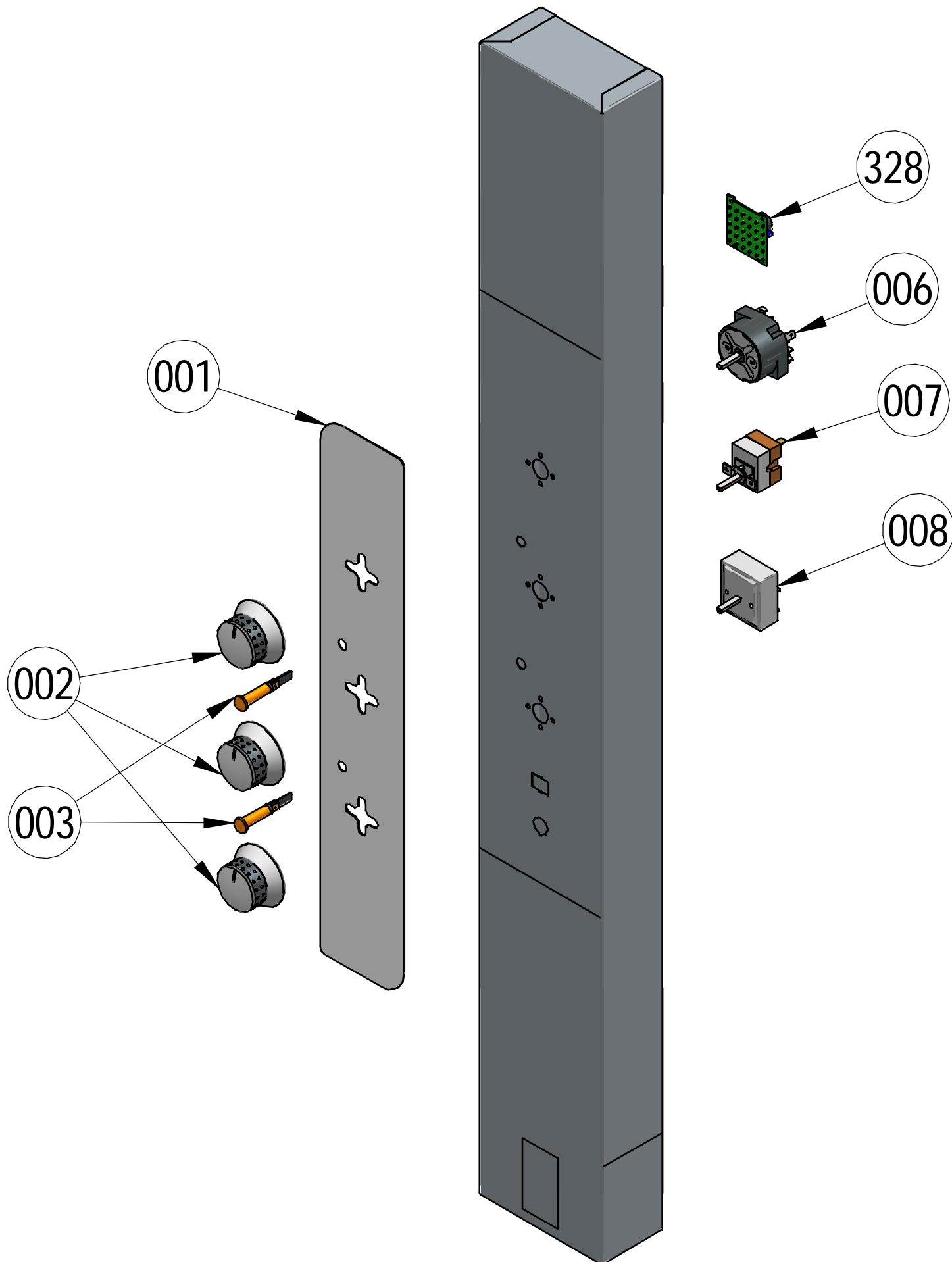
MECHANICAL OVEN BODY

SPARE PART No	CODE	DESCRIPTION	Q.TY
046	85VAS00057	ELE.SQ SOLDERED CONDENSER TRAY ASSY	1
065	040GUA00014	DOOR GASKET	3,3m (129"92)
069	60NASAI001	HANDLE STUD L70MM	1
070	60PERAI003	HANDLE PIVOT RCB-RCG	1
078	020PUL0002	NO/NC MICRO SWITCH	1
083	020TER0007	SAFETY THERMAL SWITCH 1 POLE	1
089	85GRI00274	LEFT SHEET GRID GA-BIV 10/85	1
090	85GRI00275	RIGHT GRID SHEET GA-BIV 10/85	1
091	50PIEIAI002	FEET H50 INOX ADJUSTABLE	4
098	020MOR0001	TERMINAL BLOCK BRIDGE 6-16 SQM	1
107	20ELE00019	SOLENOID VALVE 90° + RED FLOW LIMITER	1
115	10FIA00188	BACK SQ1021 MECHANIC	1
121	10PIAA10SAA013	DOOR LOCK PLATE	1
162	85CER00008	OVEN DOOR LOWER HINGE SQ-CP	1
207	020MOT0009	AXIAL MOTOR	2
300	30TBG00004	HT DETERGENT PIPE 8X15 BLUE (HUMIDIFICATION)	0,80 (31"50)
419	40CER00001	TOP HINGE SQ RAL7016	1
420	40CER00002	TOP HINGE COVER SQ RAL7016	1
436	40DIS00011	CONDENSATE TRAY OVEN SIDE SUPPORT	2
465	40RAC00034	PIPE HOSE 8-8	1



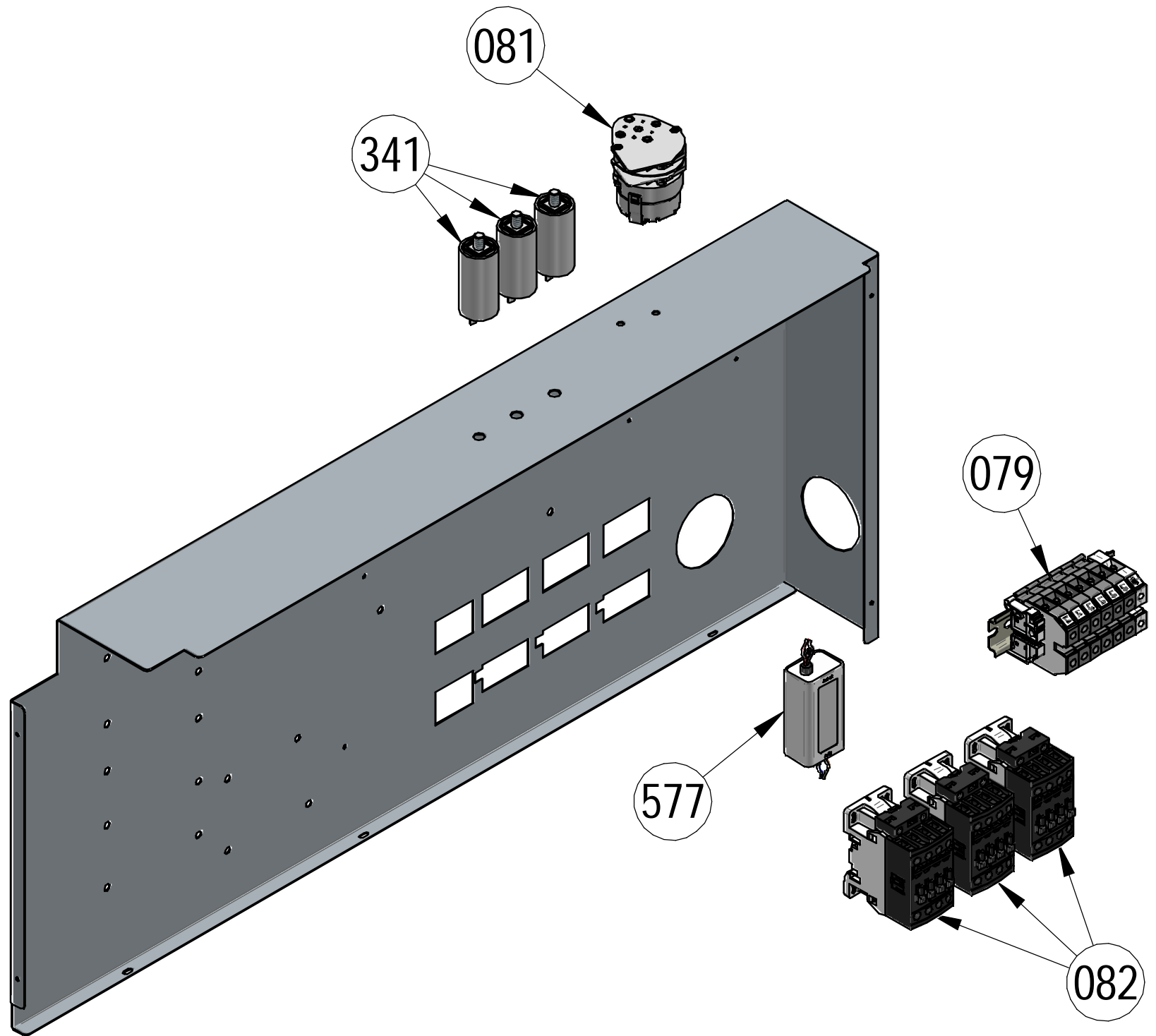
MECHANICAL DASHBOARD

SPARE PART No	CODE	DESCRIPTION	Q.TY	
001	***	FRONT LABEL DESIGN	1	communicate the serial number
002	***	KNOB	3	communicate the serial number
003	020LSP0004	DASHBOARD INDICATOR LAMP 230V ORANGE	2	
006	020TMR0002	TIMER LOGARITMIC FOR LIDO/GIUDECCA	1	
006	020TMR0001	LINEAR TIMER	1	
007	020TER0001	CHAMBER THERMOSTAT	1	
008	20REG00009	ENERGY REGULATOR COD. 5057021010	1	
328	020SCH0016	BUZZER ELECTRONIC BOARD	1	

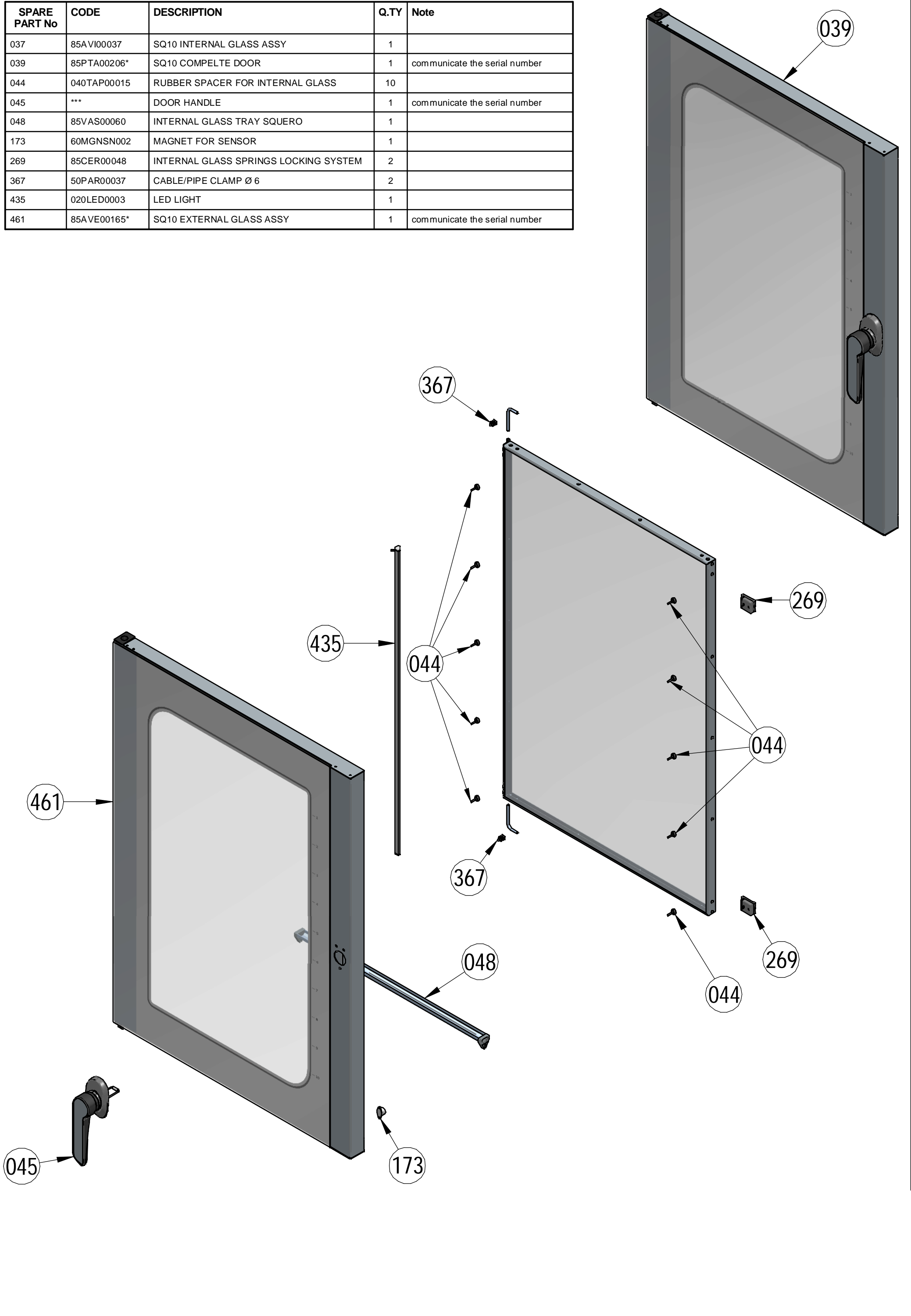


MECHANICAL WIRING BOX

SPARE PART No	CODE	DESCRIPTION	Q.TY
079	020MOR0007	TERMINAL BLOCK KLEMSAN AVK16 Z00236	1
081	020PRC0001	MOTOR DIRECTION TIMED SWITCH	1
082	020TEL0003	BRAKER 4POLES 230V 25A	3
341	020CND00001	CAPACITOR 6,3 μ F	3
577	20ALM00004	POWER SUPPLIER 220-120V 24V 50/60HZ UL	1

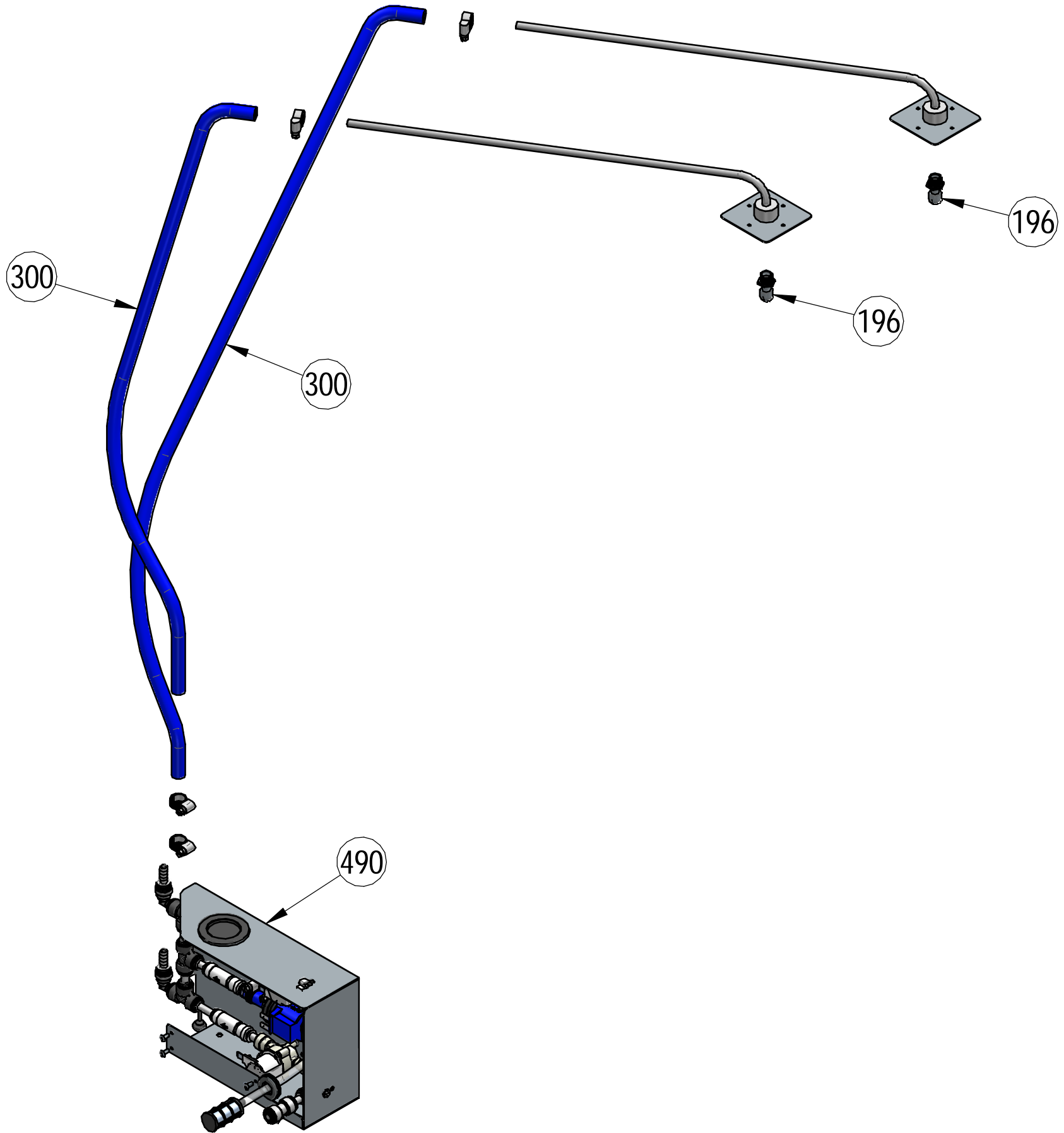


SPARE PART No	CODE	DESCRIPTION	Q.TY	Note
037	85AVI00037	SQ10 INTERNAL GLASS ASSY	1	
039	85PTA00206*	SQ10 COMPELTE DOOR	1	communicate the serial number
044	040TAP00015	RUBBER SPACER FOR INTERNAL GLASS	10	
045	***	DOOR HANDLE	1	communicate the serial number
048	85VAS00060	INTERNAL GLASS TRAY SQUERO	1	
173	60MGNSN002	MAGNET FOR SENSOR	1	
269	85CER00048	INTERNAL GLASS SPRINGS LOCKING SYSTEM	2	
367	50PAR00037	CABLE/PIPE CLAMP Ø 6	2	
435	020LED0003	LED LIGHT	1	
461	85AVE00165*	SQ10 EXTERNAL GLASS ASSY	1	communicate the serial number



WASHING SYSTEM

SPARE PART No	CODE	DESCRIPTION	Q.TY	NOTE
196	61UGE00002	WASHING ROTOR TR02Y02-441/330	2	
300	30TBG00004	HT DETERGENTE PIPE 8X15 BLUE	1,15m (45",28)	tube length for one washing nozzle
490	85LAV00027	WASHING ASSEMBLY WITH TWO IMPELLERS	1	



WASHING BOX

SPARE PART No	CODE	DESCRIPTION	Q.TY	NOTE
044	040TAP00015	RUBBER SPACER FOR INTERNAL GLASS	2	
099	040FSC005	BAND SPRING DN 10,1	1	
109	040RAC00002	PLASTIC CONNECTOR	1	
136	40FIL00004	DETERGENT FILTER	1	
185	020ELE0004	SELF CLEAN SOLENOID VALVE	2	
186	040RAC00005	CHECK VALVE IN/OUT JG 8mm 5/16SCV	3	
188	040RAC00003	Y JOINT 5/16	1	
191	50PAR00020	DETERGENT PUMP SILENT BLOCK	2	
194	30TUBP80007	PLASTIC PIPE 8X6	1m (39"37)	total length
195	20PMP00006	DETERGENT PUMP	1	
277	30TUBPVC003	PLASTIC WATER PIPE PVC 6X9	2m (78"74)	
285	040RAC00008	T SHAPED JUNCTION	3	
300	30TBG00004	HT DETERGENTE PIPE 8X15 BLUE	0,10m (3"94)	
442	40RAC00029	90° JOINT W/STRAIGHT PIPE 5/16MM	5	
465	40RAC00034	PIPE HOSE 8-8	3	

