

LIST OF THE EXPLODED VIEWS



SHELL ASSY

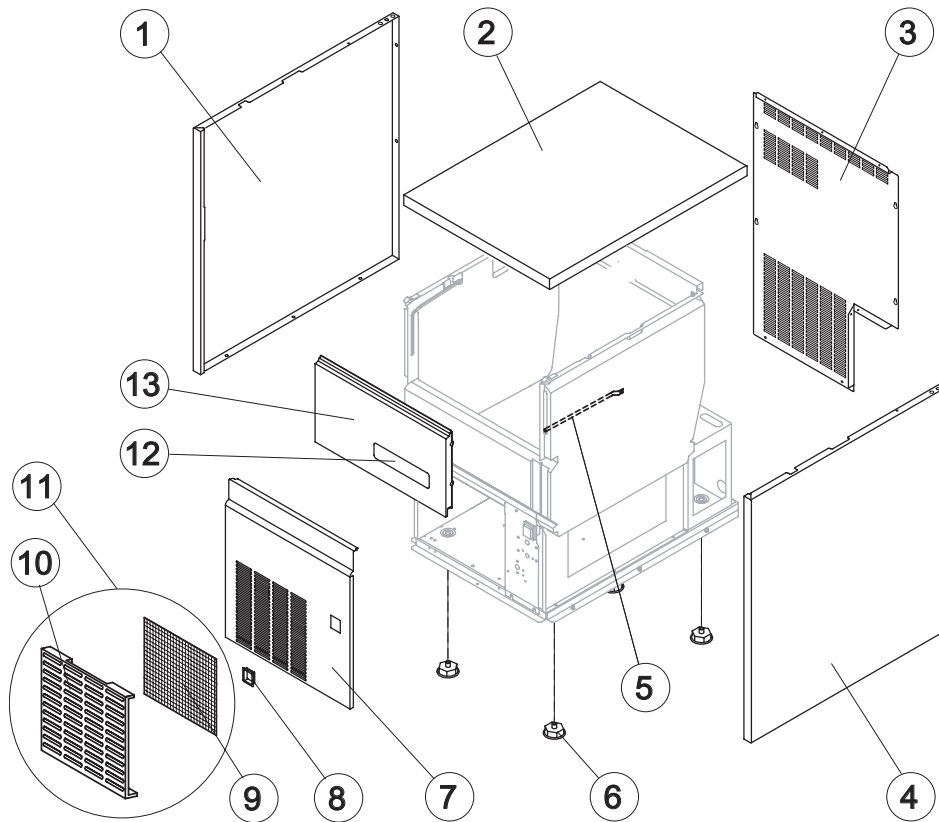
COOLING SYSTEM

EVAPORATOR

HYDRAULIC CIRCUIT

ELECTRIC PARTS

SHELL ASSY



Rev. 01 - 12/03/2019

Rif.	Descrizione Ricambio	Codice
1	Left Side Panel	C221525
2	Top Assembly	C221532
3	Rear Panel	21422
4	Right Side Panel	C221524
5	Bulbe-holder Pipe	20521
6	Foot	10557
7	Front Grid Panel	C221533
8	On-Off switch Frame	10696
9*	Filter	18243
10	Grid	10697
11	Grid Assembly	C10697
12	Resinated Logo	241330
13	Door Assy	C10718

COOLING SYSTEM

Common Parts

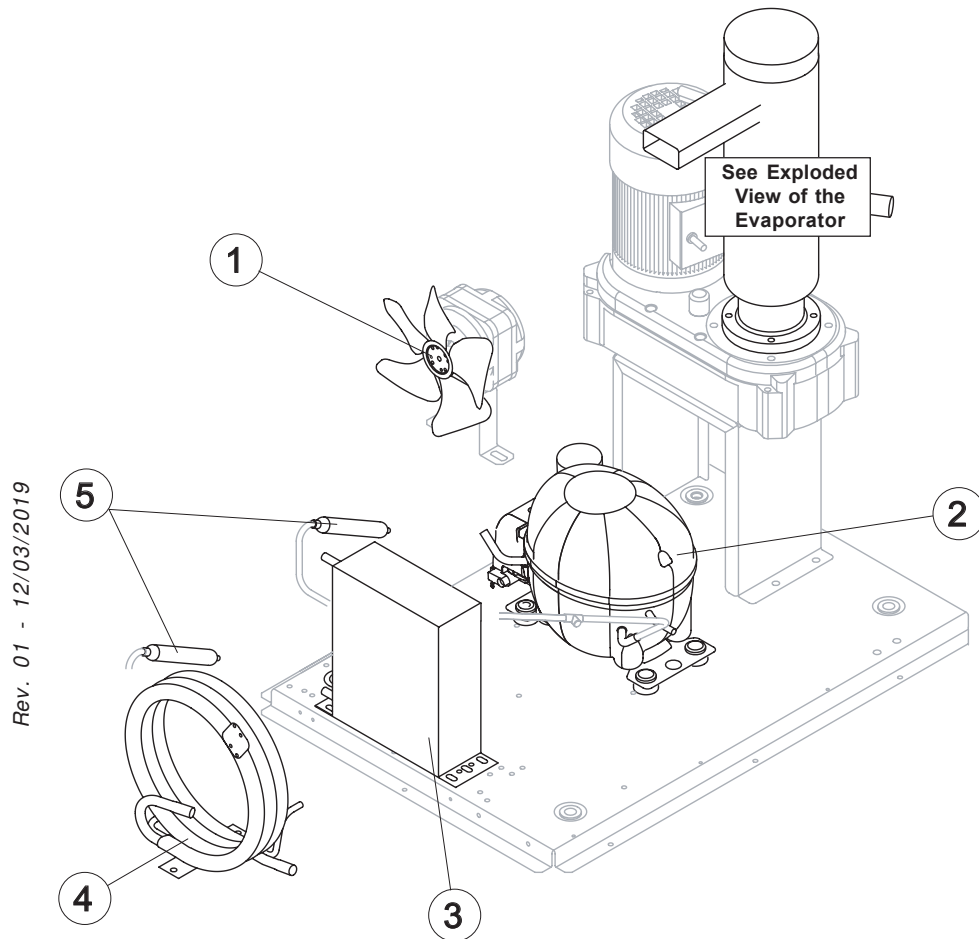
Ref.	Spare Description	Code
2	Compressor	231122
5*	Molecular Drier	14009

Parts for Air-Cooled Version Only

Ref.	Spare Description	Code
1	Sucking Fan	20096
3	Air Condenser	20534

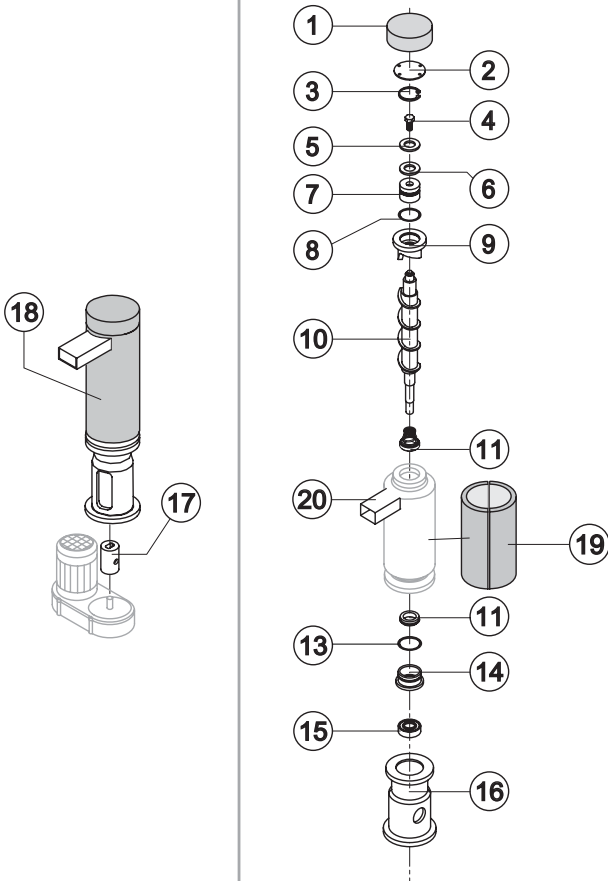
Parts for Water-Cooled Version Only

Ref.	Spare Description	Code
1	Sucking Fan	10213
4	Water Condenser	14057



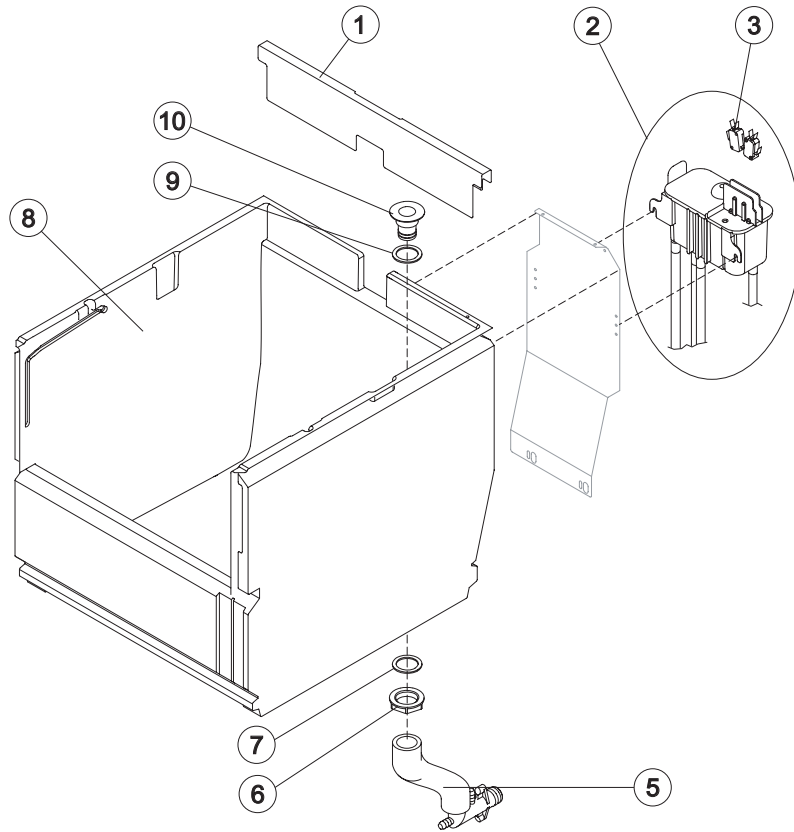
EVAPORATOR

Ref.	Spare Description	Code
1	Insulating Cap	18170
2	Closing Disk	22825
3	Seeger	20043
4	Stainless Steel Screw	20663
5	Shimming Disk	22826
6	Self-Lubricating Disk	20631
7	Stainless Steel Thrust Bearing	20686
8	OR Gasket 3087	20688
9	Ice Breaker	201236
10	Auger	201093
11	Ceramic Seal	20937
13	OR Gasket 3162 NBR70	20429
14	Reduction Ring	20785
15	Stainless Steel Bearing	20782
16	Flange	20629
17	Joint	D20784
18	Evaporator Assy	C11196
19	Insulating Cap	18268
20	ABS Ice exhaust assembly	From s/n. 829710 C10781



Rev. 01 - 12/03/2019

HYDRAULIC CIRCUIT



Common Parts

Ref.	Spare Description	Code
1	Cover for Ice Exhaust	221528
2*	Double Switch Basin Assembly	C10719
3	Microswitch	23055
6	Bin Discharge Nut	10096
7	Semirigid Polyethylene Gasket	13007
8	Foamed Cabinet Assy	C11200
9	Silicone Gasket	13219
10	Water Outlet Nipple	10007

Parts for Air-Cooled Version Only

Ref.	Spare Description	Code
5	Discharges Manifold	C10728

Parts for Water-Cooled Version Only

Ref.	Spare Description	Code
5	Discharges Manifold	C10729

ELECTRIC PARTS

Common Parts

Ref.	Spare Description	Code
1	Gearmotor	231030
2	Anti Radio Interference Filter	C23457
5	Low pressure safety switch	231124
7*	Fan cycle switch	231123
8*	Relay	23190
9*	Green Light Switch (On-Off)	23327
10	Anti Radio Interference Filter	C23459
11*	Bin Thermostat	R23005

Parts for Air-Cooled Version Only

Ref.	Spare Description	Code
4*	1 Way- Water Inlet Valve	23115
6	High pressure safety switch	231126
12*	Fan Motor	231041

Parts for Water-Cooled Version Only

Ref.	Spare Description	Code
3*	2 Ways- Water Inlet Valve	23116
12*	Fan Motor	23029
13*	Safety Thermostat	C23114

Rev. 01 - 12/03/2019

