

BXDF2100E

www.blackanddecker.eu

EN

FR

DE

IT

ES

PT

NL

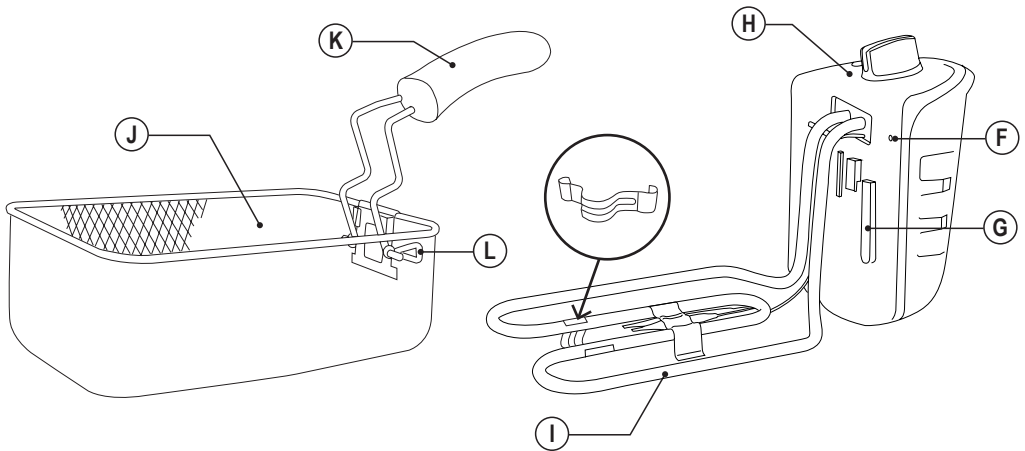
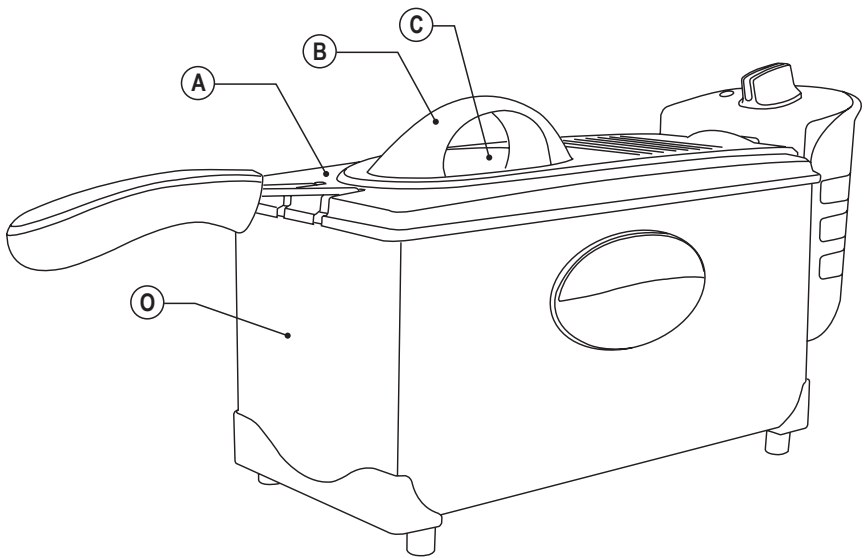
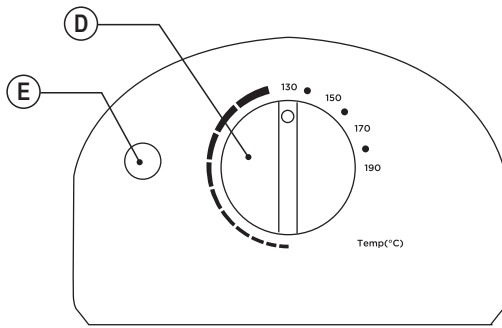
PL

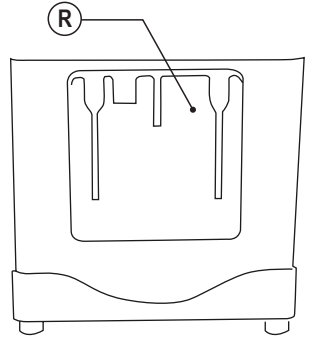
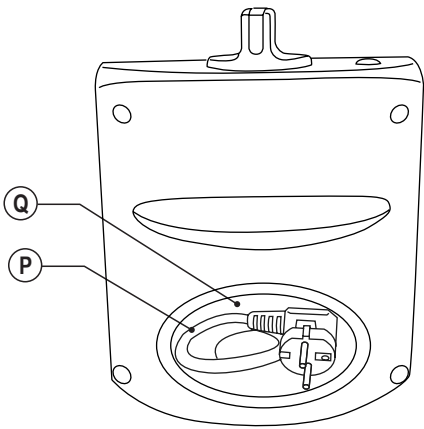
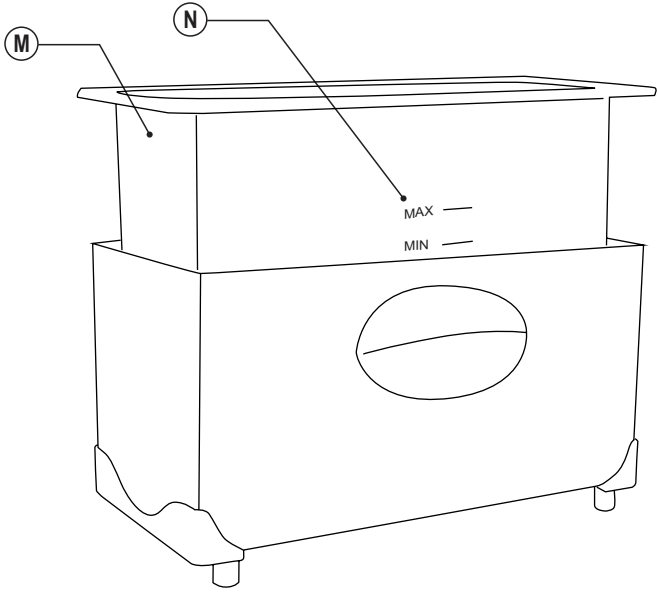
EL

RU

RO

BG





DEEP FRYER BXDF2100E

Dear customer,

Many thanks for choosing to purchase BLACK+DECKER-brand product.


Thanks to its technology, design and operation and the fact that it exceeds the strictest quality standards, a fully satisfactory use and long product life can be assured.

- ◆ Read these instructions carefully before switching on the appliance and keep them for future reference. Failure to follow and observe these instructions could lead to an accident.
- ◆ Clean all the parts of the product that will be in contact with food, as indicated in the cleaning section, before use.

SAFETY ADVICE AND WARNINGS

- ◆ This appliance is only for domestic use, not for industrial or professional use. It is not intended to be used by guests in hospitality environments such as bed and breakfast, hotels, motels, and other types of residential environments, even in farm houses, staff in shops, offices and other work environments.
- ◆ This appliance shall not be used by children aged less than 8 years.
- ◆ This appliance can be used by children aged from 8 years and above if they are continuously supervised.
- ◆ This appliance can be used by people with reduced physical, sensory or mental capabilities or lack of experience and knowledge if they have

been given supervision or instruction concerning use of the appliance in a safe way and understand the hazards involved.

- ◆ Keep the appliance and its cord out of reach of children aged less than 8 years.
- ◆ Cleaning and user maintenance shall not be made by children.
- ◆ This appliance is not a toy. Children should be supervised to ensure that they do not play with the appliance.
- ◆ Place the appliance on a horizontal, flat and stable surface with the handles, if any, positioned to avoid spillage of the hot liquids.
- ◆ Do not use the appliance in association with a programmer, timer or other device that automatically switches it on.
- ◆ If the connection to the mains has been damaged, it must be replaced, take the appliance to an authorised technical support service. Do not attempt to disassemble or repair the appliance by yourself in order to avoid a hazard.
- ◆  The temperature of the accessible surfaces may be high when the appliance is in use.
- ◆ Never submerge the appliance in water or any other liquid or place it

under running water.

- ◆ Ensure that the voltage indicated on the rating label matches the mains voltage before plugging in the appliance.
- ◆ Connect the appliance to a base with an earth socket withstanding a minimum of 10 amperes.
- ◆ The appliance's plug must fit into the mains socket properly. Do not alter the plug. Do not use plug adaptors.
- ◆ Do not force the power cord. Never use the power cord to lift up, carry or unplug the appliance.
- ◆ Do not wrap the power cord around the appliance.
- ◆ Do not clip or crease the power cord.
- ◆ Do not allow the power cord to come into contact with the appliance's hot surfaces.
- ◆ Do not allow the power cord to hang or to come into contact with the hot surfaces of the appliance.
- ◆ Check the state of the power cord. Damaged or tangled cables increase the risk of electric shock.
- ◆ As an additional protection to the electrical supply for the appliance, it is advisable to have a differential current device with a maximum sensitivity of 30 mA. Ask for advice from a competent installer.
- ◆ Do not touch the plug with wet hands.
- ◆ Do not use the appliance if the cable or plug is damaged.
- ◆ If any of the appliance casings breaks, immediately disconnect the appliance from the mains to prevent the possibility of an electric shock.
- ◆ Do not use the appliance if it has fallen on the floor, if there are visible signs of damage or if it has a leak
- ◆ Keep the working area clean and well lit. Cluttered and dark areas invite accidents.
- ◆ Use the appliance in a well-ventilated area.
- ◆ Do not place the appliance on hot surfaces, such as cooking plates, gas burners, ovens or similar.
- ◆ Do not place the appliance in an oven cavity or similar.
- ◆ Keep children and bystanders away when using this appliance.
- ◆ Place the appliance on a horizontal, flat, stable surface, suitable for withstanding high temperatures and away from other heat sources and contact with water.
- ◆ Keep the appliance away from flammable material such as textiles, cardboard or paper, etc.
- ◆ The appliance must be used and placed on a flat and stable surface. Never on cardboard, kitchen cloths or similar items, these can be a risk and can affect the correct functioning of the appliance.
- ◆ CAUTION: In order to prevent overheating do not cover the appliance.
- ◆ The appliance is not suitable for outdoor use.

- ◆ Supply cord should be regularly examined for signs of damage, and if the cord is damaged, the appliance must not be used.
- ◆ Do not use or store the appliance outdoors.
- ◆ Do not leave the appliance out in the rain or exposed to moisture. If water gets into the appliance, this will increase the risk of electric shock.
- ◆ CAUTION: Do not sleep while using this appliance, as there is risk you could be harmed.
- ◆ Do not use the appliance in the case of persons insensitive to heat (the appliance has heated surfaces).
- ◆ Do not touch the heated parts of the appliance, as it may cause serious burns.

Use and care:

- ◆ Fully extend the appliance's power cable before each use.
- ◆ Never connect the appliance without having first of all filled the oil bowl.
- ◆ Do not use the appliance if the on/off switch does not work.
- ◆ Do not move the appliance whilst in operation or if the oil is still hot. Once cooled, transport the appliance using the handles.
- ◆ Use the appliance handle/s, to carry it or move it.
- ◆ Do not use the appliance if it is tipped up and do not turn it over.
- ◆ Respect the MAX and MIN levels.
- ◆ Disconnect the appliance from the mains when not in use and before undertaking any cleaning task.
- ◆ Store this appliance out of reach of children and/or persons with reduced physical sensory or mental capabilities or lack of experience and knowledge.
- ◆ Do not store or transport the appliance if it is still hot.
- ◆ Never leave the appliance unattended when in use and keep out of the reach of children, as this is an electrical appliance that heats oil to high temperatures and may cause serious burns.
- ◆ Use only utensils appropriate to support high temperatures.
- ◆ CAUTION: User can't sleep when appliance is under use; there is a risk of injuries.
- ◆ If fat is used instead of oil, melt first in a separate recipient.
- ◆ If fat has hardened in the pan, make a few holes in the solid fat in order to allow the water, which has been retained in the fat to be released as steam when heated at the minimum thermostat temperature.
- ◆ If, for some reason, the oil was to catch fire, disconnect the appliance from the mains and smother the fire using

the lid, a cover or a large kitchen cloth. NEVER WITH WATER.

Service:

- ◆ Make sure that the appliance is serviced only by specialist personnel, and that only original spare parts or accessories are used to replace existing parts/accessories.
- ◆ CAUTION: There is a risk of fire if the appliance's cleaning is not done according to these instructions.
- ◆ Any misuse or failure to follow the instructions for use renders the guarantee and the manufacturer's liability null and void.

DESCRIPTION

- A Lid
- B Lid handle
- C Window
- D Temperature regulator thermostat
- E Indicator light
- F Reset button
- G Guide profiles
- H Control unit
- I Heating element
- J Basket
- K Basket handle
- L Basket support
- M Oil pan
- N Level indicators
- O Body
- P Electrical connection
- Q Electrical connection storage
- R Control unit bracket

INSTRUCTIONS FOR USE

Before use:

- ◆ Make sure that all the product's packaging has been removed.
- ◆ Before using the product for the first time, clean the parts that will come into contact with food in the manner described in the cleaning section.

Oil filling:

- ◆ Open the cover

- ◆ Ensure that the electrical equipment is appropriately positioned.
- ◆ Pour oil up to the mark indicating the MAXIMUM level on the bowl.
- ◆ The appliance must not be used with less oil than that indicated by the MINIMUM mark.

Use:

- ◆ Extend the cable completely before plugging it in.
- ◆ Connect the appliance to the mains.
- ◆ Remove the basket and assemble the handle, making it pivot until the rods enter their housing.
- ◆ Select the desired frying temperature using the thermostat control. The indicator light will turn red, indicating that the oil is being heated (close the lid to save energy).
- ◆ Prepare the food to be fried and place it in the basket, making sure that it does not rise above $\frac{3}{4}$ of its capacity. Allow the food to drain before placing it in the basket.
- ◆ Frozen food must be allowed for thaw beforehand. The placing of frozen food or food with high water content in the basket may cause the oil to suddenly spit after a few seconds.
- ◆ During the appliance's use the pilot light will come on and off automatically, indicating the heating elements are working, and therefore maintaining the desired temperature.
- ◆ Slowly place the basket in the bowl to avoid overflowing and splashing. Fry with the lid open or closed, as required.
- ◆ When the food has been fried sufficiently, lift the basket and position it in the support in order to allow the excess oil to drain from the food
- ◆ Empty the basket.
- ◆ Change the oil approximately every 15 or 20 frying operations, or every 1 – 2 months if not used frequently.
- ◆ In order to minimize the generation of acrylamide during the frying process, avoid to reach dark brown colours on the fried food, remove any burnt leftovers from the oil container, food rich in starch (such as potatoes or corns) should not be fried at temperatures higher to 170°C.

Once you have finished using the appliance:

- ◆ Select the minimum position (MIN) using the thermostat control.
- ◆ Unplug the appliance from the mains.
- ◆ Close the lid.
- ◆ Let the appliance cooldown.
- ◆ Clean the appliance.

Carry handle/s:

- ◆ This appliance has a handle on the side of the body, which facilitates comfortable transport

Practical recommendations:

- ◆ Fry a few pieces of bread to remove the smell of used oil.
- ◆ For food with a high-water content, it is better and quicker to fry in two lots with less food than in just one. This will reduce the risk of splashes and spillage.
- ◆ The "two-stage frying method" can be used for an even and crispy coating. This system consists of first frying the food until it is reasonably well done and then frying again using very hot oil to brown the food.
- ◆ Olive oil with a minimum acidity level is recommendable for frying.
- ◆ Do not mix different oils.
- ◆ Wash potatoes before frying to stop them from sticking

Safety thermal protector:

- ◆ In the event of overheating, the thermal safety mechanism will be activated and the appliance will stop operating. When this occurs, the appliance should be disconnected from the mains and left to cool. Then press the reset button (F), with the tip of a pen or similar in order to reactivate the appliance.

CLEANING

- ◆ Disconnect the appliance from the mains and allow it to cool before undertaking any cleaning task.
- ◆ Disassemble the appliance in accordance with the following steps:
 - ◆ Remove the basket and take out the electrical equipment.
 - ◆ Remove the bowl.
 - ◆ Carefully pour the used oil from the bowl into a container (not the sink), according to the regulations in force for the treatment and disposal of waste.
 - ◆ Except for the power unit and the mains connection, all the parts can be cleaned with detergent and water or in washing up liquid. Rinse thoroughly to remove all traces of detergent
 - ◆ Clean the electrical equipment and the mains connection with a damp cloth and dry. **DO NOT IMMERSE IN WATER OR ANY OTHER LIQUID.**
 - ◆ Clean the equipment with a damp cloth with a few drops of washing-up liquid and then dry.

- ◆ Do not use solvents, or products with an acid or base pH such as bleach, or abrasive products, for cleaning the appliance.
- ◆ It is advisable to clean the appliance regularly and remove any food remains.
- ◆ If the appliance is not in good condition of cleanliness, its surface may degrade and inexorably affect the duration of the appliance's useful life and could become unsafe to use.
- ◆ The following pieces may be washed in a dishwasher (using a soft cleaning program):
 - ◆ Basket
 - ◆ Lid
 - ◆ Oil pan
- ◆ The draining/drying position of the articles washable in the dishwasher or in the sink must allow the water to drain away easily.
- ◆ Then dry all parts before its assembly and storage.

Supplies

- ◆ Supplies can be acquired from distributors and authorised establishments (such as filters, etc.) for your appliance model.
- ◆ Always use original supplies, designed specifically for your appliance model.

ANOMALIES AND REPAIR

- ◆ Take the appliance to an authorised technical support service if product is damaged or other problems arise. Do not attempt to disassemble or repair the appliance yourself as this may be dangerous.

For EU product versions and/or in case that it is requested in your country:**Ecology and recyclability of the product**

- ◆ The materials of which the packaging of this appliance consists are included in a collection, classification and recycling system. Should you wish to dispose of them, use the appropriate public recycling bins for each type of material.
- ◆ The product does not contain concentrations of substances that could be considered harmful to the environment.
- ◆ This appliance contains, or could contain, oil. Remember that one should abide by the regulations concerning the elimination of this type of contaminant.



This symbol means that in case you wish to dispose of the product once its working life has ended, take it to an authorised waste agent for the selective collection of Waste from Electric and Electronic Equipment (WEEE).

This appliance complies with Directive 2014/35/EU on Low Voltage, Directive 2014/30/EU on Electromagnetic Compatibility, Directive 2011/65/EU on the restrictions of the use of certain hazardous substances in electrical and electronic equipment and Directive 2009/125/EC on the ecodesign requirements for energy-related products.

WARRANTY AND TECHNICAL ASSISTANCE

This product enjoys the recognition and protection of the legal guarantee in accordance with current legislation. To enforce your rights or interests you must go to any of our official technical assistance services.

You can find the closest one by accessing the following web link: <http://www.2helpu.com/>.

You can also request related information, by contacting us (see the last page of the manual).

You can download this instruction manual and its updates at <http://www.2helpu.com/>.

FRITEUSE BXDF2100E

Cher Client,

Nous vous remercions d'avoir acheté un appareil BLACK + DECKER. Sa technologie, son design et sa fonctionnalité, outre sa parfaite conformité aux normes de qualité les plus strictes, vous permettront d'en tirer une longue et durable satisfaction.

- ◆ Lire attentivement cette notice d'instructions avant de mettre l'appareil en marche, et la conserver pour la consulter ultérieurement. Le non-respect de ces instructions peut être source d'accident.

CONSEILS ET MESURES DE SÉCURITÉ

- ◆ Avant la première utilisation, laver les parties en contact avec les aliments comme indiqué à la section nettoyage.
- ◆ Cet appareil est uniquement destiné à un usage domestique et non à un usage professionnel ou industriel. Cet appareil a été exclusivement conçu dans le cadre d'un usage privé et non pas pour une utilisation professionnelle ou industrielle. Il n'a pas été conçu pour être utilisé par les clients d'établissements hôteliers tels que « bed and breakfasts », hôtels, motels et tout autre logement résidentiel, y compris les gîtes ruraux ou les aires de repos, ni espaces de cuisine destinés au personnel de magasins, bureaux et autres milieux de travail.
- ◆ Cet appareil ne doit pas être utilisé par les enfants de moins de 8 ans.
- ◆ Cet appareil peut être utilisé par des enfants de 8 ans et plus s'ils sont surveillés en permanence.
- ◆ Cet appareil peut être utilisé par des personnes ayant des capacités physiques, sensorielles ou mentales réduites ou dénuées d'expérience concernant son utilisation, à condition de le faire sous surveillance ou après avoir reçu les instructions nécessaires à un maniement sûr de l'appareil et en ayant compris les risques qu'il comporte.
- ◆ Conserver l'appareil hors de portée des enfants âgés de moins de 8 ans.
- ◆ Les enfants ne doivent pas réaliser les opérations de nettoyage ou de maintenance de l'appareil.
- ◆ Cet appareil n'est pas un jouet. Les enfants doivent être surveillés afin de s'assurer qu'ils ne jouent pas avec l'appareil.
- ◆ Placer l'appareil sur une surface horizontale, plane et stable avec les poignées, si elles existent, situées de manière à éviter les écoulements éventuels de liquides chauds.
- ◆ Ne pas utiliser l'appareil associé à un programmateur, minuteur ou autre dispositif connectant automa-

tiquement l'appareil.

- ◆ Si la prise du secteur est abîmée, elle doit être remplacée, l'emmener à un Service d'Assistance Technique agréé. Ne pas tenter de procéder aux réparations ou de démonter l'appareil; cela implique des risques.



- ◆ Quand l'appareil est mis en marche, la température des surfaces accessibles peut être élevée.

- ◆ Avant de raccorder l'appareil au secteur, s'assurer que le voltage indiqué sur la plaque signalétique correspond à celui du secteur.
- ◆ Raccorder l'appareil à une prise pourvue d'une fiche de terre et supportant au moins 10 ampères.
- ◆ La prise de courant de l'appareil doit coïncider avec la base de la prise de courant. Ne jamais modifier la prise de courant. Ne pas utiliser d'adaptateur de prise de courant.
- ◆ Ne pas forcer le câble électrique de connexion. Ne jamais utiliser le câble électrique pour lever, transporter ou débrancher l'appareil.
- ◆ Ne pas enrouler le câble électrique de connexion autour de l'appareil.
- ◆ Éviter que le câble électrique de connexion ne se coince ou ne s'emmêle.
- ◆ Ne pas laisser le câble électrique entrer en contact avec les surfaces chaudes de l'appareil.
- ◆ Ne pas laisser le câble de connexion suspendu à la table ou entrer en contact avec les surfaces chaudes de l'appareil.
- ◆ Vérifier l'état du câble électrique de connexion. Les câbles endommagés ou emmêlés augmentent le risque de décharge électrique.
- ◆ Il est recommandé, comme protection additionnelle de l'installation électrique qui alimente l'appareil, de disposer d'un dispositif de courant différentiel avec une sensibilité maximale de 30mA. En cas de doute, consultez un installateur agréé.
- ◆ Ne pas toucher la fiche de l'appareil avec les mains mouillées.
- ◆ Ne pas utiliser l'appareil si son câble électrique ou sa prise sont endommagés.
- ◆ Si une des enveloppes protectrices de l'appareil se

rompt, débrancher immédiatement l'appareil du secteur pour éviter tout choc électrique.

- ◆ Ne pas utiliser l'appareil s'il est tombé, s'il présente des signes visibles de dommages ou en présence de fuites.
- ◆ Veiller à maintenir votre espace de travail propre et bien éclairé. Les espaces encombrés et sombres sont propices aux accidents.
- ◆ Utiliser l'appareil dans une zone bien ventilée.
- ◆ Ne pas placer l'appareil sur des surfaces chaudes, plaques de cuisson, cuisinières à gaz, fours ou similaires.
- ◆ Ne pas placer votre appareil dans un four ou similaire.
- ◆ Tenir l'appareil hors de portée des enfants et des curieux.
- ◆ Placer l'appareil sur une surface horizontale, plane, stable et pouvant supporter des températures élevées, éloignée d'autres sources de chaleur et d'éventuelles éclaboussures d'eau.
- ◆ Veiller à éloigner l'appareil de tout matériel combustible, tels que carton, papier, matières textiles...
- ◆ L'appareil doit être utilisé et placé sur une surface plane et stable. Jamais sur du carton, des torchons ou des objets similaires, car ceux-ci peuvent présenter un risque et affecter le bon fonctionnement de l'appareil.
- ◆ **AVERTISSEMENT** : Afin d'éviter une surchauffe, ne pas couvrir l'appareil.
- ◆ Cet appareil n'est pas adapté à un usage extérieur.
- ◆ Le câble d'alimentation doit être examiné régulièrement à la recherche de signes de détérioration ; s'il est endommagé, l'appareil ne doit pas être utilisé.
- ◆ Ne pas exposer l'appareil aux intempéries.
- ◆ Ne pas exposer l'appareil à la pluie ou à un environnement humide. L'eau qui entre dans l'appareil augmente le risque de décharge électrique.
- ◆ **AVERTISSEMENT** : Ne pas s'endormir pendant que vous utilisez l'appareil, vu qu'il existe un risque de blessures.
- ◆ Les personnes insensibles à la chaleur doivent éviter d'utiliser cet appareil (puisque celui-ci présente des surfaces chauffantes).
- ◆ Éviter de toucher les parties chauffantes de l'appareil en raison du risque de brûlure.

Utilisation et entretien :

- ◆ Avant chaque utilisation, dérouler complètement le câble électrique de l'appareil.
- ◆ Ne brancher aucun appareil sans avoir rempli au préalable la cuve d'huile.
- ◆ Ne pas utiliser l'appareil si son dispositif de mise en marche/arrêt ne fonctionne pas.

- ◆ Ne jamais transporter la friteuse quand elle est en marche ou quand l'huile est encore chaude. Quand la friteuse est refroidie, transportez-la à l'aide des poignées.
- ◆ Utiliser les poignées pour prendre ou transporter l'appareil.
- ◆ Ne pas retourner l'appareil quand il est en cours d'utilisation ou branché au secteur.
- ◆ Respecter les niveaux MAXIMUM ET MINIMUM.
- ◆ Débrancher l'appareil du secteur quand il n'est pas utilisé et avant de procéder à toute opération de nettoyage.
- ◆ Conserver cet appareil hors de portée des enfants ou des personnes avec capacités physiques, sensorielles ou mentales réduites ou présentant un manque d'expérience et de connaissances
- ◆ Ne pas transporter l'appareil s'il est encore chaud.
- ◆ Ne jamais laisser l'appareil fonctionner sans surveillance, ni à la portée des enfants, étant donné qu'il s'agit d'un appareil électrique qui chauffe de l'huile à de hautes températures et qu'il peut entraîner de graves brûlures.
- ◆ Utiliser uniquement des ustensiles conçus pour supporter des températures élevées.
- ◆ **AVERTISSEMENT** : Ne pas s'endormir pendant que vous utilisez l'appareil, vu qu'il existe un risque de blessures.
- ◆ Si l'on utilise de la graisse au lieu d'huile, il faut la faire fondre au préalable dans un récipient à part.
- ◆ Si la graisse a durci dans la friteuse, faire quelques trous dans la graisse solide afin de permettre que l'eau qui a pu être retenue dans la graisse, s'évacue sous forme de vapeur en réchauffant la graisse à température minimum de thermostat.
- ◆ Si, pour quelque cause que ce soit, l'huile prend feu, il faut débrancher la friteuse du réseau électrique et étouffer le feu avec le couvercle, une couverture ou avec un grand torchon de cuisine. **NE JAMAIS ESSAYER DE L'ÉTEINDRE AVEC DE L'EAU.**

Service :

- ◆ Assurez-vous que le service de maintenance de l'appareil est réalisé par du personnel spécialisé, et que dans le cas où vous auriez besoin de pièces de rechange, celles-ci soient originales.
- ◆ **AVERTISSEMENT** : Si l'appareil ne se nettoie pas conformément au mode d'emploi, il pourrait exister un risque d'incendie.
- ◆ Toute utilisation inappropriée ou non conforme aux instructions d'utilisation annule la garantie et la responsabilité du fabricant.

DESCRIPTION

- A Couvercle
- B Poignée Couvercle
- C Fenêtre
- D Thermostat régulateur de température
- E Voyant lumineux
- F Bouton de réarmement
- G Profils de guides
- H Unité de contrôle
- I Élément de chauffage
- J Panier
- K Poignée de panier
- L Appui pour le panier
- M Cuve à huile
- N Indicateur de niveau
- O Corps
- P Câble de connexion
- Q Compartiment pour le câble de connexion
- R Support unité de contrôlé

MODE D'EMPLOI

Remarques avant utilisation :

- ◆ S'assurer d'avoir retiré tout le matériel d'emballage du produit.
- ◆ Avant la première utilisation, laver le panier et la cuve à l'eau et au détergent, bien rincer afin d'éliminer les restes de détergent et ensuite, sécher.

Remplissage d'huile :

- ◆ Ouvrir le couvercle.
- ◆ Veuillez vous assurer que l'ensemble électrique soit parfaitement installé et stable.
- ◆ Verser de l'huile dans la cuve jusqu'à la marque qui indique le niveau MAXIMUM.
- ◆ L'appareil ne doit pas fonctionner avec un niveau d'huile en dessous de la marque MINIMUM.

Utilisation :

- ◆ Dérouler complètement le câble avant de le brancher.
- ◆ Brancher l'appareil au réseau électrique.
- ◆ Sortir le panier et fixer le manche en le faisant pivoter jusqu'à ce que les tiges entrent dans leur logement.
- ◆ Sélectionner la température de friture désirée avec le thermostat. Le voyant lumineux passe au rouge, indi-

quant que l'huile est en train de chauffer (en refermant avec le couvercle, on économise de l'énergie).

- ◆ Préparer les aliments à frire et placer les dans le panier en essayant de ne pas dépasser les 2/3 de sa capacité. Laisser égoutter les aliments avant de les plonger dans la cuve.
- ◆ Si les aliments sont congelés, remplir la cuve à huile à moitié et mettre lentement les aliments dans l'huile. NOTE : les aliments congelés ou ayant une teneur élevée en eau déposés dans la cuve peuvent provoquer des projections d'huile vers l'extérieur quelques secondes après avoir été immergés.
- ◆ Lorsque l'appareil sera en marche, le voyant lumineux s'allumera et s'éteindra automatiquement, en indiquant ainsi le bon fonctionnement des parties chauffantes pour maintenir la température désirée.
- ◆ Introduire lentement le panier dans le récipient afin d'éviter tout débordement ou projection. Selon le critère, frire avec le couvercle ouvert ou fermé.
- ◆ Quand la cuisson est suffisante, soulever le panier et laisser le pendre au bord du récipient pour permettre d'égoutter l'excès d'huile imprégnant les aliments.
- ◆ Vider le panier.
- ◆ Changer l'huile après 15 ou 20 fritures environ ou tous les 1-2 mois si vous ne l'utilisez pas régulièrement.
- ◆ Pour diminuer la formation d'acrylamide pendant le processus de friture, éviter que les aliments acquièrent une couleur marron foncé, retirer les restes d'aliments brûlés du bac à huile, et pour les aliments riches en amidon (comme par exemple les pommes de terre et les céréales) veiller à utiliser des températures inférieures à 170°C.

Après utilisation de l'appareil :

- ◆ Mettre le thermostat sur la position minimum (MIN).
- ◆ Débrancher l'appareil de la prise secteur.
- ◆ Fermer le couvercle.
- ◆ Laisser l'appareil refroidir complètement.
- ◆ Nettoyer l'appareil.

Poignée de Transport :

- ◆ Cet appareil dispose de poignées latérales pour faciliter son transport en toute commodité.

Conseils pratiques :

- ◆ Pour désodoriser l'huile, il est possible de faire frire des morceaux de pain.
- ◆ Il vaut mieux faire frire en deux fois les aliments qui contiennent beaucoup d'eau: le résultat est plus économi-

que et plus rapide. Ceci évite le risque d'éclaboussures et de débordements.

- ◆ Pour obtenir une friture uniforme et craquante, on peut utiliser la méthode de «friture en deux temps». Ce système consiste à réaliser une première friture jusqu'à ce que les aliments soient cuits et ensuite une autre pour les faire dorer, ceci à l'huile très chaude.
- ◆ Il est conseillé d'utiliser une huile d'olive faiblement acide.
- ◆ Ne pas mélanger des huiles de qualités différentes.
- ◆ Pour éviter que les pommes de terre ne collent, il est recommandé de les laver avant de les frire.

Sécurité thermique :

- ◆ En cas de surchauffe, un dispositif de sécurité thermique se déclenche et l'appareil s'arrêtera automatiquement. Dans ce cas, vous devrez débrancher l'appareil du réseau électrique et le laisser refroidir. Ci-après, appuyer sur le bouton réarmement situé sur la partie postérieure de l'ensemble électrique, avec la pointe d'un stylo ou similaire pour que l'appareil puisse se remettre à fonctionner normalement.

NETTOYAGE

- ◆ Débrancher l'appareil du secteur et attendre son refroidissement complet avant de le nettoyer.
- ◆ Démontez l'appareil en suivant les pas décrits ci-dessous :
- ◆ Placer le couvercle en position verticale et tirer vers le haut pour le démonter.
- ◆ Sortir le panier et extraire le dispositif électrique.
- ◆ Retirer la cuve.
- ◆ Verser doucement l'huile usagée de la cuve dans un récipient (et pas dans l'évier), selon la réglementation en vigueur de traitement et d'élimination des déchets.
- ◆ Tourner le corps de la friteuse et le débrancher de la prise secteur en appuyant sur le clip et en tirant. Retirer le cordon d'alimentation de son logement et retirer l'ensemble de la friteuse.
- ◆ Nettoyer l'appareil électrique et son connecteur avec un chiffon humide et bien les sécher ensuite. NE JAMAIS IMMÉRGER L'APPAREIL NI LE CONNECTEUR DANS L'EAU NI AUCUN AUTRE LIQUIDE.
- ◆ Nettoyer l'appareil avec un chiffon humide imprégné de quelques gouttes de détergent et le laisser sécher.
- ◆ Ne pas utiliser de solvants ni de produits au pH acide ou basique tels qu'eau de Javel, ni de produits abrasifs pour nettoyer l'appareil.
- ◆ Retirer les filtres. Les laver avec de l'eau chaude savon-

neuse ou au lave-vaisselle. Les replacer sur l'appareil.

- ◆ Il est recommandé de nettoyer l'appareil régulièrement et de retirer tous les restes d'aliments.
- ◆ Si l'appareil n'est pas maintenu dans un bon état de propreté, sa surface peut se dégrader et affecter de façon inexorable la durée de vie de l'appareil et le rendre dangereux.
- ◆ Les pièces ci-dessous peuvent se laver à l'eau chaude savonneuse ou au lave-vaisselle (en mode délicat) :
- ◆ Panier
- ◆ Couvercle
- ◆ Cuve
- ◆ Veiller à bien placer les pièces dans le lave-vaisselle ou sur l'égouttoir de l'évier pour qu'elles puissent s'égoutter et se sécher correctement.
- ◆ Avant son montage et stockage, veiller à bien sécher toutes les pièces.

Accessoires

- ◆ S'adresser aux distributeurs et établissements autorisés pour acheter les accessoires (par exemple, les filtres, etc.).
- ◆ Utiliser toujours des accessoires originaux, spécifiquement créés pour votre modèle d'appareil.

ANOMALIES ET RÉPARATION

- ◆ En cas de panne, remettre l'appareil à un service d'assistance technique agréé. Il est dangereux de tenter de procéder aux réparations ou de démonter l'appareil soi-même.

Pour les versions UE du produit et/ou en fonction de la législation du pays d'installation :

Écologie et recyclage de l'appareil

- ◆ Les matériaux constituant l'emballage de cet appareil font partie d'un programme de collecte, de tri et de recyclage. Pour vous débarrasser du produit, merci de bien vouloir utiliser les conteneurs publics appropriés à chaque type de matériau.
- ◆ Le produit ne contient pas de substances concentrées susceptibles d'être considérées comme nuisibles à l'environnement.
- ◆ Cet appareil contient ou peut contenir de l'huile. N'oubliez pas qu'il faut respecter les réglementations relatives à l'élimination de ce type de polluant.



Ce symbole signifie que si vous souhaitez vous débarrasser de l'appareil, en fin de vie utile, celui-ci devra être déposé, en prenant les mesures adaptées, à un centre agréé pour la collecte et le tri des déchets d'équipements électriques et électroniques (DEEE)

Cet appareil est certifié conforme à la directive 2014/35/EU de basse tension, de même qu'à la directive 2014/30/EU en matière de compatibilité électromagnétique, à la directive 2011/65/EU relative à la limitation de l'utilisation de certaines substances dangereuses dans les équipements électriques et électroniques et à la directive 2009/125/EC sur les conditions de conception écologique applicable aux produits en rapport avec l'énergie.

GARANTIE ET ASSISTANCE TECHNIQUE

Ce produit est reconnu et protégé par la garantie établie conformément à la législation en vigueur. Pour faire valoir vos droits ou intérêts, vous devrez vous adresser à l'un de nos services d'assistance technique agréés.

Pour savoir lequel est le plus proche, vous pouvez accéder au lien suivant : <http://www.2helpu.com/>. Vous pouvez aussi nous contacter pour toute information (veuillez consulter la dernière page du manuel).

Vous pouvez télécharger ce manuel d'instructions et ses mises à jour sur <http://www.2helpu.com/>

FRITTEUSE BXDF2100E

Sehr geehrte Kunden,

Wir danken Ihnen für Ihre Entscheidung, ein BLACK+DECKER Gerät zu kaufen. Die Technologie, das Design und die Funktionalität dieses Produkts, das die anspruchsvollsten Qualitätsnormen erfüllt, werden Sie über viele Jahre zufriedenstellen.

- ◆ Lesen Sie die Gebrauchsanweisung sorgfältig, bevor Sie das Gerät einschalten und bewahren Sie diese zum Nachschlagen zu einem späteren Zeitpunkt auf. Werden die Hinweise dieser Bedienungsanleitung nicht beachtet und eingehalten, kann es zu Unfällen kommen.

RATSchLÄGE UND SICHERHEITSHINWEISE

- ◆ Vor der Erstanwendung müssen die Einzelteile, die mit Nahrungsmitteln in Kontakt geraten, so wie im Absatz Reinigung beschrieben, gereinigt werden.
- ◆ Dieses Gerät ist ausschließlich für den häuslichen Gebrauch ausgelegt und ist für professionelle oder gewerbliche Zwecke nicht geeignet. Dieses Gerät ist nur für den Hausgebrauch und nicht für gewerbliche oder industrielle Zwecke vorgesehen. Dieses Gerät ist nicht für Gäste von Gasthäusern wie Bed and Breakfast, Hotels, Motels oder von sonstigen Beherbergungsbetrieben sowie nicht für Landferienhäuser oder Personalräumen von Geschäften, Büros oder sonstigen Arbeitsstätten konzipiert worden.
- ◆ Dieses Gerät darf von Kindern unter 8 Jahren nicht benutzt werden.
- ◆ Dieses Gerät darf von Kindern über 8 Jahren nur benutzt werden, wenn sie dabei unter ständiger Aufsicht sind.
- ◆ Dieses Gerät ist nicht geeignet für die Verwendung durch Personen mit eingeschränkter Wahrnehmung oder verminderten physischen oder geistigen Fähigkeiten oder einem Mangel an Erfahrung und Kenntnissen, sofern sie nicht durch eine für ihre Sicherheit verantwortliche Person beaufsichtigt oder bei der Bedienung angeleitet werden und die möglichen Gefahren verstehen.
- ◆ Das Gerät und sein Netzanschluss dürfen nicht in die Hände von Kindern unter 8 Jahren kommen.
- ◆ Kinder dürfen keine Reinigungs- oder Instandhaltungsarbeiten am Gerät ausführen, sofern sie nicht von einem Erwachsenen beaufsichtigt werden.
- ◆ Dieses Gerät ist kein Spielzeug. Kinder müssen beaufsichtigt werden, damit sie nicht mit dem Gerät spielen.
- ◆ Stellen Sie das Gerät auf eine horizontale, ebene und stabile Fläche. Dabei die Griffe (falls vorhanden) so platzieren, dass ein eventuelles Überlaufen heißer Flüssigkeiten ver-

mieden wird.

- ◆ Dieses Gerät nicht über einen Programmschalter, eine externe Zeitschaltuhr oder eine sonstige Vorrichtung zum automatischen Einschalten betreiben.
- ◆ Wenn der Netzstecker beschädigt ist, muss er ausgetauscht werden. Bringen Sie das Gerät zu diesem Zweck zu einem zugelassenen Kundendienst. Um jegliche Gefahr auszuschließen, versuchen Sie nicht selbst, den Stecker abzumontieren und zu reparieren.



Die zugänglichen Oberflächen können sehr heiß werden, während das Gerät in Betrieb ist.

- ◆ Vergewissern Sie sich, dass die Spannung auf dem Typenschild mit der Netzspannung übereinstimmt, bevor Sie den Apparat an das Stromnetz anschließen.
- ◆ Das Gerät an einen Stromanschluss anschließen, der mindestens 10 Ampere liefert.
- ◆ Der Stecker des Geräts muss mit dem Steckdosentyp des Stromanschlusses übereinstimmen. Der Gerätestecker darf unter keinen Umständen modifiziert werden. Keine Adapter für den Stecker verwenden.
- ◆ Nicht mit Gewalt am elektrischen Anschlusskabel ziehen. Benutzen Sie das elektrische Kabel nicht zum Anheben oder Transportieren des Geräts. Den Stecker nicht am Kabel aus der Dose ziehen.
- ◆ Kabel nicht um das Gerät rollen.
- ◆ Achten Sie darauf, dass das elektrische Kabel nicht getreten oder zerknittert wird.
- ◆ Achten Sie darauf, dass das elektrische Verbindungskabel nicht mit heißen Teilen des Geräts in Kontakt kommt.
- ◆ Achten Sie darauf, dass das elektrische Verbindungskabel nicht mit heißen Teilen des Geräts in Kontakt kommt.
- ◆ Überprüfen Sie den Zustand des elektrischen Verbindungskabels. Beschädigte oder verwickelte Kabel erhöhen das Risiko von elektrischen Schlägen.
- ◆ Es empfiehlt sich, durch den Einbau einer Differenzstrom-Schutzeinrichtung mit einem Nennauslösestrom von nicht mehr als 30mA einen zusätzlichen Schutz an der Elektroinstallation, die das Gerät versorgt, anzubringen. Lassen Sie sich von Ihrem Elektroinstallateur beraten.
- ◆ Berühren Sie den Stecker nicht mit feuchten Händen.
- ◆ Das Gerät darf nicht mit beschädigtem elektrischem Kabel oder Stecker verwendet werden.
- ◆ Sollte ein Teil der Geräteverkleidung beschädigt sein, ist die Stromzufuhr umgehend zu unterbrechen, um einen möglichen elektrischen Schlag zu vermeiden.
- ◆ Das Gerät nicht benutzen, wenn es heruntergefallen ist, sichtbare Schäden aufweist oder undicht ist.
- ◆ Der Arbeitsplatz soll sauber und gut beleuchtet sein. In unordentlichen und dunklen Zonen kann es zu Unfällen kommen.
- ◆ Dieses Gerät ist nicht für den Gebrauch im Außenbereich geeignet.
- ◆ Das Gerät nicht auf heiße Oberflächen sowie Kochplatten, Gasbrenner, Ofen oder Ähnliches stellen.
- ◆ Stellen Sie das Gerät nicht in einen Backofen oder Ähnliches.
- ◆ Das Gerät von Kindern und Neugierigen fern halten, solange Sie es verwenden.
- ◆ Stellen Sie das Gerät auf eine ebene und stabile, für hohe Temperaturen geeignete Oberfläche, außer Reichweite von Hitzequellen und möglichen Wasserspritzern.
- ◆ Stellen Sie bitte das Gerät in ausreichender Entfernung von brennbaren Stoffen wie zum Beispiel Textilien, Pappe, Papier und so weiter auf.
- ◆ Das Gerät muss auf einer ebenen und standfesten Oberfläche aufgestellt und benutzt werden. Stellen Sie das Gerät niemals auf Pappe, Küchentücher oder ähnliche Gegenstände, da diese eine Gefahr darstellen und die einwandfreie Funktion des Geräts beeinträchtigen können.
- ◆ **WARNUNG** Um eine Überhitzung zu vermeiden, nicht das Gerät verdecken.
- ◆ Dieses Gerät ist nicht für den Gebrauch im Außenbereich geeignet.
- ◆ Das Netzkabel ist regelmäßig auf Schäden zu prüfen. Bei beschädigtem Kabel darf das Gerät nicht verwendet werden.
- ◆ Das Gerät nicht im Freien benutzen oder aufbewahren.
- ◆ Das Gerät niemals Regen oder Feuchtigkeit aussetzen. Wasser, das eventuell in das Gerät gelangt, erhöht die Elektroschockgefahr.
- ◆ **WARNUNG** Schlafen Sie während der Benutzung dieses Gerätes nicht ein, das könnte zu Gefahrensituationen führen.
- ◆ Wärmeunempfindliche Personen dürfen das Gerät nicht

verwenden (da das Gerät mit erhitzbaren Flächen ausgestattet ist).

- ◆ Die Heizteile des Gerätes nicht berühren, da sie schwere Verbrennungen verursachen können.

Benutzung und Pflege:

- ◆ Vor jedem Gebrauch des Geräts das Stromkabel vollständig abwickeln.
- ◆ Schließen Sie das Gerät niemals an ohne vorher die Ölwanne gefüllt zu haben.
- ◆ Benützen Sie das Gerät nicht, wenn der An-/Aussschalter nicht funktioniert.
- ◆ Die Fritteuse niemals transportieren, wenn sie in Betrieb gesetzt wurde oder das Öl noch heiß ist. Sobald das Gerät abgekühlt ist, mithilfe der Handgriffe transportieren.
- ◆ Verwenden Sie den / die Griff/e, um das Gerät zu heben oder zu tragen.
- ◆ Solange das Gerät in Betrieb oder ans Netz geschlossen ist, darf es nicht umgedreht werden.
- ◆ Achten Sie auf die MAX- und MIN-Markierungen.
- ◆ Ziehen Sie den Stecker heraus und lassen Sie das Gerät abkühlen, bevor Sie mit der Reinigung beginnen.
- ◆ Das Gerät außerhalb der Reichweite von Kindern und/ oder Personen mit eingeschränkten körperlichen, sensorischen oder geistigen Fähigkeiten bzw. Personen ohne ausreichende Erfahrung und Kenntnisse aufbewahren.
- ◆ Das Gerät nicht wegräumen, wenn es noch heiß ist.
- ◆ Das Gerät niemals unbeaufsichtigt lassen, wenn es in Betrieb ist. Kinder fernhalten, da es sich um ein elektrisches Gerät handelt, das Öl hoch erhitzt und schwere Verbrennungen verursachen kann.
- ◆ Verwenden Sie nur Küchenutensilien, die für hohe Temperaturen ausgelegt sind.
- ◆ **WARNUNG** Schlafen Sie während der Benutzung dieses Gerätes nicht ein, das könnte zu Gefahrensituationen führen.
- ◆ Wenn Sie Fett anstelle von Öl verwenden, muss dieses vorab in einem separaten Gefäß geschmolzen werden.
- ◆ Wenn sich das Fett in der Fritteuse erhärtet hat, stechen Sie ein paar Löcher in die solide Fettmasse, damit das Wasser, das im Fett zurückgeblieben ist, bei Erwärmung auf der niedrigsten Stufe des Thermostats als Dampf entweichen kann.
- ◆ Sollte das Öl aus irgendeinem Grund in Brand geraten, den Stecker der Fritteuse ziehen und das Feuer mit dem Deckel, mit einer Decke oder mit einem großen Küchentuch löschen. **DAS FEUER UNTER KEINEN UMSTÄNDEN MIT WASSER LÖSCHEN. DAS FEUER UNTER KEINEN UMSTÄNDEN MIT WASSER LÖSCHEN.**

Betrieb:

- ◆ Achten Sie darauf, dass Reparaturen am Gerät nur von einem Fachmann ausgeführt werden. Wenn Sie Betriebsmittel / Ersatzteile benötigen, dürfen diese nur Originalteile sein.
- ◆ **WARNUNG** Wenn das Gerät nicht gemäß diesen Anleitungen gereinigt wird, kann ein Brandrisiko entstehen.
- ◆ Unsachgemäße Verwendung bzw. Nichteinhaltung der Gebrauchsanweisung kann Gefahren zur Folge haben und führt zum Erlöschen der Garantieansprüche sowie der Haftung des Herstellers.

BEZEICHNUNG

- A Deckel
- B Deckelgriff
- C Fenster
- D Thermostat zur Temperaturregelung
- E Leuchtanzeige
- F Reset-Taste
- G Führungsprofile
- H Steuereinheit
- I Heizelement
- J Frittierkorb
- K Frittierkorbgriff
- L Korbbalierung
- M Ölwanne
- N Füllstand-Markierung
- O Kanne
- P Netzanschluss
- Q Netzanschlussfach
- R Halterung Bedieneinheit

BENUTZUNGSHINWEISE

Vor der Benutzung:

- ◆ Vergewissern Sie sich, dass Sie das gesamte Verpackungsmaterial des Produkts entfernt haben.
- ◆ Vor der Erstanwendung müssen die Einzelteile, die mit Nahrungsmitteln in Kontakt geraten, so wie im Absatz Reinigung beschrieben, gereinigt werden.

Mit Öl füllen:

- ◆ Öffnen Sie den Deckel.
- ◆ Vergewissern Sie sich, dass die Elektro-Einheit perfekt aufliegt.
- ◆ Öl bis zur MAXIMUM - Anzeige in die Wanne geben.

- ◆ Das Gerät darf nicht verwendet werden, wenn die MIN-Füllhöhe für Öl unterschritten ist.

Benutzung:

- ◆ Vor Anschluss das Kabel völlig ausrollen.
- ◆ Schließen Sie das Gerät an das Stromnetz an.
- ◆ Den Frittierkorb nehmen und die Griffe durch Drehen befestigen, bis die Haltearme im Gehäuse einrasten.
- ◆ Die gewünschte Frittieretemperatur mittels des Thermostatreglers einstellen. Das Aufleuchten der roten Kontrolllampe gibt an, dass die Erhitzung des Öls erfolgt (mit geschlossenem Deckel sparen Sie Energie).
- ◆ Stellen Sie das Frittiergut bereit und legen Sie es in den Frittierkorb, wobei 2/3 seines Fassungsvermögens nicht überschritten werden sollten. Lassen Sie die Nahrungsmittel abtropfen, bevor sie in der Wanne untergetaucht werden.
- ◆ Wenn die Lebensmittel gefroren sind, füllen Sie die Ölwanne zur Hälfte mit Öl und geben Sie die Lebensmittel langsam in das Öl. HINWEIS: Die gefrorenen Nahrungsmittel oder Nahrungsmittel mit hohem Wassergehalt in die Wanne können bewirken, dass Öl innerhalb weniger Sekunden nach außen spritzt.
- ◆ Während der Benutzung des Gerätes schaltet sich die Kontrollleuchte automatisch ein und aus. Dadurch wird der Betrieb der Heizelemente angezeigt, die das Gerät auf die gewünschte Temperatur anheizen.
- ◆ Um ein Überströmen des Öls und Spritzer zu vermeiden, wird der Frittierkorb langsam in den Behälter eingetaucht. Je nach Bedarf frittieren Sie mit offenem oder geschlossenem Deckel.
- ◆ Sobald das Frittiergut zubereitet ist, den Frittierkorb anheben und ihn zum Abtropfen von überschüssigem Öl in den Behälterrund einhängen.
- ◆ Den Frittierkorb entleeren.
- ◆ Das Öl nach ca. 15-20 Frittiervorgängen oder nach 1-2 Monaten wechseln, falls das Gerät nicht regelmäßig benutzt wird.
- ◆ Um die Entstehung von Acrylamid während des Frittiervorgangs zu minimieren, sollten Sie darauf achten, dass das Frittiergut keine dunkelbraune Farbe annimmt. Verbranntes Frittiergut im Ölbehälter sind zu entfernen und stärkehaltige Lebensmittel (wie Kartoffeln und Getreideprodukte) sind bei Temperaturen unter 170°C zu garen.

Nach der Benutzung des Geräts:

- ◆ Die Position Minimum (MIN) mittels des Temperaturreglers auswählen.
- ◆ Den Stecker aus der Netzdose ziehen.
- ◆ Schließen Sie den Deckel.

- ◆ Lassen Sie das Gerät vollständig abkühlen.
- ◆ Reinigen Sie das Gerät.

Transport-Griffe:

- ◆ Für ein leichtes und bequemes Tragen ist dieses Gerät an der Seite mit einem Tragegriff ausgestattet.

Praktische Ratschläge:

- ◆ Um Gerüche des Öl zu beseitigen, können Sie ein paar Stückchen Brot frittieren.
- ◆ Bei Nahrungsmitteln mit viel Wassergehalt ist es besser und schneller zwei Fritüren mit geringerer Menge zu machen, als eine einzige. Damit wird das Risiko von Spritzern und des Überlaufens vermieden.
- ◆ Um eine gleichmäßig knusprige Fritüre zu erhalten, kann die Methode der "Fritüre in zwei Gängen" angewendet werden. Sie besteht darin zunächst eine erste Fritüre zu machen bis die Nahrungsmittel ziemlich gar sind, und anschließend eine zweite, um sie zu bräunen, mit sehr heißem Öl.
- ◆ Es wird empfohlen mit Olivenöl niedrigster Säuregradierung zu frittieren.
- ◆ Mischen Sie keine Ölsorten unterschiedlicher Qualität.
- ◆ Um zu vermeiden, dass Kartoffelscheiben aneinanderkleben ist es ratsam, sie vor dem Frittieren zu waschen.

Wärmeschutzschalter:

- ◆ Das Gerät ist mit einem Temperaturschutzschalter ausgestattet, der bei einer Überhitzung den Betrieb des Gerätes unterbricht. Wenn dieser Fall eintritt, ist der Netzstecker zu ziehen und der Motor abkühlen zu lassen. Danach die Reset-Taste an der Hinterseite der Elektroeinheit mit der Spitze eines Kugelschreibers oder Ähnlichem drücken. Das Gerät ist dann wieder betriebsbereit.

REINIGUNG

- ◆ Ziehen Sie den Stecker heraus und lassen Sie das Gerät abkühlen, bevor Sie mit der Reinigung beginnen.
- ◆ Zur Zerlegung des Gerätes sind die folgenden Schritte zu befolgen:
- ◆ Den Frittierkorb und die Bedieneinheit entnehmen.
- ◆ Die Wanne herausnehmen.
- ◆ Den Korb herausnehmen Das gebrauchte Öl vorsichtig aus der Wanne in ein Gefäß (und nicht ins Spülbecken) gießen, gemäß den geltenden Richtlinien für Behandlung und Entsorgung von Rückständen.
- ◆ Bis auf das Netzteil und den Netzanschluss können

alle Teile mit Spülmittel und Wasser oder in Spülmittel gereinigt werden. Gründlich ausspülen, um alle Waschlösungsmittelrückstände zu entfernen

- ◆ Reinigen Sie die elektrische Einheit und den Netzstecker mit einem feuchten Tuch und trocknen Sie diese danach ab. NIEMALS IN WASSER ODER EINE ANDERE FLÜSSIGKEIT EINTAUCHEN.
- ◆ Reinigen Sie das Gerät mit einem feuchten Tuch, auf das Sie einige Tropfen Reinigungsmittel geben und trocknen Sie es danach ab.
- ◆ Verwenden Sie zur Reinigung des Geräts weder Löse- oder Scheuermittel, noch Produkte mit einem sauren oder basischen pH-Wert wie z.B. Lauge.
- ◆ Es wird empfohlen, Speisereste regelmäßig vom Gerät zu entfernen.
- ◆ Wenn das Gerät nicht in einen sauberen Zustand gehalten wird, kann sich der Zustand seiner Oberfläche verschlechtern, seine Lebenszeit negativ beeinflusst und gefährliche Situationen verursacht werden.
- ◆ Folgende Teile sind für die Reinigung in warmem Seifenwasser oder in der Spülmaschine (kurzes Spülprogramm) geeignet:
 - ◆ Frittierkorb
 - ◆ Deckel
 - ◆ Wanne
- ◆ Die Abtropf-/Abtrocknungsposition der im Geschirrspüler oder Spülbecken spülbaren Teile muss einen ungehinderten Wasserablauf ermöglichen.
- ◆ Trocknen Sie alle Teile gut ab, bevor Sie das Gerät montieren und aufbewahren.

Ersatzteile

- ◆ Bei Vertretern und offiziellen Verkaufsstellen für Ersatzteile (wie Filter, ...) für das entsprechende Modell.
- ◆ Verwenden Sie stets für Ihr Gerät geeignete Originalteile.

STÖRUNGEN UND REPARATUR

- ◆ - Bei Schäden und Störungen bringen Sie das Gerät zu einem zugelassenen Technischen Kundendienst. Versuchen Sie nicht, das Gerät selbst auseinanderzubauen und zu reparieren. Das könnte Gefahren zur Folge haben.

Für die EU-Ausführungen des Produkts und/oder für Länder, in denen diese Vorschriften anzuwenden sind:

Ökologie und Recycling des Produkts

- ◆ Die zur Herstellung des Verpackungsmaterials dieses Geräts verwendeten Materialien Teil eines Sammel-, Klassifizierungs- und Recyclingsystems. Wenn Sie es entsorgen möchten, so können Sie die öffentlichen Container für die betreffenden Materialarten verwenden.
- ◆ Das Produkt ist frei von umweltschädlichen Konzentrationen von Substanzen.
- ◆ Bitte denken Sie daran, die Vorschriften bezüglich der Entsorgung dieser umweltbelastenden Substanz zu berücksichtigen.



Dieses Symbol weist darauf hin, dass das Produkt, wenn Sie es am Ende seiner Lebensdauer entsorgen wollen, in geeigneter Weise bei einer zugelassenen Entsorgungsstelle abzugeben ist, um die getrennte Sammlung von Elektro- und Elektronikgeräte-Abfall (WEEE) sicherzustellen.

Dieses Gerät erfüllt die Richtlinie 2014/35/EU über Niederspannung, die Richtlinie 2014/30/EU über elektromagnetische Verträglichkeit, die Richtlinie 2011/65/EU zur Beschränkung der Verwendung bestimmter gefährlicher Stoffe in Elektro- und Elektronikgeräten und die Richtlinie 2009/125/EC über die Anforderungen an die umweltgerechte Gestaltung energiebetriebener Produkte.

GARANTIE UND TECHNISCHER SERVICE

Dieses Produkt ist von der gesetzlichen Garantie gemäß der geltenden Gesetzgebung geschützt. Um Ihre Rechte und Interessen geltend zu machen, müssen Sie eines unserer offiziellen Servicezentren aufsuchen.

Über folgenden Link finden Sie ein Servicezentrum in Ihrer Nähe: <http://www.2helpu.com/>. Sie können auch Informationen anfordern, indem Sie sich mit uns in Verbindung setzen (siehe letzte Seite des Handbuchs).

Sie können dieses Benutzerhandbuch und seine Aktualisierungen unter <http://www.2helpu.com/>

FRIGGITRICE BXDF2100E

Egregio cliente,

Le siamo grati per aver acquistato un prodotto della marca BLACK+DECKER. La sua tecnologia, il suo design e la sua funzionalità, oltre al fatto di aver superato le più rigorose norme di qualità, le assicureranno una totale e durevole soddisfazione.

- ◆ Prima di utilizzare l'apparecchio, leggere attentamente le istruzioni riportate nel presente opuscolo e conservarlo per future consultazioni. La mancata osservanza delle presenti istruzioni può essere causa di incidenti.

CONSIGLI E AVVERTENZE PER LA SICUREZZA

- ◆ Prima del primo utilizzo dell'apparecchio, si consiglia di pulire tutte le parti a contatto con gli alimenti, come indicato nella sezione dedicata alla pulizia.
- ◆ Questo apparecchio è destinato unicamente ad un uso domestico, non professionale o industriale. L'apparecchio è stato progettato per un uso esclusivamente domestico e non è destinato a un uso professionale e industriale. Non è adatto all'utilizzo da parte di ospiti di strutture ricettive, quali bed and breakfast, hotel, motel e altri tipi di ambienti residenziali, compresi agriturismi o aree di riposo per il personale di negozi, uffici e altri ambienti di lavoro.
- ◆ Questo apparecchio non deve essere utilizzato da bambini di età inferiore agli 8 anni.
- ◆ Questo apparecchio può essere utilizzato da bambini dagli 8 anni in su, sotto la continua supervisione di un adulto.
- ◆ Questo apparecchio è idoneo per l'utilizzo da parte di persone con capacità fisiche, sensoriali o mentali ridotte o da persone non familiari con la manipolazione dello stesso, purché sorvegliati o debitamente informati sull'utilizzo in sicurezza della macchina e sui potenziali pericoli associati.
- ◆ Mantenere l'apparecchio e le parti per il collegamento alla rete elettrica fuori dalla portata di bambini minori di 8 anni.
- ◆ I bambini non possono eseguire operazioni di pulizia o di manutenzione dell'apparecchio.
- ◆ Questo apparecchio non è un giocattolo. Assicurarsi che i bambini non giochino con l'apparecchio.
- ◆ Posizionare l'apparecchio su una superficie orizzontale, piana e stabile, con le impugnature, se ci fossero, orientate in modo da evitare possibili spargimenti di liquidi caldi.
- ◆ Non collegare l'apparecchio a programmatori, temporizzatore o altri dispositivi che ne consentano il funzionamento automatico.
- ◆ Se la connessione alla rete elettrica è danneggiata, è necessario sostit-

tuiria, rivolgendosi a un Centro di Assistenza Tecnica autorizzato. Non tentare di smontare o di riparare l'apparecchio.



- ◆ Durante il funzionamento dell'apparecchio la temperatura delle superfici accessibili potrebbe arrivare ad essere elevata.
- ◆ Prima di collegare l'apparecchio alla rete elettrica, verificare che la tensione indicata sulla targhetta caratteristica e il selettore di tensione corrispondano alla tensione della rete.
- ◆ Collegare l'apparecchio a una base dotata di messa a terra in grado di sostenere almeno 10 ampere.
- ◆ Verificare che la presa sia adatta alla spina dell'apparecchio. Non apportare alcuna modifica alla spina. Non usare adattatori a spina.
- ◆ Non tirare il cavo elettrico. Non usare mai il cavo elettrico per sollevare, trasportare o scollegare l'apparecchio.
- ◆ Non avvolgere il cavo di alimentazione attorno all'apparecchio.
- ◆ Non lasciare che il cavo rimanga impigliato o attorcigliato.
- ◆ Non lasciare che il cavo di connessione entri in contatto con le superfici calde dell'apparecchio.
- ◆ Non lasciare che il cavo di connessione penda dal tavolo o entri a contatto con le superfici calde dell'apparecchio.
- ◆ Controllare lo stato del cavo di alimentazione. I cavi danneggiati o attorcigliati aumentano il rischio di scariche elettriche.
- ◆ Si raccomanda, come ulteriore protezione nell'installazione elettrica che alimenta l'apparecchio, di utilizzare un dispositivo di corrente differenziale con una sensibilità massima di 30mA. Rivolgersi ad un installatore competente per un consiglio.
- ◆ Non toccare mai la spina con le mani bagnate.
- ◆ Non utilizzare l'apparecchio se il cavo di alimentazione o la spina sono danneggiati.
- ◆ In caso di rotture di una parte dell'involucro esterno dell'apparecchio, scollegare immediatamente la spina dalla presa di corrente, al fine di evitare eventuali scariche elettriche.
- ◆ Non usare l'apparecchio dopo una caduta, se presenta danni visibili o in presenza di qualsiasi perdita.
- ◆ Mantenere l'area di lavoro pulita e ben illuminata. È più

probabile che si verifichino incidenti in aree non adeguatamente illuminate e ordinate.

- ◆ Utilizzare l'apparecchio in una zona ben ventilata.
- ◆ Non collocare l'apparecchio su superfici calde come piastre di cottura, bruciatori a gas, forni o simili.
- ◆ Non collocare l'apparecchio all'interno di un forno o simili.
- ◆ Mantenere lontani bambini e altre persone durante l'uso dell'apparecchio.
- ◆ Appoggiare l'apparecchio su una superficie orizzontale, stabile e adatta a sopportare temperature elevate, lontano da altre sorgenti di calore e da possibili schizzi d'acqua.
- ◆ Collocare l'apparecchio lontano da materiali infiammabili come tessuti, cartone, carta...
- ◆ L'apparecchio deve essere collocato e utilizzato su una superficie piana e stabile. Mai sopra cartoni, stracci da cucina o elementi simili, giacché potrebbero essere un pericolo e possono pregiudicare il corretto funzionamento dell'apparecchio.
- ◆ **AVVERTIMENTO:** Per evitare un surriscaldamento non coprire l'apparecchio.
- ◆ Apparatto non idoneo all'uso in ambienti esterni.
- ◆ Ispezionare regolarmente il cavo di alimentazione per individuare segni di danneggiamento, nel qual caso non è consentito l'utilizzo dell'apparecchio.
- ◆ Non usare o esporre l'apparecchio alle intemperie.
- ◆ Non lasciare l'apparecchio sotto la pioggia o in luoghi umidi. Le infiltrazioni d'acqua aumentano il rischio di scariche elettriche.
- ◆ **AVVERTIMENTO:** Fare attenzione a non addormentarsi con l'apparecchio in funzionamento, giacché esiste un pericolo di danni.
- ◆ Si sconsiglia l'uso dell'apparecchio a persone insensibili al calore in quanto l'apparecchio possiede superfici riscaldate.
- ◆ Non toccare le parti riscaldate dell'apparecchio perché potrebbero provocare gravi scottature.

Precauzioni d'uso:

- ◆ Prima di ogni utilizzo, svolgere completamente il cavo dell'apparecchio.
- ◆ Non collegare mai l'apparecchio senza avere prima riempito il secchiello con olio.
- ◆ Non utilizzare l'apparecchio se il suo dispositivo di accensione/spengimento non funziona.
- ◆ Non spostare la friggitrice quando sia in funzione o l'olio sia ancora caldo. Con la friggitrice fredda, spostarla utilizzando le maniglie.

- ◆ Utilizzare il manico/i per prendere o spostare l'apparecchio.
- ◆ Non capovolgere l'apparecchio se è in funzione o collegato alla presa.
- ◆ Fare attenzione ai livelli MASSIMO e MINIMO.
- ◆ Scollegare la spina dalla presa di corrente quando l'apparecchio non è in uso e prima di eseguire qualsiasi operazione di pulizia.
- ◆ Conservare questo apparecchio fuori dalla portata dei bambini e/o persone con problemi fisici, mentali o di sensibilità o con mancanza di esperienza e conoscenza
- ◆ Non riporre, né trasportare l'apparecchio quando è ancora caldo.
- ◆ Non lasciare mai l'apparecchio incustodito durante l'uso e non lasciarlo alla portata dei bambini, in quanto si tratta di un apparecchio che scalda l'olio a temperature elevate e può provocare gravi scottature.
- ◆ Utilizzare solamente utensili in grado di sostenere alte temperature.
- ◆ **AVVERTIMENTO:** Fare attenzione a non addormentarsi con l'apparecchio in funzionamento, giacché esiste un pericolo di danni.
- ◆ Se si utilizza grasso al posto dell'olio, sarà necessario scioglierlo prima in un recipiente separato.
- ◆ Se il grasso si indurisce nella friggitrice, praticare dei fori nel blocco di grasso solido in modo che l'acqua trattenu- ta al suo interno possa fuoriuscire sotto forma di vapore quando viene scaldato al minimo del termostato.
- ◆ Se, per qualunque motivo, l'olio s'incendiasse, disinseri- re la presa dell'apparecchio e soffocare l'incendio con il coperchio, con una coperta o con un panno da cucina di grandi dimensioni. **MAI CON ACQUA.**

Servizio:

- ◆ Assicurarsi che il servizio di manutenzione dell'apparec- chio sia eseguito da personale specializzato e che, se si dovessero necessitare materiali di consumo/ricambi, questi siano originali.
- ◆ **AVVERTIMENTO:** Nel caso in cui la pulizia dell'appa- recchio non sia stata eseguita in conformità a queste istruzioni, può esistere il rischio d'incendio.
- ◆ Il produttore invalida la garanzia e declina ogni respon- sabilità in caso di uso inappropriato dell'apparecchio o non conforme alle istruzioni d'uso.

DESCRIZIONE

- A Coperchio
- B Manico coperchio
- C Finestra

- D Termostato regolatore della temperatura
- E Spia luminosa
- F Pulsante di riattivazione
- G Profili delle guide
- H Unità di controllo
- I Elemento riscaldante
- J Cestello
- K Impugnatura del cestello
- L Supporto per il cestello
- M Vaschetta dell'olio
- N Indicatore di livello
- O Corpo
- P Connessione alla rete
- Q Alloggiamento cavo
- R Supporto unità di controllo

MODALITÀ D'USO

Prima dell'uso:

- ◆ Assicurarsi di aver rimosso dal prodotto tutto il materiale di imballaggio.
- ◆ Previamente al primo utilizzo dell'apparecchio, si consiglia di pulire tutte le parti a contatto con gli alimenti, come indicato nella sezione dedicata alla pulizia.

Riempimento della vaschetta:

- ◆ Aprire il coperchio.
- ◆ Verificare che il gruppo elettrico sia perfettamente stabile.
- ◆ Versare olio nel secchiello fino al segno che indica il livello MASSIMO.
- ◆ Non si deve usare l'apparecchio con una quantità d'olio inferiore al livello MINIMO indicato.

Uso:

- ◆ Svolgere completamente il cavo prima di inserire la spina.
- ◆ Collegare l'apparecchio alla rete elettrica.
- ◆ Estrarre il cestello e montare il manico facendolo ruotare su sé stesso fino a quando i perni non entrano nel loro alloggiamento.
- ◆ Selezionare la temperatura di frittura desiderata mediante il comando termostato di regolazione. La spia luminosa di riscaldamento diventerà rossa, indicando che l'olio si sta riscaldando (chiudere il coperchio per risparmiare energia).
- ◆ Preparare gli alimenti da friggere e collocarli nel cestello,

prestando attenzione che non superino i 2/3 della sua capacità. Lasciare sgocciolare gli alimenti prima di immergerli nel cestello.

- ◆ Se gli alimenti sono surgelati, riempire la vaschetta d'olio fino alla metà e introdurre gli alimenti lentamente. NOTA: se si introducono alimenti congelati o contenenti un'elevata quantità d'acqua nella vaschetta, è possibile che l'olio schizzi violentemente verso l'esterno dopo alcuni secondi.
- ◆ Durante l'utilizzo dell'apparecchio, la spia luminosa (G) si accenderà e spegnerà automaticamente, indicando in questo modo il funzionamento degli elementi riscaldanti per mantenere la temperatura desiderata.
- ◆ Introdurre lentamente il cestello nel secchiello allo scopo di evitare uscite dell'olio e schizzi. Friggere con il coperchio aperto o chiuso.
- ◆ Quando la frittura è pronta, sollevare il cestello e apprenderlo al suo supporto d'appoggio per consentire lo scolo dell'eccesso d'olio degli alimenti.
- ◆ Svuotare il cestello.
- ◆ Cambiare l'olio circa ogni 15 o 20 frittiture, oppure ogni 1-2 mesi se non si usa abitualmente.
- ◆ Per minimizzare la produzione di acrilamide durante il processo di frittura, evitare che gli alimenti acquisiscano un color marrone scuro, rimuovere i resti di alimenti bruciati dal secchiello dell'olio e processare gli alimenti ricchi di amido (come le patate e i cereali) a temperature inferiori a 170°C.

Una volta concluso l'utilizzo dell'apparecchio:

- ◆ Selezionare la posizione di minimo (MIN) mediante il selettore di temperatura.
- ◆ Scollegare l'apparecchio dalla rete.
- ◆ Chiudere il coperchio.
- ◆ Lasciare raffreddare completamente l'apparecchio.
- ◆ Pulire l'apparecchio.

Maniglia/e di Trasporto:

- ◆ Questo apparecchio dispone di una maniglia nella parte laterale per rendere agevole e comodo il trasporto.

Consigli pratici:

- ◆ È possibile eliminare l'odore dell'olio friggendo dei pezzi di pane.
- ◆ Nel caso di alimenti che contengano molta acqua, è meglio e più rapido realizzare due frittiture con minor quantità che una sola frittura. In questa maniera si evita il rischio di schizzi e di uscite d'olio.

- ◆ Per ottenere una frittura uniforme e croccante, si può utilizzare il metodo di "frittura in due tempi". Questo sistema consiste in realizzare una prima frittura fino al momento in cui gli alimenti sono già abbastanza fritti, e quindi effettuare una nuova frittura per dorare gli alimenti, con l'olio molto caldo.
- ◆ Si consiglia di friggere con olio d'oliva con acidità minima.
- ◆ Non bisogna mischiare oli di varie qualità.
- ◆ Per evitare che le patate si attacchino si consiglia di lavarle prima di friggerle.

Protettore termico di sicurezza:

- ◆ In caso di surriscaldamento si attiverà il dispositivo di sicurezza termica e l'apparecchio cesserà di funzionare. Quando ciò accada bisognerà scollegare l'apparecchio dalla rete elettrica e lasciare che si raffreddi. Successivamente premere il tasto di riattivazione, situato nella parte posteriore del complesso elettrico, usando la punta di una penna o un oggetto simile, per rendere l'apparecchio nuovamente operativo per il funzionamento.

PULIZIA

- ◆ Scollegare la spina dalla rete elettrica e aspettare che l'apparecchio si raffreddi, prima di eseguirne la pulizia.
- ◆ Smontare l'apparecchio seguendo i passi sotto descritti:
- ◆ Estrarre il cesto ed il gruppo elettrico.
- ◆ Estrarre il secchiello
- ◆ Versare con attenzione l'olio precedentemente utilizzato dal secchiello in un recipiente (non nell'acquaio) conformemente alla normativa in vigore per il trattamento e l'eliminazione dei residui.
- ◆ Ad eccezione dell'alimentatore e dell'allacciamento alla rete, tutte le parti possono essere pulite con detersivo e acqua o con detersivo per piatti. Risciacquare abbondantemente per rimuovere ogni traccia di detersivo
- ◆ Pulire l'unità elettrica e il connettore di rete con un panno umido e poi asciugarli. **NON IMMERGERLI MAI IN ACQUA O IN QUALUNQUE ALTRO LIQUIDO.**
- ◆ Pulire il gruppo elettrico con un panno umido, quindi asciugarlo.
- ◆ Per la pulizia non impiegare solventi o prodotti a pH acido o basico, come la candeggina, né prodotti abrasivi.
- ◆ Si raccomanda di pulire l'apparecchio periodicamente e di rimuovere tutti i residui di cibo.
- ◆ La mancata pulizia periodica dell'apparecchio può provocare il deterioramento delle superfici, compromettendone la durata operativa e la sicurezza.

- ◆ I seguenti pezzi possono essere lavati con acqua e detersivo o in lavastoviglie (usando un programma li lavaggio leggero):
- ◆ Cestello
- ◆ Coperchio
- ◆ Secchiello
- ◆ La posizione di sgocciolamento/asciugatura dei pezzi lavabili nella lavastoviglie o a mano deve permettere che l'acqua scoli facilmente.
- ◆ Prima di montare e riporre l'apparecchio, asciugare bene tutti i pezzi.

Materiali di consumo

- ◆ I materiali di consumo (come i filtri) per il suo modello di apparecchio potranno essere acquistati presso i distributori e gli stabilimenti autorizzati
- ◆ Usare sempre materiali di consumo originali, disegnati specificatamente per il suo modello di apparecchio.

ANOMALIE E RIPARAZIONI

- ◆ - In caso di guasto, rivolgersi a un Centro di Assistenza Tecnica autorizzato. Non tentare di smontare o di riparare l'apparecchio: può essere pericoloso.

Per i prodotti dell'Unione Europea e/o nel caso in cui sia previsto dalla legislazione del Suo paese di origine: Prodotto ecologico e riciclabile

- ◆ I materiali che costituiscono l'imballaggio di questo apparecchio sono compresi in un sistema di raccolta, classificazione e riciclaggio degli stessi. Per lo smaltimento, utilizzare gli appositi contenitori pubblici, adatti per ogni tipo di materiale.
- ◆ Il prodotto non contiene concentrazioni di sostanze considerate dannose per l'ambiente.
- ◆ Questo apparecchio contiene o può contenere olio, pertanto bisogna rispettare le norme relative allo smaltimento di questo tipo di contaminante.



Questo simbolo indica che, per smaltire il prodotto al termine della sua durata utile, occorre depositarlo presso un ente di smaltimento autorizzato alla raccolta differenziata di rifiuti di apparecchiature elettriche ed elettroniche (RAEE).

Questo apparecchio rispetta la Direttiva 2014/35/EU di Bassa Tensione, la Direttiva 2014/30/EU di Compatibilità Elettromagnetica, la Direttiva 2011/65/EU sui limiti d'impiego di determinate sostanze pericolose negli apparecchi elettrici ed elettronici e la Direttiva 2009/125/EC riguardante l'Ecodesign dei prodotti che consumano energia.

GARANZIA E ASSISTENZA TECNICA

Questo prodotto possiede il riconoscimento e la protezione della garanzia legale di conformità con la legislazione vigente. Per far valere i suoi diritti o interessi, dovrà rivolgersi a uno qualsiasi dei nostri servizi ufficiali di assistenza tecnica.

Può trovare il più vicino cliccando sul seguente link: <http://www.2helpu.com/>. Inoltre, può richiedere informazioni mettendosi in contatto con noi (consultare l'ultima pagina del manuale).

Può scaricare questo manuale di istruzioni e i suoi aggiornamenti da <http://www.2helpu.com/>

FREIDORA BXDF2100E

Distinguido cliente:

Le agradecemos que se haya decidido por la compra de un producto de la marca BLACK+DECKER. Su tecnología, diseño y funcionalidad, junto con el hecho de superar las más estrictas normas de calidad le comportarán total satisfacción durante mucho tiempo.

- ◆ Leer atentamente este folleto de instrucciones antes de poner el aparato en marcha y guardarlo para posteriores consultas. La no observación y cumplimiento de estas instrucciones pueden comportar como resultado un accidente.

CONSEJOS Y ADVERTENCIAS DE SEGURIDAD

- ◆ Antes del primer uso, limpiar todas las partes del producto que puedan estar en contacto con alimentos, procediendo tal como se indica en el apartado de limpieza.
- ◆ Este aparato está pensado únicamente para un uso doméstico, no para uso profesional o industrial. No está pensado para ser usado por clientes en entornos de hostelería de tipo alojamiento y desayuno, hoteles, moteles y otros entornos de tipo residencial, tampoco en casas rurales, zonas de cocina reservadas para el personal en tiendas, oficinas y otros entornos de trabajo.
- ◆ Este aparato no debe ser usado por niños menores de 8 años.
- ◆ Este aparato puede ser utilizado por niños con edad de 8 años y superior si están continuamente supervisados.
- ◆ Este aparato pueden utilizarlo personas con capacidades físicas, sensoriales o mentales reducidas o falta de experiencia y conocimiento, si se les ha dado la supervisión o formación apropiadas respecto al uso del aparato de una manera segura y comprenden los peligros que implica.
- ◆ Mantener el aparato y su conexión de red fuera del alcance de los niños menores de 8 años.
- ◆ La limpieza y el mantenimiento a realizar por el usuario no deben realizarlos los niños.
- ◆ Este aparato no es un juguete. Los niños deben estar bajo vigilancia para asegurar que no jueguen con el aparato.
- ◆ Situar el aparato sobre una superficie horizontal, plana y estable con las asas, si las hay, situadas para evitar posibles derramamientos de líquidos calientes.
- ◆ No usar el aparato asociado a un programador, temporizador u otro dispositivo que conecte el aparato automáticamente.
- ◆ Si la conexión red está dañada, debe ser substituida, llevar el aparato a un Servicio de Asistencia Técnica autorizado. Con el fin de

evitar un peligro, no intente desmontarlo o repararlo por sí mismo.



La temperatura de las superficies accesibles puede ser elevada cuando el aparato está en funcionamiento.

- ◆ Antes de conectar el aparato a la red, verificar que el voltaje indicado en la placa de características coincide con el voltaje de red.
- ◆ Conectar el aparato a una base de toma de corriente provista de toma de tierra y que soporte como mínimo 10 amperios.
- ◆ La clavija del aparato debe coincidir con la base eléctrica de la toma de corriente. Nunca modificar la clavija. No usar adaptadores de clavija.
- ◆ No forzar el cable eléctrico de conexión. Nunca usar el cable eléctrico para levantar, transportar o desenchufar el aparato.
- ◆ No enrollar el cable eléctrico de conexión alrededor del aparato.
- ◆ No dejar que el cable eléctrico de conexión quede atrapado o arrugado.
- ◆ No dejar que el cable eléctrico de conexión quede en contacto con las superficies calientes del aparato.
- ◆ No dejar que el cable eléctrico de conexión quede colgando de la mesa o quede en contacto con las superficies calientes del aparato.
- ◆ Verificar el estado del cable eléctrico de conexión. Los cables dañados o enredados aumentan el riesgo de choque eléctrico.
- ◆ Es recomendable como protección adicional en la instalación eléctrica que alimenta el aparato, el disponer de un dispositivo de corriente diferencial con una sensibilidad máxima de 30mA. Pregunte a un instalador competente para que le aconseje.
- ◆ No tocar la clavija de conexión con las manos mojadas.
- ◆ No utilizar el aparato con el cable eléctrico o la clavija dañada.
- ◆ Si alguna de las envolventes del aparato se rompe, desconectar inmediatamente el aparato de la red para evitar la posibilidad de sufrir un choque eléctrico.
- ◆ No utilizar el aparato si ha caído, si hay señales visibles de daños, o si existe fuga.
- ◆ Mantener el área de trabajo limpia y bien iluminada. Las áreas desordenadas y oscuras son propensas a que ocurran accidentes.
- ◆ Usar el aparato en una zona bien ventilada.

- ◆ No colocar el aparato sobre superficies calientes tales como placas de cocción, quemadores de gas, hornos o similares.
- ◆ No colocar el aparato en el interior de un horno o similar.
- ◆ Mantener alejados a niños y curiosos mientras maneje este aparato.
- ◆ Situar el aparato sobre una superficie horizontal, plana, estable y apta para soportar altas temperaturas, alejada de otras fuentes de calor y de posibles salpicaduras de agua.
- ◆ Situar el aparato lejos de material combustible, tales como materiales textiles, cartón, papel...
- ◆ El aparato debe utilizarse y colocarse sobre una superficie plana y estable. Nunca sobre cartones, trapos de cocina o elementos similares, estos pueden ser un riesgo y pueden afectar al buen funcionamiento del aparato.
- ◆ ADVERTENCIA: A fin de evitar un sobrecalentamiento, no cubrir el aparato.
- ◆ Este aparato no es adecuado para uso en exteriores.
- ◆ El cable de alimentación debe ser examinado regularmente en busca de signos de daño, y si está dañado, el aparato no tiene que usarse.
- ◆ No utilizar ni guardar el aparato a la intemperie.
- ◆ No exponer el aparato a la lluvia o condiciones de humedad. El agua que entre en el aparato aumentará el riesgo de choque eléctrico.
- ◆ ADVERTENCIA: No quedarse dormido mientras se use este aparato, ya que existe riesgo de daños.
- ◆ No usar el aparato, en el caso de personas insensibles al calor (ya que el aparato tiene superficies calefactadas).
- ◆ No tocar las partes calefactadas del aparato, ya que pueden provocar quemaduras.

Utilización y cuidados:

- ◆ Antes de cada uso, extender completamente el cable de alimentación del aparato.
- ◆ No poner el aparato en marcha sin haber llenado antes la cubeta de aceite.
- ◆ No usar el aparato si su dispositivo de puesta en marcha/paro no funciona.
- ◆ No desplazar el aparato cuando esté funcionando o el aceite aún esté caliente. Con el aparato en frío, transportar el aparato haciendo uso de las asas.
- ◆ Hacer uso del asa/s para coger o transportar el aparato.
- ◆ No dar la vuelta al aparato mientras está en uso o conectado a la red.
- ◆ Respetar los niveles MAX y MIN.

- ◆ Desenchufar el aparato de la red cuando no se use y antes de realizar cualquier operación de limpieza.
- ◆ Guardar este aparato fuera del alcance de los niños y/o personas con capacidades físicas, sensoriales o mentales reducidas o falta de experiencia y conocimiento.
- ◆ No guardar ni transportar el aparato si todavía está caliente.
- ◆ No dejar nunca el aparato funcionando sin vigilancia, ni al alcance de los niños, ya que es un aparato eléctrico que calienta aceite a altas temperaturas y puede ocasionar quemaduras graves.
- ◆ Utilizar solamente utensilios apropiados soportar altas temperaturas.
- ◆ **ADVERTENCIA:** No quedarse dormido mientras se use este aparato, ya que existe riesgo de daños.
- ◆ Si se utiliza materia grasa en vez de aceite, se tiene que fundir ésta previamente en un recipiente aparte.
- ◆ Si la materia grasa se ha endurecido en la cubeta del aparato, hacer unos agujeros en la grasa sólida para permitir que el agua que ha podido quedar retenida en la grasa salga en forma de vapor al calentarla a temperatura mínima de termostato.
- ◆ Si por cualquier motivo el aceite se incendiara, desconectar el aparato de la red y sofocar el fuego con la tapa, con una manta, o con un paño grande de cocina. **NUNCA CON AGUA.**

Servicio:

- ◆ Cerciorarse que el servicio de mantenimiento del aparato sea realizado por personal especializado, y que caso de precisar consumibles/recambios, éstos sean originales.
- ◆ **ADVERTENCIA:** Existe el riesgo de incendio en caso de que la limpieza del aparato no se realice conforme a estas instrucciones.
- ◆ Toda utilización inadecuada, o en desacuerdo con las instrucciones de uso, puede comportar peligro, anulando la garantía y la responsabilidad del fabricante.

DESCRIPCIÓN

- A Tapa
- B Asa tapa
- C Ventana
- D Termostato regulador de temperatura
- E Indicador luminoso
- F Botón de rearme
- G Perfiles de guía
- H Unidad de control
- I Elemento calefactor

- J Cesta
- K Asa de la cesta
- L Apoyo para la cesta
- M Cubeta de aceite
- N Indicadores de nivel
- O Cuerpo
- P Conexión de red
- Q Alojamiento conexión de red
- R Soporte unidad de control

MODO DE EMPLEO

Notas previas al uso:

- ◆ Asegúrese de que ha retirado todo el material de embalaje del producto.
- ◆ Antes de usar el producto por primera vez, limpie las partes en contacto con alimentos tal como se describe en el apartado de Limpieza.

Llenado de Aceite:

- ◆ Abrir la tapa.
- ◆ Asegurarse de que el conjunto eléctrico está perfectamente asentado.
- ◆ Verter aceite en la cubeta hasta la marca que indica el nivel MÁXIMO.
- ◆ El aparato no debe funcionar con menos aceite del indicado en el nivel MÍNIMO.

Uso:

- ◆ Extender completamente el cable antes de enchufar.
- ◆ Enchufar el aparato a la red eléctrica.
- ◆ Sacar la cesta y armar el mango, haciéndolo pivotar hasta que las varillas entren en su alojamiento.
- ◆ Seleccionar la temperatura de fritura deseada mediante el mando termostato de regulación. El indicador luminoso se iluminará en color rojo, indicando que el aceite está en proceso de calentamiento (con la tapa cerrada se ahorra energía).
- ◆ Preparar los alimentos a freír y colocarlos en la cesta procurando que no rebasen los 2/3 de su capacidad. Dejar escurrir previamente los alimentos antes de sumergirlos en la cubeta.
- ◆ Si los alimentos están congelados, llenar la cubeta de aceite hasta la mitad e introducir los alimentos lentamente en el aceite. **NOTA:** los alimentos congelados o con gran contenido en agua en la cubeta pueden provocar la proyección brusca de aceite hacia el exterior al cabo de unos pocos segundos.

- ◆ Durante el uso del aparato el piloto luminoso se conectará y desconectará de forma automática, indicado de este modo el funcionamiento de los elementos calefactores para mantener la temperatura deseada.
- ◆ Introducir lentamente la cesta en la cubeta a fin de evitar desbordamientos y salpicaduras. Según criterio, freir con la tapa abierta o cerrada.
- ◆ Cuando la fritura esté en su punto, levantar la cesta y colgarla en su soporte para permitir el escurrido del exceso de aceite de los alimentos.
- ◆ Vaciar la cesta.
- ◆ Cambiar el aceite aproximadamente cada 15 ó 20 frituras, o cada 1 – 2 meses si no se utiliza habitualmente.
- ◆ Para minimizar la generación de acrilamida durante el proceso de fritura, no dejar que los alimentos adquieran un tono marrón oscuro, retirar los restos de alimentos quemados de la cubeta de aceite, y procesar los alimentos ricos en almidón (tales como patatas y cereales) a temperaturas inferiores a 170°C.

Una vez finalizado el uso del aparato:

- ◆ Seleccionar la posición de mínimo (MIN) mediante el mando selector de temperatura.
- ◆ Desenchufar el aparato de la red eléctrica.
- ◆ Cerrar la tapa.
- ◆ Dejar enfriar completamente el aparato.
- ◆ Limpiar el aparato.

Asa/s de Transporte:

- ◆ Este aparato dispone de unas asas laterales para hacer fácil y cómodo su transporte.

Consejos prácticos:

- ◆ Para desodorar el aceite se pueden freir unos trozos de pan.
- ◆ En aquellos alimentos que contienen mucha agua es mejor y más rápido realizar dos frituras con menor volumen de alimentos que una sola. Con esto se disminuye el riesgo de salpicaduras y desbordamientos.
- ◆ Para conseguir una fritura uniforme y crujiente se puede utilizar el método de «fritura en dos tiempos». Este sistema consiste en realizar una primera fritura hasta que los alimentos estén bastante hechos, y después una segunda fritura, con el aceite muy caliente, para dorar los alimentos.
- ◆ Es aconsejable freir con aceite de oliva de mínima acidez.
- ◆ No mezclar aceites de diversas calidades.
- ◆ Para evitar que las patatas se peguen es recomendable lavarlas antes de freírlas

Protector térmico de seguridad:

- ◆ En caso de sobrecalentamiento actuará el dispositivo de seguridad térmica y el aparato dejará de funcionar. Cuando esto suceda se debe desconectar el aparato de la red y dejar que se enfríe. A continuación, presionar el botón de rearme situado en la parte trasera del conjunto eléctrico con la punta de un bolígrafo o similar para poner de nuevo el aparato operativo para el funcionamiento.

LIMPIEZA

- ◆ Desenchufar el aparato de la red y dejarlo enfriar antes de iniciar cualquier operación de limpieza.
- ◆ Desmontar el aparato siguiendo los siguientes pasos:
- ◆ Sacar la cesta y extraer el conjunto eléctrico.
- ◆ Extraer la cubeta.
- ◆ Verter cuidadosamente el aceite ya utilizado de la cubeta en un recipiente (no en el fregadero), según la normativa vigente de tratamiento y eliminación de residuos.
- ◆ A excepción de la unidad de potencia y la conexión a la red, todas las piezas se pueden limpiar con detergente y agua o con lavavajillas. Enjuague bien para eliminar todos los restos de detergente.
- ◆ Limpiar el conjunto eléctrico y el conector de red con un paño húmedo y secarlos después. **NO SUMERGIRLOS NUNCA EN AGUA O CUALQUIER OTRO LÍQUIDO.**
- ◆ Limpiar el aparato con un paño húmedo impregnado con unas gotas de detergente y secarlo después.
- ◆ No utilizar disolventes, ni productos con un factor pH ácido o básico como la lejía, ni productos abrasivos, para la limpieza del aparato.
- ◆ Se recomienda limpiar el aparato regularmente y retirar todos los restos de alimentos.
- ◆ Si el aparato no se mantiene en buen estado de limpieza, su superficie puede degradarse y afectar de forma inexorable la duración de la vida del aparato y conducir a una situación peligrosa.
- ◆ Las siguientes piezas son aptas para su limpieza en agua caliente jabonosa o en el lavavajillas (usando un programa suave de lavado):
- ◆ Cesta
- ◆ Tapa
- ◆ Cubeta
- ◆ La posición de escurrido/secado de las piezas lavables en el lavavajillas o fregadero debe permitir el escurrido del agua con facilidad.
- ◆ A continuación, seque todas las piezas antes de su montaje y guardado.

Consumibles

- ◆ En los distribuidores y establecimientos autorizados se podrán adquirir los consumibles (tales como; filtros) para su modelo de aparato.
- ◆ Usar siempre consumibles originales, diseñados específicamente para su modelo de aparato.

ANOMALÍAS Y REPARACIÓN

- ◆ - En caso de avería llevar el aparato a un Servicio de Asistencia Técnica autorizado. No intente desmontarlo o repararlo ya que puede existir peligro.

Para las versiones EU del producto y/o en el caso de que en su país aplique:

Ecología y reciclabilidad del producto

- ◆ Los materiales que constituyen el envase de este aparato, están integrados en un sistema de recogida, clasificación y reciclado de los mismos. Si desea deshacerse de ellos, puede utilizar los contenedores públicos apropiados para cada tipo de material.
- ◆ El producto está exento de concentraciones de sustancias que se puedan considerar dañinas para el medio ambiente.
- ◆ Este aparato contiene o puede contener aceite, recordar que deben respetarse las reglamentaciones concernientes a la eliminación de este tipo de contaminante.



Este símbolo significa que, si desea deshacerse del producto, una vez transcurrida la vida del mismo, debe depositarlo por los medios adecuados a manos de un gestor de residuos autorizado para la recogida selectiva de

Residuos de Aparatos Eléctricos y Electrónicos (RAEE).

Este aparato cumple con la Directiva 2014/35/EU de Baja Tensión, con la Directiva 2014/30/EU de Compatibilidad Electromagnética, con la Directiva 2011/65/EU sobre restricciones a la utilización de determinadas sustancias peligrosas en aparatos eléctricos y electrónicos y con la Directiva 2009/125/EC sobre los requisitos de diseño ecológico aplicable a los productos relacionados con la energía.

GARANTÍA Y ASISTENCIA TÉCNICA

Este producto goza del reconocimiento y protección de la garantía legal de acuerdo con la legislación vigente.

Para hacer valer sus derechos o intereses, debe acudir a cualquiera de nuestros servicios oficiales de asistencia técnica.

Puede encontrar el más cercano accediendo al siguiente enlace web: <http://www.2helpu.com/>

También puede solicitar información relacionada poniéndole en contacto con nosotros (consulte la última página del manual).

Puede descargar este manual de instrucciones y sus actualizaciones en <http://www.2helpu.com/>

FRITADEIRA BXDF2100E

Caro cliente:

Obrigado por ter adquirido um produto da marca BLA-CK+DECKER. A sua tecnologia, design e funcionalidade, aliados às mais rigorosas normas de qualidade, garantir-lhe-ão uma total satisfação durante muito tempo.

- ◆ Leia atentamente este manual de instruções antes de ligar o aparelho e guarde-o para consultas futuras. A não observância e cumprimento destas instruções pode resultar em acidente.

CONSELHOS E ADVERTÊNCIAS DE SEGURANÇA

- ◆ Antes da primeira utilização, limpe todas as partes do aparelho que possam estar em contacto com os alimentos, procedendo como se indica no capítulo de limpeza.
- ◆ Este aparelho foi concebido exclusivamente para uso doméstico, não para uso profissional ou industrial. Não foi projetado para ser utilizado por hóspedes de estabelecimentos de alojamento do tipo “bed and breakfast”, hotéis, motéis e outros tipos de ambientes residenciais, incluindo casas rurais ou áreas de descanso para o pessoal de lojas, escritórios e outros ambientes de trabalho.
- ◆ Este aparelho não deve ser utilizado por crianças com idade inferior a 8 anos.
- ◆ Este aparelho pode ser utilizado por crianças com idade superior a 8 anos, desde estejam que sob supervisão contínua.
- ◆ Este aparelho pode ser utilizado por pessoas com incapacidades físicas, sensoriais ou mentais, ou por pessoas inexperientes, desde que o façam sob supervisão ou tenham recebido formação sobre a utilização segura do aparelho e compreendam os perigos que este acarreta.
- ◆ Guarde o aparelho fora do alcance de crianças menores de 8 anos.
- ◆ As crianças não devem realizar operações de limpeza ou manutenção do aparelho, a menos que supervisionadas por um adulto.
- ◆ Este aparelho não é um brinquedo. As crianças devem ser vigiadas para garantir que não brincam com o aparelho.
- ◆ Coloque o aparelho sobre uma superfície horizontal, plana e estável e com as pegas colocadas, se as tiver, para evitar possíveis derramamentos de líquidos quentes.
- ◆ Não utilize o aparelho associado a um programador, temporizador ou outro dispositivo que o ligue automaticamente.
- ◆ Se a ligação à corrente estiver danificada, deverá ser substituída. Leve o aparelho a um Serviço de Assistência Técnica autorizado. A fim de

evitar o perigo, não tente desmontá-lo ou repará-lo sozinho.



- ◆ A temperatura das superfícies acessíveis pode aumentar quando o aparelho está em funcionamento.
- ◆ Antes de ligar o aparelho à corrente, verifique se a tensão indicada na placa de características corresponde à tensão da rede.
- ◆ Ligue o aparelho a uma tomada elétrica com ligação à terra e com capacidade mínima de 10 amperes.
- ◆ A ficha do aparelho deve coincidir com a tomada de corrente elétrica. Nunca modifique a ficha. Não utilize adaptadores de ficha.
- ◆ Não force o cabo elétrico. Nunca utilize o cabo de alimentação para levantar, transportar ou desligar o aparelho da corrente.
- ◆ Não enrole o cabo no aparelho à volta do equipamento.
- ◆ Não deixe que o cabo elétrico fique preso ou dobrado.
- ◆ Evite que o cabo entre em contacto com as superfícies quentes do aparelho.
- ◆ Evite que o cabo elétrico entre em contacto com as superfícies quentes do aparelho.
- ◆ Verifique o estado do cabo elétrico. Os cabos danificados ou entrelaçados aumentam o risco de choque elétrico.
- ◆ Como proteção adicional na instalação elétrica que alimenta o aparelho, é recomendável dispor de um dispositivo de corrente diferencial que não exceda os 30mA. Consulte um técnico qualificado.
- ◆ Não toque na ficha de ligação com as mãos molhadas.
- ◆ Não utilize o aparelho se o cabo elétrico ou a ficha estiverem danificados.
- ◆ Se algum dos revestimentos do aparelho se partir, desligue imediatamente o aparelho da corrente para evitar a possibilidade de sofrer um choque elétrico.
- ◆ Não utilize o aparelho se este caiu e se existirem sinais visíveis de danos ou de fuga.
- ◆ Mantenha a área de trabalho limpa e bem iluminada. As áreas desordenadas e escuras propiciam a ocorrência de acidentes.
- ◆ Utilize o aparelho numa zona bem ventilada.
- ◆ Não coloque o aparelho em cima de superfícies quentes tais como placas elétricas, queimadores a gás, fornos, etc.

- ◆ Não coloque o aparelho dentro de um forno ou aparelho semelhante.
- ◆ Mantenha este aparelho fora do alcance das crianças.
- ◆ Coloque o aparelho sobre uma superfície plana e estável, apta a suportar temperaturas elevadas, longe de outras fontes de calor e de possíveis salpicos de água.
- ◆ Não coloque o aparelho próximo de materiais combustíveis como materiais têxteis, cartão, papel, etc.
- ◆ O aparelho deve ser utilizado e colocado sobre uma superfície plana e estável. Nunca utilizar sobre cartão, panos de cozinha ou elementos similares, pois acarretam risco de incêndio e podem afetar o bom funcionamento do aparelho.
- ◆ **ADVERTÊNCIA:** Para evitar o sobreaquecimento, não cubra o aparelho.
- ◆ Este aparelho não deve ser utilizado no exterior.
- ◆ O cabo de alimentação deve ser examinado regularmente quanto a danos e, se estiver danificado, o aparelho não deve ser utilizado.
- ◆ Não utilize nem guarde o aparelho ao ar livre.
- ◆ Não exponha o aparelho à chuva ou a condições de humidade. A água que entrar no aparelho aumentará o risco de choque elétrico.
- ◆ **ADVERTÊNCIA:** Não adormeça enquanto estiver a usar este aparelho, uma vez que existe o risco de danos pessoais
- ◆ As pessoas insensíveis ao calor não devem utilizar o aparelho (já que este tem superfícies aquecidas).
- ◆ Não toque nas partes quentes do aparelho, uma vez que podem provocar queimaduras graves.

Utilização e cuidados:

- ◆ Antes de cada utilização, desenrole completamente o cabo de alimentação do aparelho.
- ◆ Nunca ligue o aparelho sem antes ter enchido a cuba de óleo.
- ◆ Não utilize o aparelho se o dispositivo de ligar/desligar não funcionar.
- ◆ Não desloque a fritadeira quando estiver a funcionar ou quando o óleo estiver ainda quente. Com a fritadeira em frio, movê-la pelas pegas.
- ◆ Utilize a(s) pega(s) para segurar ou transportar o aparelho.
- ◆ Não vire o aparelho ao contrário enquanto estiver a ser utilizado ou ligado à corrente elétrica.
- ◆ Respeite os níveis de MÁXIMO e MÍNIMO.
- ◆ Desligue o aparelho da corrente quando não estiver a ser utilizado e antes de iniciar qualquer operação de limpeza.

- ◆ Este aparelho não está destinado a pessoas (incluindo crianças) que apresentem capacidades físicas, sensoriais ou mentais reduzidas, ou que tenham falta de experiência e conhecimento
- ◆ Não guarde nem desloque o aparelho se ainda estiver quente.
- ◆ Nunca deixe o aparelho ligado sem vigilância e nem ao alcance de crianças, já que se trata de um aparelho eléctrico que aquece o óleo a elevadas temperaturas e pode provocar queimaduras graves.
- ◆ Utilize apenas utensílios apropriados para suportar altas temperaturas.
- ◆ **ADVERTÊNCIA:** Não adormeça enquanto estiver a usar este aparelho, uma vez que existe o risco de danos pessoais
- ◆ Caso sejam utilizados outros materiais gordurosos em vez de óleo, será necessário derretê-los previamente num recipiente à parte.
- ◆ Se o material gorduroso tiver endurecido na fritadeira, faça alguns furos na gordura sólida para permitir que a água possivelmente retida na gordura saia em forma de vapor ao ser aquecida na temperatura mínima do termostato.
- ◆ Se, por algum motivo, o óleo se incendiar, desligue imediatamente o aparelho da corrente e apague o fogo com uma tampa, uma manta ou com um pano de cozinha grande. **NUNCA COM ÁGUA.**

Assistência técnica:

- ◆ Certifique-se de que o serviço de manutenção do aparelho é realizado por pessoal especializado e que, caso o aparelho necessite de consumíveis/peças de substituição, estas sejam de origem.
- ◆ **ADVERTÊNCIA:** Existe risco de incêndio caso a limpeza do aparelho não seja realizada conforme estas instruções.
- ◆ Qualquer utilização inadequada ou em desacordo com as instruções de utilização pode ser perigosa e anula a garantia e a responsabilidade do fabricante.

DESCRIÇÃO

- A Tampa
- B Pega da tampa
- C Janela
- D Termóstato regulador de temperatura
- E Indicador luminoso
- F Botão de reajuste
- G Perfis das guias

- H Unidade de controlo
- I Elemento de aquecimento
- J Recipiente
- K Pega da cesta
- L Apoio para o cesto
- M Cuba para óleo
- N Indicador de nível
- O Corpo
- P Cabo de alimentação
- Q Alojamento do cabo de alimentação
- R Suporte da unidade de controlo

MODO DE UTILIZAÇÃO

Notas para antes da utilização:

- ◆ Certifique-se de que retirou todo o material de embalagem do produto.
- ◆ Antes de utilizar o produto pela primeira vez, limpe as partes em contacto com os alimentos tal como se descreve no capítulo de limpeza.

Enchimento de Óleo:

- ◆ Abra a tampa.
- ◆ Assegure-se de que o conjunto eléctrico está perfeitamente assente numa superfície.
- ◆ Coloque óleo na cuba até à marca que indica o nível MÁXIMO.
- ◆ O aparelho não deve funcionar com menos óleo do que o indicado pelo nível MÍNIMO.

Utilização:

- ◆ Desenrole completamente o cabo antes de o ligar à tomada eléctrica.
- ◆ Ligue o aparelho à corrente eléctrica.
- ◆ Retire o cesto e monte a pega, rodando-a até que as varetas entrem no seu alojamento.
- ◆ Selecione a temperatura de fritura desejada mediante o termóstato de regulação. O indicador luminoso de cor vermelha acende-se, indicando que o óleo está no processo de aquecimento (com a tampa fechada economiza-se energia).
- ◆ Prepare os alimentos a fritar e coloque-os na cesta, assegurando-se que não excedem 2/3 da sua capacidade./ Deixe secar previamente os alimentos antes de os mergulhar na cuba.
- ◆ Se os alimentos estão congelados, encha a cuba de

óleo até metade e introduza os alimentos lentamente no óleo. NOTA: Os alimentos congelados ou com grande conteúdo de água na cuba podem provocar a projeção brusca de óleo para o exterior passados poucos segundos.

- ◆ Durante a utilização do aparelho, o indicador luminoso azul ligar-se-á e desligar-se-á de forma automática, indicando, deste modo, o funcionamento dos elementos de aquecimento para manter a temperatura pretendida.
- ◆ Introduza lentamente o cesto na cuba para evitar extravasamentos e salpicos. Pode fritar com a tampa aberta ou fechada.
- ◆ Quando a fritura estiver no ponto, levante o cesto e pendure-o na borda da cuba para permitir o escorrimento do excesso de óleo dos alimentos.
- ◆ Esvazie o cesto.
- ◆ Mude o óleo, aproximadamente a cada 15 ou 20 frituras, ou a cada 1-2 meses se não utilizar habitualmente.
- ◆ Para minimizar a produção de acrilamida durante o processo de fritura, não deixe que os alimentos adquiram uma cor castanha escura, retire os restos de alimentos queimados da cuba de óleo e processe os alimentos ricos em amido (como as batatas e cereais) a temperaturas inferiores a 170°C.

Uma vez concluída a utilização do aparelho:

- ◆ Selecione a posição mínima (MIN) através do comando seletor da temperatura.
- ◆ Desligue o aparelho da corrente elétrica.
- ◆ Feche a tampa.
- ◆ Deixar arrefecer completamente o aparelho.
- ◆ Limpe o aparelho.

Pega(s) de Transporte:

- ◆ Este aparelho dispõe de uma pega na sua parte lateral para transporte fácil e cómodo.

Conselhos práticos:

- ◆ Para retirar os odores do óleo, frite alguns pedaços de pão.
- ◆ Para alimentos que contêm muita água, é melhor e mais rápido realizar duas frituras com menos quantidade do que uma única fritura. Assim, evita-se o risco de salpicos e extravasamentos.
- ◆ Para conseguir uma fritura uniforme e estaladiça, poder-se-á utilizar o método de "fritura em dois tempos". Este sistema consiste em efetuar uma primeira fritura até que os alimentos estejam bem cozidos e, depois,

fazer uma segunda fritura para dourar os alimentos, com o óleo bem quente.

- ◆ É aconselhável fritar com azeite de acidez mínima.
- ◆ Não misture diferentes tipos de óleo.
- ◆ Para evitar que as batatas se peguem, é conveniente lavá-las antes de as fritar.

Protetor térmico de segurança:

- ◆ Em caso de sobreaquecimento, o dispositivo de segurança térmica entra em ação e o aparelho deixa de funcionar. Quando isto acontecer, desligue o aparelho da corrente elétrica e deixe-o arrefecer. Posteriormente, prima o botão de reposição que está situado na parte posterior do conjunto eléctrico com a ponta de uma caneta ou outro objecto semelhante, de modo a preparar de novo o aparelho para o funcionamento.

LIMPEZA

- ◆ Desligue o aparelho da corrente elétrica e deixe-o arrefecer antes de iniciar qualquer operação de limpeza.
- ◆ Desmonte o aparelho, seguindo os seguintes passos:
- ◆ Retire o cesto e extraia o conjunto eléctrico.
- ◆ Extraia a cuba.
- ◆ Verta cuidadosamente o óleo já utilizado da cuba para um recipiente (não deite para o ralo), de acordo com a norma vigente para o tratamento e eliminação de resíduos.
- ◆ À excepção do grupo de potência e da ligação à rede, todas as peças podem ser limpas com detergente e água ou com detergente para a loiça. Enxágüe bem para remover todos os vestígios de detergente
- ◆ Limpe o aparelho e o cabo eléctrico com um pano húmido e seque-os de seguida. NUNCA MERGULHE O APARELHO OU O CABO ELÉTRICO EM ÁGUA OU EM QUALQUER OUTRO LÍQUIDO.
- ◆ Limpe o aparelho com um pano húmido com algumas gotas de detergente e seque-o de seguida.
- ◆ Não utilize solventes, produtos com um fator pH ácido ou básico como lixívia, nem produtos abrasivos para a limpeza do aparelho.
- ◆ Recomenda-se limpar o aparelho regularmente e retirar todos os restos de alimentos.
- ◆ Se o aparelho não for mantido limpo, a sua superfície pode degradar-se e afetar de forma irreversível a duração da vida do aparelho e conduzir a uma situação de perigo.
- ◆ As seguintes peças podem ser lavadas em água quente com sabão ou na máquina de lavar louça (com um programa suave de lavagem):

- ◆ Recipiente
- ◆ Tampa
- ◆ Cuba
- ◆ A posição de escorrimento/secagem das peças laváveis na máquina ou lava-louças deve permitir o escorrimento da água com facilidade.
- ◆ Em seguida, seque bem todas as peças antes de as montar e guardar.

Consumíveis

- ◆ Os consumíveis (filtros, etc.) para o seu modelo de aparelho poderão ser adquiridos nos distribuidores e estabelecimentos autorizados.
- ◆ Utilize sempre consumíveis de origem, concebidos especificamente para o seu modelo de aparelho.

ANOMALIAS E REPARAÇÃO

- ◆ Em caso de avaria, leve o aparelho a um Serviço de Assistência Técnica autorizado. Não tente desmontar ou reparar o aparelho, já que tal acarreta perigos.

Para as versões EU do produto e/ou caso aplicável no seu país:

Ecologia e reciclagem e do produto

- ◆ Os materiais que constituem a embalagem deste aparelho estão integrados num sistema de recolha, classificação e reciclagem. Se desejar eliminá-los, utilize os contentores de reciclagem colocados à disposição para cada tipo de material.
- ◆ O produto está isento de concentrações de substâncias que possam ser consideradas nocivas para o ambiente.
- ◆ Este aparelho contém ou poderá conter óleo; não esquecer que se devem respeitar os regulamentos relativos à eliminação deste tipo de contaminante.



Este símbolo significa que se desejar desfazer-se do produto depois de terminada a sua vida útil, deve entregá-lo através dos meios

adequados ao cuidado de um gestor de resíduos autorizado para a recolha seletiva de Resíduos de Equipamentos Elétricos e Eletrônicos (REEE)

Este aparelho cumpre a Diretiva 2014/35/EU de Baixa Tensão, a Diretiva 2014/30/EU de Compatibilidade Eletromagnética, a Diretiva 2011/65/EU sobre restrições à utilização de determinadas substâncias perigosas em aparelhos elétricos e eletrônicos e a Diretiva 2009/125/

EC sobre os requisitos de design ecológico aplicável aos produtos relacionados com a energia.

GARANTIA E ASSISTÊNCIA TÉCNICA

Este produto está ao abrigo do reconhecimento e proteção da garantia legal em conformidade com a legislação em vigor. Para fazer valer os seus direitos ou interesses, deve recorrer sempre aos nossos serviços oficiais de assistência técnica.

Poderá encontrar o mais próximo de si através do seguinte website: <http://www.2helpu.com/>. Também pode solicitar informações relacionadas, contacte-nos (ver última página do manual).

Pode fazer o download deste manual de instruções e suas atualizações em <http://www.2helpu.com/>

FRITEUSE BXDF2100E

Geachte klant:

We danken u voor de aankoop van een product van het merkBLACK+DECKER. De technologie, het ontwerp en de functionaliteit van dit product, dat voldoet aan de meest strikte kwaliteitseisen, staan garant voor langdurige tevredenheid.

- ◆ Neem deze gebruiksaanwijzing aandachtig door voordat u het apparaat in gebruik neemt en bewaar haar voor toekomstig gebruik. Het niet opvolgen en naleven van deze instructies kan een ongeluk tot gevolg hebben.

VEILIGHEIDSADVIEZEN EN WAARSCHUWINGEN

- ◆ Maak voor het eerste gebruik alle delen van het apparaat die met voedingsmiddelen in aanraking kunnen komen schoon, zoals aangegeven in het onderdeel Reiniging.
- ◆ Dit apparaat is alleen bedoeld voor huishoudelijk gebruik, niet voor professioneel of industrieel gebruik. Het is niet bedoeld voor gebruik in het hotelwezen, zoals bed and breakfast instellingen, hotels, motels, of residenties, noch in vakantiehuizen, keukens voor winkelpersoneel, kantoren, of in andere professionele voorzieningen.
- ◆ Het apparaat mag niet door kinderen gebruikt worden.
- ◆ Dit apparaat kan gebruikt worden door kinderen van 8 jaar en ouder, als deze continu onder toezicht staan.
- ◆ Dit apparaat mag alleen gebruikt worden door personen met lichamelijke, zintuiglijke of geestelijke beperkingen, of met een gebrek aan ervaring en kennis, als zij voor het gebruik van dit apparaat onder toezicht staan of passende training hebben ontvangen voor veilig gebruik en zij de mogelijke gevaren begrijpen.
- ◆ Houd het apparaat en de aansluiting op het lichtnet altijd buiten het bereik van kinderen jonger dan 8 jaar.
- ◆ De reiniging en het onderhoud van het apparaat mag niet door kinderen verricht worden.
- ◆ Dit apparaat is geen speelgoed. Houd toezicht op kinderen om er zeker van te zijn dat ze niet met het apparaat spelen.
- ◆ Plaats het apparaat op een horizontaal, vlak en stabiel oppervlak, waarbij men de eventuele handgrepen moet oriënteren om het gevaar op het morsen van hete vloeistoffen te minimaliseren.
- ◆ Sluit het apparaat nooit aan op een programmeur, timer of een ander mechanisme dat het apparaat automatisch kan inschakelen.
- ◆ Wanneer de voedingskabel beschadigd is, moet hij worden vervangen. Breng het apparaat naar een erkende Technische Service. Probeer het

apparaat niet zelf te demonteren of repareren om risico's te vermijden.



◆ De temperatuur van de uitwendige oppervlakken kan hoog zijn als het apparaat in gebruik is.

- ◆ Controleer dat de spanningsgegevens op het typeplaatje overeenkomen met die van het lichtnet alvorens het apparaat erop aan te sluiten.
- ◆ Sluit het apparaat aan op een stopcontact met randaarde en een capaciteit van tenminste 10 Ampère.
- ◆ De stekker van het apparaat moet geschikt zijn voor het stopcontact. Wijzig de stekker niet. Gebruik geen adapters.
- ◆ Forceer de elektriciteitskabel niet. Gebruik de kabel nooit om het apparaat op te tillen, te transporteren of om de stekker uit het stopcontact te trekken.
- ◆ Wikkel de elektriciteitskabel niet om het apparaat.
- ◆ Zorg ervoor dat de elektriciteitskabel niet bekneld raakt of geknikt wordt.
- ◆ Zorg ervoor dat de elektriciteitskabel niet in contact komt met de hete oppervlakken van het apparaat.
- ◆ Zorg ervoor dat de elektriciteitskabel niet van de tafel afhangt of in contact komt met de hete oppervlakken van het apparaat.
- ◆ Controleer de staat van de elektriciteitskabel. Beschadigde kabels of kabels die in de war zijn vergroten het risico van elektrische schokken.
- ◆ Het wordt aanbevolen een differentiële schakelaar te installeren met een maximale gevoeligheid van 30 mA als extra beveiliging van de elektrische voeding. Vraag een bevoegde elektricien om advies.
- ◆ Raak de stekker niet met natte handen aan.
- ◆ Gebruik het apparaat niet wanneer de elektriciteitskabel of de stekker beschadigd is.
- ◆ Als een deel van de behuizing beschadigd wordt, moet u de stekker van het apparaat onmiddellijk uit het stopcontact trekken om een elektrische schok te voorkomen.
- ◆ Gebruik het apparaat niet als het is gevallen, wanneer er zichtbare tekenen van schade zijn of wanneer het lekt.
- ◆ Zorg dat het werkblad schoon en goed verlicht is. Wanordelijke en donkere zones werken ongelukken in de hand.
- ◆ Gebruik het apparaat in een goed geventileerde ruimte.
- ◆ Plaats het apparaat niet op hete oppervlakken zoals kookplaten, gasbranders, ovens of dergelijke.
- ◆ Plaats het apparaat niet in een oven of soortgelijke

apparaten.

- ◆ Houd kinderen en nieuwsgierigen uit de buurt terwijl u dit apparaat gebruikt.
- ◆ Plaats het apparaat op een horizontaal, vlak en stabiel oppervlak dat bestand is tegen hoge temperaturen, ver verwijderd van andere warmtebronnen en eventueel spattend water.
- ◆ Plaats het apparaat ver van brandbare materialen zoals textiel, karton en papier.
- ◆ Plaats het apparaat voor gebruik op een vlak en stabiel oppervlak. Plaats het nooit op karton, keukendoeken of soortgelijke materialen; dit is gevaarlijk en kan de goede werking van het apparaat nadeling beïnvloeden.
- ◆ **WAARSCHUWING:** Bedek het apparaat niet om oververhitting te voorkomen.
- ◆ Dit apparaat is niet geschikt voor gebruik buitenshuis.
- ◆ Controleer regelmatig dat de kabel niet beschadigd is. Gebruik het apparaat niet als de kabel beschadigd is.
- ◆ Bewaar of gebruik het apparaat niet buitenshuis.
- ◆ Stel het apparaat niet aan regen of vochtigheid bloot. Water dat in het apparaat komt vergroot het risico van een elektrische schok.
- ◆ **WAARSCHUWING:** Val tijdens het gebruik van dit apparaat niet in slaap; hierdoor kan schade ontstaan.
- ◆ Personen die ongevoelig zijn voor warmte moeten het apparaat niet gebruiken (aangezien het apparaat oppervlakken heeft die heet worden).
- ◆ Raak de verhitte delen van het apparaat niet aan, aangezien daardoor brandwonden kunnen ontstaan.

Gebruik en onderhoud:

- ◆ Rol voor gebruik de voedingskabel van het apparaat volledig af.
- ◆ Zet het apparaat nooit aan zonder eerst de bak met olie te hebben gevuld.
- ◆ Gebruik het apparaat niet als de aan/uit knop niet werkt.
- ◆ Verplaats de friteuse niet wanneer ze aanstaat of wanneer de olie nog warm is. Wanneer de friteuse afgekoeld is, kunt u haar verplaatsen door gebruik te maken van de handgrepen.
- ◆ Gebruik de handgreep/handgrepen om het apparaat op te tillen of te verplaatsen.
- ◆ Keer het apparaat niet om terwijl het in gebruik is of aangesloten is op het lichtnet.
- ◆ Respecteer het MAXIMUM- en MINIMUM-niveau.
- ◆ Haal de stekker uit het stopcontact wanneer het apparaat niet in gebruik is en voordat u het reinigt.
- ◆ Houd dit apparaat buiten bereik van kinderen en/of personen met lichamelijke, zintuiglijke of geestelijke beperkingen, of met een gebrek aan ervaring en kennis.

- ◆ Transporteer het apparaat niet als het nog warm is.
- ◆ Laat het apparaat nooit zonder toezicht werken en houd het buiten bereik van kinderen, aangezien dit een elektrisch apparaat is dat olie verhit tot hoge temperaturen, hetgeen ernstige brandwonden kan veroorzaken.
- ◆ Gebruik alleen keukengerei dat geschikt is voor hoge temperaturen.
- ◆ **WAARSCHUWING:** Val tijdens het gebruik van dit apparaat niet in slaap; hierdoor kan schade ontstaan.
- ◆ Indien frituurvet in plaats van frituurolie wordt gebruikt, dient dit vooraf eerst in een aparte pan te worden gesmolten.
- ◆ Indien het vet in de bak hard is geworden, moet u een paar gaatjes in het harde vet te maken zodat het water dat zich nog in het vet bevindt kan verdampen wanneer u de thermostaat op de minimum stand zet.
- ◆ Indien de olie vlam vat, om welke reden dan ook, trek de stekker van het apparaat uit het stopcontact en doof het vuur met het deksel, een deken of een grote keuken-doek. **BLUS NOOIT MET WATER.**

Reparaties:

- ◆ Verzeker u ervan dat het onderhoud van het apparaat door een deskundige wordt uitgevoerd en dat de eventuele te vervangen onderdelen origineel zijn.
- ◆ **WAARSCHUWING:** Er bestaat brandgevaar als het apparaat niet volgens deze instructies wordt gereinigd.
- ◆ Onjuist gebruik of een gebruik dat niet overeenstemt met de gebruiksaanwijzing kan gevaar opleveren en doet de garantie en de aansprakelijkheid van de fabrikant teniet.

BESCHRIJVING

- A Deksel
- B Handvat deksel
- C Raam
- D Thermostaatknop
- E Indicatielampje
- F Ontgrendelingsknop
- G Geleidingsprofielen
- H Bedieningspaneel
- I Verwarmingselement
- J Mand
- K Handgreep van de mand
- L Steun voor frituurmand
- M Binnenpan voor olie
- N Niveau-indicator
- O Romp
- P Aansluiting lichtnet

- Q Vak voedingskabel
- R Bedieningspaneel

GEBRUIKSAANWIJZING

Opmerkingen voorafgaand aan het gebruik:

- ◆ Controleer dat al het verpakkingsmateriaal van het product verwijderd is.
- ◆ Reinig voor het eerste gebruik alle delen van het apparaat die met voedingsmiddelen in aanraking kunnen komen, zoals aangegeven in het onderdeel Reiniging.

Oliefvullen:

- ◆ Open het deksel.
- ◆ Zorg ervoor dat het elektrische apparaat goed staat.
- ◆ Vul de binnenpan met olie tot het MAXIMUM-niveau.
- ◆ Gebruik het apparaat niet als de olie onder het MINIMUM niveau staat.

Gebruik:

- ◆ Rol de kabel helemaal af alvorens de stekker in het stopcontact te steken.
- ◆ Steek de stekker in het stopcontact.
- ◆ Haal het frituurmandje uit de pan en plaats het handvat door te draaien tot de staafjes in het gaatje vastzitten.
- ◆ Selecteer de gewenste frituurtemperatuur met de thermostaatknop. Het rode controlelampje gaat branden en geeft aan dat de olie aan het opwarmen is (sluit het deksel om energie te besparen).
- ◆ Bereid de te frituren ingrediënten en plaats ze in de mand, waarbij deze niet meer dan 2/3 gevuld moet worden. Laat het de ingrediënten uitlekken alvorens ze in de binnenpan onder te dompelen.
- ◆ Wanneer de ingrediënten bevroren zijn, moet u de bak tot de helft vullen met olie en de ingrediënten langzaam in de olie onderdompelen. **OPMERKING:** als u bevroren ingrediënten of ingrediënten met een hoog watergehalte in de bak plaatst, kan er na een paar seconden olie naar buiten spatten.
- ◆ Tijdens het gebruik zal het controlelampje automatisch aan en uit gaan, wat aangeeft dat de verwarmingselementen de juiste temperatuur behouden.
- ◆ Plaats de mand langzaam in de bak om overlopen en spatten te voorkomen. U kunt naar eigen inzicht met of zonder deksel bakken.
- ◆ Wanneer de gerechten gereed zijn, kunt u de mand optillen en haar op de houder plaatsen zodat het teveel aan olie kan afdruipe.

- ◆ Leeg de mand.
- ◆ Ververs de olie na ongeveer 15 of 20 keer, of elke 1-2 maanden indien u de fritouse niet regelmatig gebruikt.
- ◆ Om de vorming van acrylamide tijdens het frituren te minimaliseren moet u erop letten dat de frituur niet donkerbruin kleurt, resten uit de oliebak verwijderen en voedsel dat rijk is aan proteïnen (zoals aardappelen en maïs) op een temperatuur onder de 170°C bereiden.

Na gebruik van het apparaat:

- ◆ Zet de temperatuurregelaar in de laagste stand (MIN).
- ◆ Trek de stekker uit het stopcontact.
- ◆ Sluit het deksel.
- ◆ Laat het apparaat geheel afkoelen.
- ◆ Reinig het apparaat.

Handvat(en) voor transport:

- ◆ Dit apparaat beschikt over handvaten aan de zijkant voor een gemakkelijk en comfortabel transport.

Praktische tips:

- ◆ Om de geur van de olie te verwijderen kunt u een paar stukjes brood frituren.
- ◆ Voor etenswaren die veel water bevatten is het beter en efficiënter tweemaal een kleine hoeveelheid dan eenmaal een grote hoeveelheid te frituren. Hierdoor wordt de kans op spatten en overlopen ook verminderd.
- ◆ Voor een uniform en knapperig resultaat kunt u de "dubbele frituurmethode" toepassen. Dit systeem bestaat eruit het voedsel eerst te frituren tot het bijna klaar is, en daarna nogmaals, met zeer hete olie, om het een goudbruine kleur te geven.
- ◆ Het is raadzaam olijfolie met een laag zuurgehalte te gebruiken.
- ◆ Meng geen olie van verschillende kwaliteit.
- ◆ Was aardappelen vóór het frituren om te voorkomen dat de partjes aan elkaar gaan plakken.

Thermische beveiliging:

- ◆ Bij oververhitting wordt de thermische beveiliging geactiveerd en zal het apparaat uitschakelen. Trek in dit geval de stekker van het apparaat uit het stopcontact en laat het afkoelen. Daarna kunt u met de punt van een balpen of een ander scherp voorwerp op de resetknop op de achterkant van het apparaat drukken, zodat het apparaat weer geactiveerd wordt.

REINIGING

- ◆ Trek de stekker uit het stopcontact en laat het apparaat afkoelen alvorens het te reinigen.
- ◆ Volg deze stappen om het apparaat te demonteren:
- ◆ Verwijder de mand en de elektrische eenheid.
- ◆ Verwijder de bak.
- ◆ Giet de gebruikte olie voorzichtig in een bak (niet in de gootsteen) en volg de van toepassing zijnde regels voor afvalverwijdering en -verwerking op.
- ◆ Behalve het aggregaat en de metaansluiting, kunnen alle onderdelen worden gereinigd met afwasmiddel en water of in afwasmiddel. Grondig spoelen om alle sporen van wasmiddel te verwijderen
- ◆ Maak het elektrische systeem en de stekker schoon met een vochtige doek en droog ze af. **DOMPEL DE ONDERDELEN NOOIT IN WATER OF EEN ANDERE VLOEISTOF ONDER.**
- ◆ Maak het apparaat schoon met een vochtige doek met een paar druppels afwasmiddel en droog het daarna goed af.
- ◆ Gebruik geen oplosmiddelen of producten met een zure of basische pH zoals bleekwater, noch schuurmiddelen, om het apparaat schoon te maken.
- ◆ Het is raadzaam het apparaat geregeld schoon te maken en alle voedselresten te verwijderen.
- ◆ Indien het apparaat niet goed schoongehouden wordt, kan het oppervlak beschadigd en de levensduur van het apparaat verkort worden, en kan er een gevaarlijke situatie ontstaan.
- ◆ De volgende onderdelen mogen met warm zeepsop schoongemaakt worden of in de vaatwasser geplaatst worden (op een zacht wasprogramma):
 - ◆ Mand
 - ◆ Deksel
 - ◆ Bak
- ◆ Plaats de schoongemaakte delen zodanig in de vaatwasser of het afdruiprek dat het water makkelijk kan weglopen.
- ◆ Droog alle onderdelen goed af alvorens het apparaat opnieuw te monteren en op te bergen.

Onderdelen

- ◆ Onderdelen (zoals filters) voor het door u gebruikte model zijn verkrijgbaar bij erkende distributeurs en winkels.
- ◆ Gebruik altijd originele onderdelen, specifiek ontworpen voor het door u gebruikte model.

STORINGEN EN REPARATIE

- ◆ Breng het apparaat bij storing naar een erkende Technische Service. Probeer het apparaat niet zelf te demonteren of te repareren, want dit kan gevaarlijk zijn.

Voor EU-versies van het product en/of indien van toepassing in uw land:

Ecologie en hergebruik van het product

- ◆ Het verpakkingsmateriaal van dit apparaat is geschikt voor inzameling, classificatie en hergebruik. U kunt dit materiaal wegwerpen in de openbare afvalcontainers die voor de desbetreffende materialen bestemd zijn.
- ◆ Het product bevat geen stoffen in concentraties die als schadelijk voor het milieu beschouwd kunnen worden.
- ◆ Het apparaat bevat olie of kan olie bevatten. Houd rekening met de geldende normen aangaande de afvoer van dit soort afvalstoffen.



Dit symbool betekent dat u het product aan het eind van zijn levenscyclus moet afgeven aan een erkende afvalverwerker voor de gescheiden verwerking van Afgedankte Elektrische en Elektronische Apparatuur (AEEA)

Dit apparaat voldoet aan de laagspanningsrichtlijn 2014/35/EU, de richtlijn 2014/30/EU met betrekking tot elektromagnetische compatibiliteit, de richtlijn 2011/65/EU met betrekking tot beperkingen in de toepassing van bepaalde gevaarlijke stoffen in elektrische en elektronische apparaten en de richtlijn 2009/125/EG met betrekking tot de eisen inzake het ecologisch ontwerp van energie-geregelde producten.

GARANTIE EN TECHNISCHE ONDERSTEUNING

Dit product valt onder de legale garantievoorzieningen zoals bepaald in de actuele wetgeving. Om een beroep te doen op uw rechten of aanspraken kunt u contact opnemen met onze officiële technische service.

U kunt de dichtstbijzijnde technische service vinden op de website: <http://www.2helpu.com/>. Voor verdere informatie kunt u ook contact met ons opnemen (zie de laatste bladzijde van de gebruiksaanwijzing).

U kunt deze gebruiksaanwijzing en eventuele actualiseringen ervan downloaden via <http://www.2helpu.com/>

FRYTKOWNICA BXDF2100E

Szanowny Kliencie,

Serdecznie dziękujemy za zdecydowanie się na zakup sprzętu gospodarstwa domowego marki BLACK+DECKER. Jego technologia, forma i funkcjonalność, jak również fakt, że spełnia on wszelkie normy jakości, dostarczy Państwu pełnej satysfakcji przez długi czas.

- ◆ Przeczytać uważnie instrukcję przed uruchomieniem urządzenia i zachować ją w celu późniejszych konsultacji. Niedostosowanie się i nieprzestrzeganie niniejszych instrukcji może doprowadzić do wypadku.

PORADY I OSTRZEŻENIA DOTYCZĄCE BEZPIECZEŃSTWA

- ◆ Przed pierwszym użyciem należy umyć wszystkie części urządzenia, które mogą mieć kontakt z pokarmami, postępując zgodnie z instrukcją.
- ◆ Urządzenie to zaprojektowane zostało wyłącznie do użytku domowego, a nie do użytku profesjonalnego czy przemysłowego. Urządzenie jest przeznaczone tylko do użytku domowego. Nie należy używać w celach industrialnych czy profesjonalnych. Nie jest zaprojektowane do użytku w hotelach, motelach, hostelach, biurach, pensjonatach i tym podobnym.
- ◆ Urządzenie nie może być używane przez dzieci poniżej 8 lat.
- ◆ To urządzenie może być używane przez dzieci powyżej 8 lat i starsze, jeśli cały czas są pod nadzorem.
- ◆ Urządzenie może być używane przez osoby niezapoznane z tego typu produktem, osoby niepełnosprawne, tylko i wyłącznie pod kontrolą dorosłych zapoznanym z tego typu sprzętem.
- ◆ Konserwacja urządzenia i podłączenie go do sieci nie mogą być wykonywane przy dzieciach młodszych niż 8 lat.
- ◆ Czyszczenie i konserwacja urządzenia nie powinny być wykonywane przez dzieci bez nadzoru dorosłych.
- ◆ To urządzenie nie jest zabawką. Dzieci powinny pozostać pod czujną opieką w celu zagwarantowania iż nie bawią się urządzeniem.
- ◆ Ustawić urządzenie na równej poziomej powierzchni z uchwytami, jeśli posiada, aby zapobiec rozlaniu się gorących płynów.
- ◆ Nie należy używać z urządzeniami automatycznymi jak czasomierze lub podobne, które włączyłyby urządzenie automatycznie.
- ◆ W razie awarii zanieść produkt do autoryzowanego Serwisu Technicznego. Nie próbować rozbierać urządzenia ani go naprawiać, ponieważ może to być niebezpieczne.



- ◆ Temperatura dostępnych powierzchni może ulec podniesieniu, kiedy urządzenie jest podłączone do sieci.

- ◆ Przed podłączeniem urządzenia do sieci, sprawdzić czy napięcie wskazane na tabliczce znamionowej odpowiada napięciu sieci.
- ◆ Podłączyć urządzenie do gniazdka z uziemieniem o natężeniu, co najmniej 10 amperów.
- ◆ Wtyczka urządzenia powinna być zgodna z podstawą elektryczną gniazdka. Nigdy nie modyfikować wtyczki. Nie używać przejściówek dla wtyczki.
- ◆ Nie napinać kabla połączeniowego. Nie używać nigdy kabla elektrycznego do podnoszenia, przenoszenia ani wyłączania urządzenia.
- ◆ Nie związać przewodu zasilającego wokół urządzenia.
- ◆ Nie pozostawiać, by kabel elektryczny podłączenia został schwytyany lub pomarszczony.
- ◆ Nie pozwolić, aby przewód zasilający był w kontakcie z gorącymi powierzchniami urządzenia.
- ◆ Kabel podłączony nie może być w kontakcie z gorącymi powierzchniami urządzenia.
- ◆ Sprawdzać stan elektrycznego kabla połączeń. Uszkodzone czy zaplątane kable zwiększają ryzyko porażenia prądem.
- ◆ Zaleca się stosowanie dodatkowej ochrony instalacji elektrycznej zasilającej urządzenie w postaci urządzenia różnicowoprądowego o maksymalnej czułości 30mA. Poprosić o radę kompetentnego instalatora.
- ◆ Nie dotykać wtyczki mokrymi rękoma.
- ◆ Nie używać urządzenia, gdy kabel elektryczny lub wtyczka jest uszkodzona.
- ◆ Jeśli popęka jakiś element obudowy urządzenia, natychmiast wyłączyć urządzenie z prądu, aby uniknąć porażenia prądem.
- ◆ Nie używać urządzenia, jeśli ono upadło czy kiedy występują widoczne oznaki uszkodzenia, albo jeśli istnieje wycieki.
- ◆ Używać urządzenie tylko w miejscach czystych i dobrze oświetlonych. W przeciwnym razie istnieje ryzyko wypadków.
- ◆ Używać urządzenie w strefie z dobrą wentylacją.
- ◆ Nie kłaść urządzenia na gorących powierzchniach takich jak płyty grzejne, palniki gazowe piekarniki i podobne urządzenia.
- ◆ Nie umieszczać urządzenia wewnątrz piekarnika lub tym podobnym.
- ◆ Przy pracy z tym urządzeniem z dala pozostawać powinny dzieci i inne osoby.
- ◆ Umieścić urządzenie na powierzchni płaskiej, stabilnej, z dala od źródeł gorąca i chronić przed ochlapaniem wodą.
- ◆ Umieścić urządzenie z daleka od materiałów łatwopalnych, takich jak tkaniny, karton, papier...
- ◆ Urządzenie powinno być ustawiane i używane na powierzchni płaskiej i stabilnej. Nigdy nie należy używać kartonów, szmat kuchennych ani podobnych przedmiotów, ponieważ mogą one stanowić zagrożenie i wpływać na prawidłowe działanie urządzenia.
- ◆ OSTRZEŻENIE: Aby uniknąć przegrzania nie przykrywać urządzenia.
- ◆ Urządzenie nie jest przystosowane do używania na zewnątrz.
- ◆ Przewód zasilający musi być sprawdzany regularnie w celu poszukiwania oznak uszkodzenia, jeśli jest uszkodzony, urządzenie nie może być używane.
- ◆ Nie używać, ani nie przechowywać urządzenia na zewnątrz.
- ◆ Nie wystawiać urządzenia na deszcz ani narażać na warunki wilgotności. Woda, która dostanie się do urządzenia zwiększy ryzyko porażenia prądem.
- ◆ OSTRZEŻENIE: Należy uważać, aby w trakcie używania urządzenia nie zasnąć, ponieważ istnieje ryzyko uszkodzenia.
- ◆ Nie powinny używać aparatu osoby nie wrażliwe na gorąco (urządzenie posiada nagrzewające się powierzchnie).
- ◆ Nie dotykać części grzejnych, gdyż może to spowodować poważne oparzenia.

Używanie i konserwacja:

- ◆ Przed każdym użyciem, rozwinąć całkowicie przewód zasilania urządzenia.
- ◆ Nie podłączać nigdy urządzenia przed napełnieniem miski olejem.
- ◆ Nie używać urządzenia, jeśli nie działa przycisk ON/OFF.
- ◆ Nie przemieszczać urządzenia w momencie, kiedy jest włączone lub, kiedy znajdujący się w nim olej jest jeszcze gorący. Przenosić frytkownicę, kiedy jest zimna za pomocą uchwytów (Rys).
- ◆ Aby przenosić urządzenia, należy używać uchwytów.
- ◆ Nie obracać urządzenia, kiedy jest ono w użyciu lub kiedy jest podłączone do sieci.
- ◆ Przestrzegać poziomów MAX i MIN.
- ◆ Wyłączać urządzenie z prądu, jeśli nie jest ono używane i przed przystąpieniem do jakiegokolwiek czyszczenia.
- ◆ Przechowywać urządzenie w miejsce niedostępnym dla dzieci i/lub osób o ograniczonych zdolnościach fizycznych, dotykowych lub mentalnych oraz nie posiadających doświadczenia lub znajomości tego typu urządzeń.
- ◆ Nie chować ani też nie transportować urządzenia jeśli jest jeszcze gorące.
- ◆ Nie pozostawiać urządzenia bez nadzoru, kiedy jest ono używane i utrzymywać z dala od dzieci, jako że

jest to urządzenie elektryczne, które podgrzewa olej do wysokiej temperatury i może doprowadzić do poważnych oparzeń.

- ◆ Używać narzędzi odpornych na wysokie temperatury.
- ◆ **OSTRZEŻENIE:** Należy uważać, aby w trakcie używania urządzenia nie zasnąć, ponieważ istnieje ryzyko uszkodzenia.
- ◆ W przypadku stosowania tłuszczu zamiast oleju, rozpuścić go wcześniej w oddzielnym naczyniu.
- ◆ Jeśli tłuszcz zgęstniał w naczyniu, zrobić kilka dziurek w stałym tłuszczu w celu wypuszczenia wody, która została zatrzymana w tłuszczu, by mogła ona wypłynąć strumieniem przy podgrzewaniu przy minimalnej temperaturze termostatu.
- ◆ Jeśli z jakiegokolwiek powodu olej zapaliłby się, wyłączyć urządzenie z sieci i stłumić ogień używając pokrywy, koca lub dużego ręcznika. **NIGDY NIE UŻYWAĆ WODY.**

Serwis techniczny:

- ◆ Należy upewnić się, że serwis urządzenia jest przeprowadzony przez wykwalifikowany personel, i że części zamienne są oryginalne.
- ◆ **OSTRZEŻENIE:** Istnieje możliwość zagrożenia pożarem, jeśli urządzenie nie będzie używane zgodnie z instrukcją obsługi.
- ◆ Wszelkie niewłaściwe użycie lub niezgodne z instrukcją obsługi może doprowadzić do niebezpieczeństwa, anulując przy tym gwarancję i odpowiedzialność producenta.

OPIS

- A Pokrywa
- B Uchwyt pokrywy
- C Okno
- E Termostat - regulator temperatury
- E Lampka kontrolna
- F Przycisk Reset
- G Profile przewodnic
- H Element sterowania
- I Grzałka
- J Koszyk
- K Uchwyt koszyka
- L Oparcie dla koszyka
- M Miska olejowa
- N Wskaźnik poziomu
- O Korpus
- P Wtyczka
- Q Wnęk na kabel podłączeniowy

R Podstawa panelu kontrolnego

SPOSÓB UŻYCIA

Uwagi przed użyciem:

- ◆ Upewnić się, że z opakowania zostały wyjęte wszystkie elementy urządzenia.
- ◆ Przed pierwszym użyciem należy umyć wszystkie części urządzenia, które mogą mieć kontakt z pokarmami, postępując zgodnie z instrukcją.

Wlewanie oleju:

- ◆ Otworzyć pokrywę
- ◆ Upewnić się, że całość urządzenia jest poprawnie ustawiona w bazie.
- ◆ Wlać olej do znaku poziomu **MAKSYMALNEGO** w misce.
- ◆ Nie można używać urządzenia, jeśli ilość oleju jest poniżej znaku poziomu **MINIMALNEGO**.

Użycie:

- ◆ Całkowicie rozwinąć kabel przed podłączeniem urządzenia.
- ◆ Podłączyć urządzenie do prądu.
- ◆ Wyjąć koszyk i założyć rączkę wkładając ją tak, by pręty weszły w osłonę.
- ◆ Wybrać odpowiednią temperaturę smażenia za pomocą sterownika termostatu. Światelko wskaźnika nagrzewania zapali się na czerwono, co będzie oznaczać, że ma miejsce podgrzewanie oleju (zamknąć pokrywę w celu oszczędzenia energii).
- ◆ Przygotować potrawy, które mają być smażone i umieścić je w koszyku, upewnić się też, czy nie przekracza się 2/3 pojemności koszyka. Przed włożeniem/m potraw do koszyka pozwolić, by się one osuszyły.
- ◆ Jeśli jedzenie jest zamrożone, napełnić miskę olejową do połowy i powoli włożyć jedzenie do oleju. Zanurzenie w misce produktów zamrożonych lub z dużą ilością wody może spowodować rozpryskiwanie się oleju przez kilka sekund.
- ◆ W trakcie pracy urządzenia zielona lampka kontrolna włącza się i wyłącza automatycznie, wskazując funkcjonowanie elementów grzewczych utrzymujących żądaną temperaturę.
- ◆ Włożyć powoli koszyk do miski w celu uniknięcia przelania i ochłapania. Smażyć z przykrywką lub bez.
- ◆ Po zakończeniu smażenia, unieść koszyk i umieścić go na podstawce, aby odsączyć nadmiar oleju z pożywienia.

- ◆ Opróżnić koszyk.
- ◆ Wymieniać olej po około 15 lub 20 smażeniach, lub co 1 – 2 miesiące, jeśli urządzenie nie jest używane często.
- ◆ Aby uniknąć produkcji szkodliwych dla zdrowia związków podczas smażenia, nie wolno doprowadzić, by żywność nabrała ciemno-brązowego koloru, należy zawsze usuwać resztki żywności z pojemnika na olej i nie należy smażyć produktów bogatych w skrobię (jak ziemniaki i produkty zbożowe) w temperaturze wyższej niż 170°C.

Po zakończeniu korzystania z urządzenia:

- ◆ Wybrać po. pozycję temperatury minimalnej (MIN) używając pokrętle regulacji temperatury.
- ◆ Wyłączyć z sieci elektrycznej.
- ◆ Zamknąć pokrywę.
- ◆ Począkać, aż urządzenie całkowicie się schłodzi.
- ◆ Wyczyścić urządzenie.

Uchwyt/ły do przenoszenia:

- ◆ Urządzenie to posiada uchwyt w części bocznej służący do łatwego i wygodnego jego przemieszczania.

Zalecenia praktyczne:

- ◆ Usmażyć kilka kawałków chleba w celu usunięcia zapachu użytego oleju.
- ◆ Niektóre produkty, zawierające dużo wody, lepiej i szybciej jest smażyć na dwa razy i w mniejszych ilościach. Zmniejsza się wówczas ryzyko przelania lub ochłapania się.
- ◆ Aby pożywienie było jednolite i chrupiące, lepiej jest użyć funkcji "smażenie na dwa razy". System ten polega na pierwszym smażeniu do momentu, kiedy produkty są dość podsmażone oraz drugim smażeniu w bardzo gorącym oleju, aby nadać im złotego koloru.
- ◆ Zaleca się używanie oleju o minimalnej kwasowości.
- ◆ Nie mieszać olejów różnych jakości.
- ◆ Aby uniknąć sklejanias się ziemniaków zaleca się umyć ich przed smażeniem.

Ochrona przed przegrzaniem:

- ◆ W przypadku przegrzania uruchamiane zostaje bezpieczeństwo ciepłne i urządzenie przestanie działać. Kiedy będzie to miało miejsce należy wyłączyć urządzenie z prądu i pozostawić do ochłodzenia. Następnie nacisnąć na przycisk ponownego załadowania znajdujący się w tylnej części zespołu elektrycznego końcówką długopisu lub podobnego przedmiotu w celu ponownego uruchomienia urządzenia.

CZYSZCZENIE

- ◆ Odłączyć urządzenie z sieci i pozostawić aż do ochłodzenia przed przystąpieniem do jakiegokolwiek czyszczenia.
- ◆ Zdemontować urządzenie postępując jak niżej:
- ◆ Wyjąć koszyczek i wyjąć zespół elektryczny
- ◆ Wyjąć kuwetę
- ◆ Przelać ostrożnie używany już olej z miski do naczynia (nie do frytkownicy), według obowiązującej normy obróbki i eliminowania ścieków.
- ◆ Z wyjątkiem zasilacza i przyłącza sieciowego, wszystkie części można czyścić detergentem i wodą lub płynem do mycia naczyń. Dokładnie spłucz, aby usunąć wszelkie ślady detergentu
- ◆ Czyścić zespół elektryczny i wtyczkę wilgotną ściereczką i po czym zaraz wysuszyć. NIE ZANURZAĆ NIGDY W WODZIE ANI W INNEJ CIECZY.
- ◆ Czyścić urządzenie wilgotną szmatką zmoczoną kilkoma kroplami płynu i następnie osuszyć.
- ◆ Nie używać do czyszczenia urządzenia rozpuszczalników, ani produktów z czynnikiem pH takich jak chlor, ani innych środków żrących.
- ◆ Zaleca się regularne czyszczenie urządzenia i usuwanie z niego pozostałości produktów żywnościowych.
- ◆ Jeśli urządzenie nie jest utrzymywane w stanie czystości, jego powierzchnia może się zniszczyć i skrócić żywotność urządzenia i doprowadzić do niebezpiecznych sytuacji.
- ◆ Poniższe części można myć w ciepłej wodzie z mydłem lub w zmywarce (ustawiając najniższy program):
- ◆ Koszyk
- ◆ Przykrywka
- ◆ Miska
- ◆ Po myciu ręcznym lub w zmywarce, należy umieścić części w taki sposób, aby woda spłynęła z nich bez przeszkód.
- ◆ Wysuszyć wszystkie elementy przed ponownym montażem.

Materiały eksploatacyjne

- ◆ Części zużywalne do tego modelu urządzenia (takie jak filtry...) nabyć można u dystrybutorów i w autoryzowanych punktach sprzedaży.
- ◆ Należy zawsze używać oryginalnych części, specjalnie zaprojektowanych do tego modelu urządzenia.

NIEPRAWIDŁOWOŚCI I NAPRAWA

- ◆ - W razie awarii zanieść urządzenie do autoryzowanego Serwisu Technicznego. Nie próbować rozbierać urządzenia ani go naprawiać, ponieważ może to być niebezpieczne.

Dla urządzeń wyprodukowanych w Unii Europejskiej i w przypadku wymagań prawnych obowiązujących w danym kraju:

Ekologia i zarządzanie odpadami

- ◆ Materiały, z których wykonane jest opakowanie tego urządzenia, znajdują się w ramach systemu zbierania, klasyfikacji oraz ich odzysku. Jeżeli chcecie Państwo się ich pozbyć, należy umieścić je w kontenerze przeznaczonym do tego typu materiałów.
- ◆ Produkt nie zawiera koncentracji substancji, które mogłyby być uznane za szkodliwe dla środowiska.
- ◆ To urządzenie zawiera lub może zawierać olej, należy pamiętać o przestrzeganiu praw regulujących usuwanie tego typu zanieczyszczeń.



Symbol ten oznacza, że jeśli chcecie się Państwo pozbyć tego produktu po zakończeniu okresu jego użytkowania, należy go przekazać przy zastosowaniu określonych środków do autoryzowanego podmiotu zarządzającego odpadami w celu przeprowadzenia selektywnej zbiórki Odpadów Urządzeń Elektrycznych i Elektronicznych (WEEE)

Urządzenie spełniające wymogi Ustawy 2014/35/EU o Niskim Napięciu, Ustawy 2014/30/EU o Zgodności Elektromagnetycznej, Ustawy 2011/65/EU o gospodarce odpadami elektrycznymi i elektronicznymi i ustawy 2009/125/EC o urządzeniach konsumujących energię.

GWARANCJA I SERWIS TECHNICZNY

Ten produkt jest uznawany i chroniony prawną gwarancją zgodnie z obowiązującymi przepisami. W celu wyegzekwowania swoich praw lub interesów, należy udać się do dowolnego z naszych oficjalnych usług pomocy technicznej.

Najbliższy punkt można znaleźć, korzystając z poniższego linku: <http://www.2helpu.com/>. Można również poprosić o

informacje, kontaktując się z nami (patrz ostatnia strona instrukcji).

Można też pobrać niniejszą instrukcję obsługi i jej aktualizacje na <http://www.2helpu.com/>

ΦΡΙΤΕΖΑ BXDF2100E

Αξιότιμε πελάτη:

Σας ευχαριστούμε που αποφασίσατε να αγοράσετε ένα προϊόν μάρκας BLACK+DECKER. Η τεχνολογία, ο σχεδιασμός και η λειτουργία του, σε συνδυασμό με το γεγονός ότι το προϊόν πληροί τις αυστηρότερες προδιαγραφές ποιότητας θα σας εξασφαλίσουν πλήρη ικανοποίηση για πολύ καιρό.

- ◆ Διαβάστε προσεκτικά το παρόν φυλλάδιο οδηγιών πριν θέσετε σε λειτουργία τη συσκευή, και φυλάξτε το για να το συμβουλευέστε στο μέλλον. Η μη τήρηση των παρακάτω οδηγιών μπορεί να οδηγήσει σε ατύχημα.

ΟΔΗΓΙΕΣ ΚΑΙ ΠΡΟΕΙΔΟΠΟΙΗΣΕΙΣ ΑΣΦΑΛΕΙΑΣ

- ◆ Πριν την πρώτη χρήση, καθαρίστε όλα τα μέρη του προϊόντος που μπορεί να έρθουν σε επαφή με τρόφιμα, κάνοντας αυτά που αναφέρονται στην παράγραφο για την καθαριότητα.
- ◆ Αυτή η συσκευή έχει σχεδιαστεί μόνο για οικιακή χρήση, όχι για επαγγελματική ή βιομηχανική χρήση. Δεν έχει σχεδιαστεί για να χρησιμοποιείται από πελάτες σε ξενοδοχειακά περιβάλλοντα που σχετίζονται με διανυκτέρευση και πρωινό, ξενοδοχεία, μοτέλ και άλλα περιβάλλοντα στέγασης, ούτε σε αγροτικές κατοικίες, χώρους εστίασης μόνο για το προσωπικό σε καταστήματα, γραφεία και άλλα εργασιακά περιβάλλοντα.
- ◆ Αυτή η συσκευή δεν πρέπει να χρησιμοποιείται από παιδιά ηλικίας κάτω των 8 ετών.
- ◆ Αυτή η συσκευή μπορεί να χρησιμοποιείται από παιδιά ηλικίας 8 ετών και πάνω, εφόσον βρίσκονται υπό συνεχή επιτήρηση.
- ◆ Αυτή τη συσκευή μπορούν να τη χρησιμοποιούν άτομα με μειωμένες σωματικές, αισθητηριακές ή νοητικές ικανότητες ή έλλειψη εμπειρίας και γνώσεων, εάν βρίσκονται υπό την κατάλληλη επιτήρηση ή έχουν λάβει την κατάλληλη εκπαίδευση για την ασφαλή χρήση της συσκευής και κατανοούν τους κινδύνους που ενέχει.
- ◆ Διατηρείτε τη συσκευή και το καλώδιο της μακριά από τα παιδιά ηλικίας κάτω των οκτώ ετών.
- ◆ Η καθαριότητα και η συντήρηση που πρέπει να πραγματοποιεί ο χρήστης δεν πρέπει να πραγματοποιούνται από παιδιά χωρίς επιτήρηση.
- ◆ Η παρούσα συσκευή δεν είναι παιχνίδι. Τα παιδιά πρέπει να επιτηρούνται ώστε να διασφαλίζεται ότι δεν παίζουν με τη συσκευή.
- ◆ Τοποθετήστε τη συσκευή επάνω σε οριζόντια, επίπεδη και σταθερή επιφάνεια με τα χερούλια, εφόσον υπάρχουν, τοποθετημένα έτσι ώστε να αποφεύγονται πιθανά πιτσιλίσματα ζεστών υγρών.

- ◆ Μη χρησιμοποιείτε τη συσκευή όταν είναι συνδεδεμένη με προγραμματιστές, χρονοδιακόπτες ή άλλη διάταξη που ενεργοποιεί τη συσκευή αυτομάτως.
- ◆ Εάν έχει υποστεί βλάβη το καλώδιο σύνδεσης στο ρεύμα, πρέπει να αντικατασταθεί και να μεταφέρετε τη συσκευή σε εξουσιοδοτημένο κατάστημα τεχνικής εξυπηρέτησης πελατών. Προκειμένου να μην εκτεθείτε σε κίνδυνο, μην προσπαθήσετε να αποσυναρμολογήσετε ή να επιδιορθώσετε τη συσκευή.



- ◆ Η θερμοκρασία των επιφανειών που είναι εύκολα προσβάσιμες μπορεί να είναι υψηλή όταν η συσκευή λειτουργεί

- ◆ Πριν συνδέσετε τη συσκευή στο ρεύμα, ελέγξτε ότι η τάση που αναφέρεται στην πινακίδα σήμανσης συμπίπτει με την τάση του ρεύματος.
- ◆ Συνδέστε τη συσκευή σε βάση λήψης ρεύματος που διαθέτει γείωση και που αντέχει τουλάχιστον 10 αμπέρ.
- ◆ Το βύσμα της πρίζας της συσκευής πρέπει να συμπίπτει με την πρίζα λήψης ρεύματος. Μην αλλάζετε ποτέ το βύσμα της πρίζας. Μην χρησιμοποιείται μετασχηματιστές στο βύσμα της πρίζας.
- ◆ Μην ασκείτε πίεση στο ηλεκτρικό καλώδιο. Μη χρησιμοποιείτε ποτέ το ηλεκτρικό καλώδιο για να σηκώνετε, να μεταφέρετε ή να βγάλετε από την πρίζα τη συσκευή.
- ◆ Μην τυλίγετε το ηλεκτρικό καλώδιο σύνδεσης γύρω από τη συσκευή.
- ◆ Φροντίστε να μη μένει μαγκωμένο ή διπλωμένο το ηλεκτρικό καλώδιο σύνδεσης.
- ◆ Μην αφήνετε το ηλεκτρικό καλώδιο σύνδεσης να έρχεται σε επαφή με τις ζεστές επιφάνειες της συσκευής.
- ◆ Μην αφήνετε να κρέμεται το καλώδιο σύνδεσης από το τραπέζι ή να έρχεται σε επαφή με τις θερμές επιφάνειες της συσκευής.
- ◆ Ελέγξτε την κατάσταση του καλωδίου τροφοδοσίας.

Καλώδια που έχουν υποστεί βλάβη ή έχουν μπερδευτεί αυξάνουν τον κίνδυνο ηλεκτροπληξίας.

- ◆ Σαν επιπρόσθετη προστασία στην ηλεκτρική εγκατάσταση που τροφοδοτεί την συσκευή, συνιστάται το να διαθέτει μια διάταξη παραμένουτος ρεύματος, με μια μέγιστη ευαισθησία των 30 mA. Ρωτήστε έναν έμπειρο ηλεκτρολόγο για συμβουλές.
- ◆ Μην αγγίζετε το βύσμα σύνδεσης με υγρά χέρια.
- ◆ Μη χρησιμοποιείτε τη συσκευή όταν το ηλεκτρικό καλώδιο ή το βύσμα έχουν υποστεί ζημιά.
- ◆ Εάν κάποιο από τα περιβλήματα της συσκευής σπάσει, αποσυνδέστε αμέσως τη συσκευή από το ρεύμα για να αποφύγετε πιθανότητα ηλεκτροπληξίας.
- ◆ Μη χρησιμοποιείτε τη συσκευή αν έχει πέσει στο δάπεδο, αν παρουσιάζει εμφανή φθορά ή διαρροή.
- ◆ Φροντίστε ώστε η περιοχή εργασίας να είναι καθαρή και καλά φωτισμένη. Σε ακατάστατες και σκοτεινές περιοχές ενδέχεται να συμβούν ατυχήματα.
- ◆ Να χρησιμοποιείται τη συσκευή σε καλά αεριζόμενο χώρο.
- ◆ Μην τοποθετείτε τη συσκευή επάνω σε ζεστές επιφάνειες, όπως εστίες μαγειρέματος, εστίες γκαζιού, φούρνους και συναφή.
- ◆ Μην τοποθετείτε τη συσκευή στο εσωτερικό φούρνου ή παρεμφερούς συσκευής.
- ◆ Απομακρύνετε παιδιά και περιέργους, όσο χειρίζεστε την παρούσα συσκευή.
- ◆ Τοποθετήστε τη συσκευή σε οριζόντια, επίπεδη, σταθερή επιφάνεια που να μπορεί να αντέξει υψηλές θερμοκρασίες, μακριά από άλλες πηγές θερμότητας και πιθανά πισιλίσματα νερού.
- ◆ Τοποθετήστε τη συσκευή μακριά από οποιοδήποτε εύφλεκτο υλικό, όπως είναι υφάσματα, χαρτόνια, χαρτιά...
- ◆ Η συσκευή πρέπει να χρησιμοποιείται και να διατηρείται σε επίπεδη και σταθερή επιφάνεια. Ποτέ επάνω σε χαρτόνια, πετσέτες κουζίνας ή παρόμοια αντικείμενα, επειδή αυτά μπορεί να εγκυμονούν κινδύνους, και μπορεί να επηρεάσουν τη σωστή λειτουργία της συσκευής.
- ◆ ΠΡΟΕΙΔΟΠΟΙΗΣΗ: Για να αποφευχθεί υπερθέρμανση, μην καλύπτετε τη συσκευή.
- ◆ Η συσκευή αυτή δεν ενδείκνυται για χρήση έξω στην ύπαιθρο.
- ◆ Το καλώδιο τροφοδοσίας πρέπει να εξετάζεται τακτικά ώστε να ανιχνεύονται σημάδια φθοράς, και αν υπάρχει φθορά, η συσκευή δεν πρέπει να χρησιμοποιείται.
- ◆ Μη χρησιμοποιείτε ούτε να φυλάσσετε τη συσκευή σε εξωτερικούς χώρους.
- ◆ Μην αφήνετε τη συσκευή εκτεθειμένη σε βροχή ή υγρασία. Το νερό που εισέρχεται στη συσκευή αυξάνει τον κίνδυνο ηλεκτροπληξίας.

- ♦ ΠΡΟΕΙΔΟΠΟΙΗΣΗ: Μην κοιμηθείτε με τη συσκευή αναμμένη, επειδή υπάρχει κίνδυνος ζημιών.
- ♦ Η συσκευή να μη χρησιμοποιείται από άτομα που δεν έχουν αίσθηση της θερμότητας (επειδή έχει επιφάνειες που θερμαίνονται).
- ♦ Μην αγγίζετε τα θερμασμένα τμήματα της συσκευής, γιατί μπορούν να προκαλέσουν εγκαύματα.

Χρήση και συντήρηση:

- ♦ Πριν από κάθε χρήση, ξετυλίξτε τελείως το καλώδιο τροφοδοσίας της συσκευής.
- ♦ Μη θέσετε σε λειτουργία τη συσκευή αν δεν έχετε γεμίσει πρώτα τον κάδο με λάδι.
- ♦ Μη χρησιμοποιείται τη συσκευή αν δεν λειτουργεί ο διακόπτης έναρξης/παύσης λειτουργίας.
- ♦ Μη μετακινείτε τη συσκευή όταν αυτή λειτουργεί ή το λάδι καίει ακόμα. Όταν έχει κρυώσει η συσκευή, τη μεταφέρετε χρησιμοποιώντας τις λαβές.
- ♦ Χρησιμοποιείτε το/τα χερούλι/α μεταφοράς για να πιάσετε ή να μεταφέρετε τη συσκευή.
- ♦ Μην αναποδογυρίζετε τη συσκευή ενώ χρησιμοποιείται ή είναι συνδεδεμένη στο ρεύμα.
- ♦ Τηρείτε τα επίπεδα MAX και MIN.
- ♦ Αποσυνδέετε τη συσκευή από το ρεύμα, όταν δεν τη χρησιμοποιείτε καθώς και πριν πραγματοποιήσετε οποιαδήποτε διαδικασία καθαρισμού.
- ♦ Διατηρήστε την παρούσα συσκευή μακριά από τα παιδιά ή/και τα άτομα με μειωμένες σωματικές, αισθητηριακές ή διανοητικές ικανότητες ή άτομα με ελλείψεις εμπειρίες ή γνώσεις.
- ♦ Μη φυλάσσετε ούτε να μεταφέρετε τη συσκευή όσο είναι ακόμα ζεστή.
- ♦ Μην αφήνετε ποτέ την συσκευή να λειτουργεί χωρίς επίβλεψη, ούτε και κοντά σε παιδιά μιας και είναι μία ηλεκτρική συσκευή που θερμαίνει λάδι σε υψηλές θερμοκρασίες και μπορεί να προκαλέσει σοβαρά εγκαύματα.
- ♦ Να χρησιμοποιείτε μόνο κατάλληλα σκεύη που μπορούν να αντέχουν υψηλές θερμοκρασίες.
- ♦ ΠΡΟΕΙΔΟΠΟΙΗΣΗ: Μην κοιμηθείτε με τη συσκευή αναμμένη, επειδή υπάρχει κίνδυνος ζημιών.
- ♦ Αν χρησιμοποιείται λίπος αντί για λάδι, θα πρέπει να το λιώσετε προηγουμένως σε χωριστό δοχείο.
- ♦ Αν το λίπος σκληρύνει μέσα στον κάδο της συσκευής, κάντε μερικές τρύπες στο στερεό λίπος, ώστε να επιτρέψετε στο νερό που έχει εγκλωβιστεί στο λίπος να βγει με τη μορφή ατμών, ενώ θερμαίνετε τη συσκευή στην ελάχιστη θερμοκρασία του θερμοστάτη.
- ♦ Αν, για οποιονδήποτε λόγο, πάρει φωτιά το λάδι, αποσυνδέστε τη συσκευή από το ρεύμα, και καταπνίξτε τη

φωτιά με το καπάκι, μια κουβέρτα ή με ένα μεγάλο πανί κουζίνας. ΠΟΤΕ ΜΕ ΝΕΡΟ.

Λειτουργία:

- ♦ Η επισκευή της συσκευής πρέπει να πραγματοποιείται μόνο από ειδικευμένο προσωπικό και πρέπει να χρησιμοποιούνται μόνο γνήσια ανταλλακτικά ή εξαρτήματα για την αντικατάσταση υπαρχόντων τμημάτων/εξαρτημάτων.
- ♦ ΠΡΟΕΙΔΟΠΟΙΗΣΗ: Υπάρχει κίνδυνος πυρκαγιάς, σε περίπτωση που ο καθαρισμός της συσκευής δεν γίνει σύμφωνα με αυτές τις οδηγίες.
- ♦ Οποιαδήποτε μη ενδεδειγμένη χρήση ή χρήση αντίθετη προς τις οδηγίες χρήσης μπορεί να εγκυμονεί κινδύνους, και ακυρώνει την εγγύηση και την ευθύνη του κατασκευαστή.

ΠΕΡΙΓΡΑΦΗ

- A Καπάκι
- B Λαβή καπάκι
- C Παράθυρο
- D Θερμοστάτης για τη ρύθμιση της θερμοκρασίας
- E Φωτεινή ένδειξη
- F Κουμπί επαναφοράς
- G Προφίλ οδηγού
- H Μονάδα ελέγχου
- I Στοιχείο που παράγει θερμότητα
- J Καλάθι
- K Χερούλι του καλαθιού
- L Στήριγμα καλαθιού
- M Κάδος λαδιού
- N Δείκτης στάθμης
- O Βραστήρας
- P Σύνδεση με ρεύμα
- Q Θέση σύνδεσης με ρεύμα
- R Στήριγμα μονάδας ελέγχου

ΤΡΟΠΟΣ ΛΕΙΤΟΥΡΓΙΑΣ

Παρατηρήσεις πριν τη χρήση:

- ♦ Βεβαιωθείτε ότι έχετε αφαιρέσει όλα τα υλικά συσκευασίας του προϊόντος.
- ♦ Πριν χρησιμοποιήσετε το προϊόν για πρώτη φορά, καθαρίστε τα μέρη που έρχονται σε επαφή με τρόφιμα όπως περιγράφεται στην παράγραφο για την καθαριότητα.

Γέμισμα με λάδι:

- ♦ Ανοίξτε το καπάκι.
- ♦ Βεβαιωθείτε ότι το ηλεκτρικό σύμπλεγμα έχει σταθεροποιηθεί καλά.
- ♦ Βάλτε λάδι στον κάδο μέχρι να φτάσει το σημάδι για τη ΜΕΓΙΣΤΗ στάθμη.
- ♦ Η συσκευή δεν πρέπει να λειτουργεί με το λάδι κάτω από την ΕΛΑΧΙΣΤΗ στάθμη.

Χρήση:

- ♦ Ξετυλίξτε τελείως το καλώδιο πριν συνδέσετε τη συσκευή στο ρεύμα.
- ♦ Συνδέστε τη συσκευή στο ηλεκτρικό δίκτυο.
- ♦ Βγάλτε το καλάθι και σπηρεώστε το χερούλι, κάνοντας το να περιστραφεί μέχρι οι ράβδοι να μπουν στη θέση τους.
- ♦ Επιλέξτε την επιθυμητή θερμοκρασία τηγανίσματος από τον διακόπτη του θερμοστάτη για τη ρύθμιση της θερμοκρασίας. Η φωτεινή ένδειξη θα ανάψει στο κόκκινο, δείχνοντας ότι το λάδι βρίσκεται σε διαδικασία θέρμανσης (με το καπάκι κλειστό εξοικονομείτε ενέργεια).
- ♦ Προετοιμάστε τα τρόφιμα για τηγάνισμα και τοποθετήστε τα στο καλάθι, προσπαθώντας να μην υπερβαίνουν τα 2/3 της χωρητικότητάς του. Αφήστε τα τρόφιμα να στραγγίσουν πριν τα βάλετε στον κάδο.
- ♦ Αν τα τρόφιμα είναι κατεψυγμένα, γεμίστε τον κάδο με λάδι μέχρι τη μέση και βάλτε τα τρόφιμα σιγά σιγά μέσα στο λάδι. ΣΗΜΕΙΩΣΗ: τα κατεψυγμένα τρόφιμα ή τρόφιμα με μεγάλη περιεκτικότητα σε νερό στον κάδο, μπορούν να κάνουν να πεταχτεί ξαφνικά λάδι προς τα έξω, μετά από λίγα δευτερόλεπτα.
- ♦ Κατά τη διάρκεια χρήσης της συσκευής, η φωτεινή ένδειξη θα αναβοσβήνει αυτόματα, δείχνοντας έτσι ότι τα θερμαντικά στοιχεία λειτουργούν ώστε να διατηρείται η επιθυμητή θερμοκρασία.
- ♦ Βυθίστε αργά το καλάθι στον κάδο ώστε να αποφύγετε υπερχειλίσεις και πιτσιλιές. Ανάλογα την περίπτωση, τηγανίστε με το καπάκι ανοιχτό ή κλειστό.
- ♦ Όταν τα τρόφιμα έχουν τηγανιστεί, ανεβάστε το καλάθι και κρεμάστε το στο στήριγμα για να στραγγίσει από το υπερβολικό λάδι.
- ♦ Αδειάστε το καλάθι.
- ♦ Αλλάζετε το λάδι περίπου κάθε 15 ή 20 τηγανίσματα, ή κάθε 1-2 μήνες, αν δεν τη χρησιμοποιείτε συχνά.
- ♦ Για να ελαχιστοποιηθεί η παραγωγή ακρυλαμιδίου κατά τη διάρκεια του τηγανίσματος, μην αφήνετε τα τρόφιμα να αποκούν σκούρο καφέ χρώμα, απομακρύνετε τα υπολείμματα των καμένων τροφίμων από τον κάδο λαδιού, και τηγανίστε τα τρόφιμα με πολύ άμυλο (όπως πατάτες και δημητριακά) σε θερμοκρασίες κάτω από 170°C.

Αφού ολοκληρωθεί η χρήση της συσκευής:

- ♦ Επιλέξτε τη θέση της ελάχιστης θερμοκρασίας (MIN) με τον διακόπτη επιλογής θερμοκρασίας.
- ♦ Αποσυνδέστε τη συσκευή από το ρεύμα.
- ♦ Κλείστε την τάπα.
- ♦ Αφήστε τη συσκευή να κρυώσει τελείως.
- ♦ Καθαρίστε τη συσκευή.

Χερούλι/α μεταφοράς:

- ♦ Η παρούσα συσκευή διαθέτει πλευρικά χερούλια ώστε να είναι εύκολη και άνετη η μεταφορά της.

Πρακτικές συμβουλές:

- ♦ Για να ξεμυρίσει το λάδι, μπορείτε να τηγανίσετε φέτες ψωμιού.
- ♦ Τα τρόφιμα που περιέχουν πολύ νερό τηγανίζονται καλύτερα και πιο γρήγορα αν τα τηγανίσετε σε δύο τηγανιές, με λιγότερο όγκο τροφίμων σε καθεμία, παρά σε μία. Έτσι, μειώνεται ο κίνδυνος πιτσιλισμάτων και υπερχειλίσεων.
- ♦ Για να τηγανιστούν τα τρόφιμα ομοιόμορφα και να γίνουν τραγανά, χρησιμοποιήστε τη μέθοδο «τηγάνισμα σε δύο χρόνους». Σύμφωνα με αυτό το σύστημα τηγανίζετε μια πρώτη φορά τα τρόφιμα μέχρι που να είναι σχεδόν έτοιμα, και μετά τα τηγανίζετε μια δεύτερη φορά, με το λάδι πολύ καυτό, για να ροδίσουν.
- ♦ Σας συμβουλευόμαστε να τηγανίζετε με ελαιόλαδο ελάχιστης οξύτητας.
- ♦ Μην αναμιγνύετε λάδια διαφορετικών ποιτήτων.
- ♦ Για να μην κολλάνε οι πατάτες, προτείνουμε να τις πλένετε πριν τις τηγανίσετε.

Θερμική προστασία ασφαλείας:

- ♦ Σε περίπτωση υπερθέρμανσης, ενεργοποιείται η διάταξη θερμικής ασφάλειας και η συσκευή θα πάψει να λειτουργεί. Όταν συμβεί αυτό, θα πρέπει να αποσυνδέσετε τη συσκευή από το ρεύμα και να αφήσετε να κρυώσει. Στη συνέχεια, πατήστε το κουμπί επαναφοράς που βρίσκεται στο ηλεκτρικό σύμπλεγμα στο πίσω μέρος της συσκευής με τη μύτη ενός μολυβιού ή κάτι παρόμοιο για να καταστεί και πάλι η συσκευή έτοιμη να λειτουργήσει.

ΚΑΘΑΡΙΟΤΗΤΑ

- ♦ Αποσυνδέστε τη συσκευή από το ρεύμα και αφήστε τη να κρυώσει πριν πραγματοποιήσετε οποιαδήποτε διαδικασία καθαρισμού.
- ♦ Αποσυναρμολογήστε τη συσκευή, σύμφωνα με τα

ακόλουθα βήματα:

- ◆ Βγάλε το καλάθι και αφαιρέστε το ηλεκτρικό σύμπλεγμα.
- ◆ Βγάλε τον κάδο.
- ◆ Χύστε προσεκτικά το ήδη χρησιμοποιημένο λάδι του κάδου σε ένα δοχείο (όχι στον νεροχύτη), σύμφωνα με τους ισχύοντες κανονισμούς επεξεργασίας και διάθεσης καταλοίπων.
- ◆ Εκτός από τη μονάδα ισχύος και τη σύνδεση στο δίκτυο, όλα τα εξαρτήματα μπορούν να καθαριστούν με απορρυπαντικό και νερό ή με υγρό απορρυπαντικού. Ξεπλύνετε καλά για να αφαιρέσετε όλα τα ίχνη απορρυπαντικού
- ◆ Καθαρίστε το ηλεκτρικό μέρος και τον σύνδεσμο στο ρεύμα με ένα υγρό πανί και μετά στεγνώστε τα. ΠΟΤΕ ΜΗΝ ΤΑ ΕΜΒΑΠΤΙΖΕΤΑΙ ΣΕ ΝΕΡΟ Η ΟΠΟΙΟΔΗΠΟΤΕ ΑΛΛΟ ΥΓΡΟ
- ◆ Καθαρίστε τη συσκευή με ένα υγρό πανί, βρεγμένο με μερικές σταγόνες απορρυπαντικού και μετά στεγνώστε τη.
- ◆ Μη χρησιμοποιείται διαλυτικά ούτε προϊόντα με όξινο ή αλκαλικό παράγοντα pH, όπως η χλωρίνη, ούτε λειαντικά προϊόντα για τον καθαρισμό της συσκευής.
- ◆ Σας προτείνουμε να καθαρίζετε τακτικά τη συσκευή και να αφαιρείτε όλα τα υπολείμματα τροφίμων.
- ◆ Αν η συσκευή δεν βρίσκεται σε καλή κατάσταση καθαριότητας, η επιφάνειά της μπορεί να χαλάσει και αυτό να επηρεάσει αναπόφευκτα τη διάρκεια ζωής της συσκευής και να οδηγήσει σε κατάσταση επικινδυνότητας.
- ◆ Τα ακόλουθα σκεύη μπορούν να καθαριστούν με ζεστό νερό με σαπούνι ή σε πλυντήριο πιάτων (χρησιμοποιείστε ένα ελαφρύ πρόγραμμα πλυσίματος):
- ◆ Καλάθι
- ◆ Καπάκι
- ◆ Κάδος
- ◆ Η θέση στράγγισι/στέγνωμα των εξαρτημάτων που πλένονται στο πλυντήριο πιάτων πρέπει να επιτρέπει την εύκολη στράγγισι του νερού.
- ◆ Στεγνώστε όλα τα εξαρτήματα πριν συναρμολογήσετε και φυλάξτε τη συσκευή.

Αναλώσιμα

- ◆ Στους εγκεκριμένους διανομείς και καταστήματα μπορείτε να αγοράσετε αναλώσιμα (όπως φίλτρα, ...) για το μοντέλο της συσκευής σας.
- ◆ Χρησιμοποιείτε πάντα αυθεντικά αναλώσιμα, που έχουν σχεδιαστεί ειδικά για τη συσκευή σας.

ΠΡΟΒΛΗΜΑΤΑ ΚΑΙ ΕΠΙΣΚΕΥΕΣ

- ◆ - Σε περίπτωση βλάβης, μεταφέρετε τη συσκευή σε εγκεκριμένη υπηρεσία τεχνικής βοήθειας. Μην προσπαθήσετε να την αποσυναρμολογήσετε ή να την επισκευάσετε γιατί μπορεί να εκτεθείτε σε κίνδυνο.

Για τις εκδοχές ΕΕ της συσκευής και/ή εφόσον ισχύουν τα παρακάτω στη χώρα σας:

Οικολογία και ανακυκλωσιμότητα του προϊόντος

- ◆ Τα υλικά συσκευασίας αυτής της συσκευής, συμμετέχουν σε πρόγραμμα αποκομιδής, ταξινόμησης και ανακύκλωσης τους. Αν θέλετε να απαλλαγείτε από αυτά τα υλικά, μπορείτε να χρησιμοποιήσετε τους δημόσιους κάδους που ενδείκνυνται για κάθε είδος υλικού.
- ◆ Το προϊόν δεν περιέχει συγκεντρώσεις ουσιών που μπορούν να θεωρηθούν επιζήμια για το περιβάλλον.
- ◆ Αυτή η συσκευή περιέχει ή μπορεί να περιέχει λάδι, να θυμάστε ότι πρέπει να τηρούνται οι κανονισμοί σχετικά με την απόρριψη αυτού του είδους ρύπου.



Αυτό το σύμβολο σημαίνει ότι εάν θέλετε να απαλλαγείτε από το προϊόν, όταν έχει ολοκληρωθεί ο κύκλος ζωής του, οφείλετε να το αναποθέσετε, με τα κατάλληλα μέσα, στα χέρια ενός διαχειριστή αποβλήτων, εγκεκριμένου για την επικερτική συλλογή αποβλήτων ειδών ηλεκτρικού και ηλεκτρονικού εξοπλισμού (ΑΗΗΕ).

Το παρόν προϊόν συμμορφώνεται με την οδηγία 2014/35/EU χαμηλής τάσης, με την οδηγία 2014/30/EU για την ηλεκτρομαγνητική συμβατότητα, με την οδηγία 2011/65/EU για τον περιορισμό της χρήσης ορισμένων επικίνδυνων ουσιών σε ηλεκτρικό και ηλεκτρονικό εξοπλισμό και με την οδηγία 2009/125/EC για τις απαιτήσεις οικολογικού σχεδιασμού όσον αφορά τα συνδεδεμένα με την ενέργεια προϊόντα.

ΕΓΓΥΗΣΗ ΚΑΙ ΤΕΧΝΙΚΗ ΥΠΟΣΤΗΡΙΞΗ

Το παρόν προϊόν αναγνωρίζεται και προστατεύεται από τη νόμιμη εγγύηση συμμόρφωσης προς την ισχύουσα νομοθεσία. Για να διεκδικήσετε τα δικαιώματά ή συμφέροντά σας πρέπει να απευθυνθείτε σε οποιοδήποτε από τα επίσημα γραφεία μας τεχνικής υποστήριξης.

Για να βρείτε το πιο κοντινό σε εσάς, ανατρέξτε στην ιστοσελίδα: <http://www.2helpu.com/>. Μπορείτε επίσης να ζητήσετε πληροφορίες, επικοινωνώντας μαζί μας (συμβουλευτείτε την τελευταία σελίδα του εγχειριδίου).

Μπορείτε να «κατεβάσετε» από το διαδίκτυο το παρόν εγχειρίδιο οδηγιών και τις σχετικές ενημερώσεις του στο <http://www.2helpu.com/>

ФРИТЮРНИЦА BXDF2100E

Уважаемый клиент!

Благодарим за выбор аппарата торговой марки BLACK+DECKER

Он выполнен с применением передовых технологий, имеет элегантный дизайн, надежную конструкцию и превышает наиболее требовательные стандарты качества, что обеспечит полное соответствие вашим требованиям и продолжительный срок службы.

- ◆ Внимательно прочтите эту инструкцию перед включением электроприбора и сохраните ее для использования в будущем. Ненадлежащее соблюдение этой инструкции может быть причиной несчастного случая.
- ◆ перед использованием очистите все части, которые будут контактировать с продуктами питания;

ИНСТРУКЦИЯ ПО ТЕХНИКЕ БЕЗОПАСНОСТИ

- ◆ Этот прибор предназначен исключительно для домашнего, не промышленного использования. Он не предназначен для того, чтобы его использовали постояльцы в мини-гостиницах, отелях, мотелях, других местах проживания гостиничного типа, а также в животноводческих постройках, подсобных помещениях магазинов, в офисах и на других рабочих местах;
- ◆ Этот прибор не должен использоваться детьми младше 8 лет.
- ◆ Прибор может использоваться только детьми старше 8 лет под постоянным присмотром взрослых.
- ◆ этот электроприбор может использоваться лицами с ограниченными физическими, сенсорными или умственными возможностями, а также лицами, не обладающими соответствующим опытом или знаниями, только под присмотром или после проведения инструктажа по безопасному использованию прибора и с пониманием связанных с ним опасностей;
- ◆ Храните прибор и его кабель вне досягаемости детей младше 8 лет;
- ◆ Чистка и уход за прибором не должны производиться детьми.
- ◆ Прибор не является игрушкой. Необходимо следить за детьми, чтобы они не играли с ним.
- ◆ Установите прибор на горизонтальной, ровной и устойчивой поверхности с бортиками, если они имеются, чтобы избежать выплескивания горячей жидкости.
- ◆ не используйте прибор вместе с устройствами программирования, таймерами или другими устройствами, которые могут автоматически включить его.
- ◆ Поврежденный сетевой шнур подлежит замене в авторизованном сервисном центре. Не допускается разбирать или ремонтировать прибор, так как это небезопасно.



◆ Температура поверхности включенного электроприбора может быть очень горячей.

◆ Не помещайте электроприбор в воду или иную жидкость, а также под струю воды.

- ◆ Прежде чем включить электроприбор, убедитесь, что напряжение на этикетке соответствует напряжению электросети.
- ◆ Подключите электроприбор к заземленной розетке, рассчитанной на ток не менее 10 ампер.
- ◆ Сетевая вилка должна подходить к розетке. Не допускается вносить изменения в вилку сетевого шнура. Не допускается также использовать переходники для розетки.
- ◆ Не тяните за шнур питания. Не допускается использовать шнур питания, чтобы поднимать или переносить электроприбор, вынимать вилку из розетки, потянув за шнур.
- ◆ Не накручивайте сетевой шнур на прибор.
- ◆ Не допускается пережимать или сильно сгибать шнур питания.
- ◆ Не допускается, чтобы шнур питания касался горячих частей прибора.
- ◆ Не допускается, чтобы сетевой шнур свешивался или касался горячих частей прибора.
- ◆ Проверьте состояние шнура питания. Поврежденный или запутанный шнур может быть причиной поражения электрическим током.
- ◆ В качестве дополнительной защиты электропитания оборудования рекомендуется иметь дифференциальный механизм с максимальной чувствительностью 30 мА. Попросите совета у компетентного мастера по установке оборудования.
- ◆ Не прикасайтесь к вилке влажными руками.
- ◆ Не допускается эксплуатировать электроприбор с поврежденным шнуром или вилкой питания.
- ◆ При любом повреждении корпуса электроприбора немедленно отключите его от сети, чтобы не допустить поражения электрическим током.
- ◆ Не допускается использовать прибор после падения на пол, если на нем имеются видимые следы повреждений или протечка.

- ◆ рабочее место, где используется прибор, должно быть чистым и хорошо освещенным. Беспорядок и недостаточное освещение могут стать причиной несчастного случая.
- ◆ Используйте прибор только в хорошо проветриваемом помещении.
- ◆ Не ставьте прибор на горячие поверхности: на конфорки, газовые горелки, в духовку и т.п.
- ◆ Не помещайте прибор в духовку или аналогичную ей полость печи.
- ◆ во время использования прибор должен быть недоступен для детей и посторонних лиц.
- ◆ Поставьте прибор на горизонтальную, ровную и устойчивую поверхность, способную выдержать высокую температуру и находящуюся вдали от других источников тепла и воды.
- ◆ Не устанавливайте прибор вблизи легко воспламеняющихся предметов (ткань, картон, бумага и пр....)
- ◆ Прибор нужно установить на ровную и устойчивую поверхность; Ни в коем случае не используйте прибор на картоне, кухонных тряпках или аналогичных предметах, так как это может представлять опасность и повлиять на правильное функционирование прибора.
- ◆ **ПРЕДУПРЕЖДЕНИЕ:** Во избежание перегрева не разрешается накрывать прибор.
- ◆ Данный прибор не предназначен для использования вне дома.
- ◆ Сетевой шнур нужно периодически проверять, чтобы не допустить использование прибора с поврежденным шнуром питания.
- ◆ Не допускается использовать или хранить электроприбор на открытом воздухе.
- ◆ Не оставляйте прибор под дождем или во влажном месте. Если в прибор попадет вода, это может стать причиной поражения электрическим током;
- ◆ **ПРЕДУПРЕЖДЕНИЕ:** Не спите при использовании этого прибора, так как существует риск, что вы можете пострадать.
- ◆ Людям, не чувствительным к высоким температурам, не рекомендуется использовать прибор (так как в нем есть нагревающиеся поверхности).
- ◆ Не трогайте нагревающиеся части прибора, так как это может вызвать серьезные ожоги.

Использование и уход

- ◆ Перед каждым использованием полностью разворачивайте сетевую кабель.
- ◆ Перед подключением прибора всегда сначала напол-

няйте масляную чашу.

- ◆ Не допускается эксплуатировать электроприбор с неисправным выключателем питания.
- ◆ Не перемещайте прибор во время его работы или если масло все еще горячее. После охлаждения прибора транспортируйте его при помощи ручек.
- ◆ Для перемещения или удержания электроприбора используйте его ручку.
- ◆ Не допускается использовать прибор в наклонном положении.
- ◆ Соблюдайте уровни MAX и MIN для воды.
- ◆ Отсоедините электроприбор от сети после использования или для его чистки.
- ◆ Храните этот прибор вне досягаемости от детей и/или лиц с ограниченными физическими, сенсорными или умственными возможностями, или же тех, кто не знаком с правилами его использования.
- ◆ Не допускается хранить и перевозить электроприбор в горячем состоянии;
- ◆ Никогда не оставляйте включенный прибор без присмотра или в местах, доступных для детей, поскольку данный электроприбор нагревается до высоких температур и может вызвать серьезные ожоги.
- ◆ Используйте только те кухонные приборы, которые способны выдержать высокие температуры.
- ◆ **ПРЕДУПРЕЖДЕНИЕ:** Пользователь прибора не может спать, если прибор находится в использовании, так как существует риск нанесения ущерба здоровью.
- ◆ Если вместо масла используется жир, сначала растопите его в отдельной емкости.
- ◆ Если жир на сковороде затвердел, проделайте в затвердевшем жире несколько отверстий, чтобы оставшаяся в нем вода вышла в виде пара при нагревании на минимальной температуре термостата.
- ◆ Если по какой-то причине масло загорелось, отключите прибор от сети и потушите огонь, используя для этого крышку, покрывало или большую скатерть. **НИ В КОЕМ СЛУЧАЕ НЕ ПЫТАЙТЕСЬ ПОТУШИТЬ ОГОНЬ ВОДОЙ.**

Сервисное обслуживание:

- ◆ Ремонтировать прибор разрешается только квалифицированным специалистам с использованием только оригинальных запасных частей.
- ◆ **ПРЕДУПРЕЖДЕНИЕ:** Очистка прибора должна осуществляться согласно данным инструкциям, так как в противном случае существует повышенный риск возникновения пожара.
- ◆ Любое неправильное использование или несоблюдение инструкций автоматически приводит к

аннулированию гарантии и снятию ответственности производителя.

ОПИСАНИЕ

- A Крышка
- B Ручка крышки
- C Окошко
- D Термостат для регулирования температуры
- E Световой индикатор
- F Кнопка сброса
- G Направляющие профили
- H Блок управления
- I Нагревательный элемент
- J Сетчатая емкость
- K Ручка для переноски
- L Подставка для сетчатой емкости
- M Сковорода
- N Индикаторы уровня
- O Корпус
- P Подключение к сети
- Q Отсек для подключения к сети
- R Скоба для блока управления

ИНСТРУКЦИЯ ПО ЭКСПЛУАТАЦИИ

Перед использованием:

- ◆ Убедитесь в том, что вы полностью распаковали прибор.
- ◆ Перед первым использованием очистите все части, которые будут контактировать с продуктами питания, как описывается в разделе, посвященном чистке.

Заливка масла:

- ◆ Откройте крышку.
- ◆ Убедитесь в том, что электрооборудование расположено надлежащим образом.
- ◆ Налейте масло до отметки **МАКСИМАЛЬНОГО** уровня, обозначенной на чаше.
- ◆ Прибор не должен использоваться с меньшим количеством масла, чем указано на отметке **MINIMAL**.

Использование:

- ◆ Полностью разверните кабель перед подключением к сети.

- ◆ Подключите прибор к электросети.
- ◆ Снимите корзину и прикрепите ручку, поворачивая ее до тех пор, пока штифты не войдут в корпус.
- ◆ Выберите желаемую температуру жарки, используя регулятор температуры. Индикатор станет красным, означая, что масло стало нагреваться (закройте крышку для экономии энергии).
- ◆ Подготовьте ингредиенты для жарки и поместите их в корзину, убедившись, что они не занимают больше, чем ¼ емкости корзины. Перед тем, как поместить ингредиенты в корзину, вытрите их насухо.
- ◆ Замороженные продукты должны быть разморожены заранее. Помещение в прибор замороженных продуктов или продуктов, содержащих большое количество воды, может вызвать внезапное выплескивание масла через несколько секунд после начала работы.
- ◆ Во время использования прибора световой индикатор включается и выключается автоматически, что указывает на работу нагревательных элементов по поддержанию необходимой температуры.
- ◆ Помещайте корзину в чашу медленно для того, чтобы избежать переполнения и разбрызгивания. Жарьте с открытой или закрытой крышкой, как то указано в рецепте.
- ◆ Когда ингредиенты достаточно обжарены, поднимите корзину и закрепите ее сверху, чтобы лишнее масло могло стечь.
- ◆ Опустошите корзину.
- ◆ Меняйте масло примерно через каждые 15 или 20 жарок, или каждые 1 - 2 месяцев, если прибор не используется часто.
- ◆ Чтобы свести к минимуму образование акриламида во время процесса жарки, избегайте образования темно-коричневого цвета на жареной пище, удалите подгорелые остатки из масляного контейнера; продукты, богатые крахмалом (например, картофель или бобовые), не должны обжариваться при температуре выше до 170°C.

По окончании использования прибора:

- ◆ Установите минимальную (MIN) температуру термостата.
- ◆ Отключите прибор от сети.
- ◆ Закройте крышку.
- ◆ Дайте прибору остыть.
- ◆ Очистите прибор.

Ручка(и) для переноски:

- ◆ В верхней части прибора располагается ручка для его транспортировки

Практические рекомендации по использованию:

- ◆ Обжарьте несколько кусочков хлеба, чтобы избавиться от запаха использованного масла.
- ◆ Продукты с высоким содержанием воды лучше и быстрее обжарить двумя партиями с меньшим количеством ингредиентов, чем за один раз. Это уменьшит риск появления брызг и выплескивания.
- ◆ «Двухступенчатый метод обжаривания» можно использовать для появления ровной и хрустящей корочки. Этот метод заключается в том, что сначала пища обжаривается до тех пор, пока она не будет готова, а затем снова обжаривается на очень горячем масле для появления золотистой корочки.
- ◆ Для жарки рекомендуется использовать оливковое масло с минимальным уровнем кислотности.
- ◆ Не смешивайте разные масла.
- ◆ Вымойте картофель перед обжариванием, чтобы избежать его прилипания.

Тепловая защита и безопасность:

- ◆ В случае перегрева будет активирован тепловой предохранительный механизм, и прибор прекратит работу. Когда такое случается, прибор необходимо отключить от сети и дать ему остыть. Затем, кончиком пера или с помощью подобного предмета, нажмите кнопку повторного включения, расположенную в задней части электрического контура, чтобы снова активировать прибор.

ОЧИСТКА

- ◆ До того, как выполнять очистку прибора, отсоедините его от сети и дайте ему остыть.
- ◆ Разберите прибор в соответствии со следующей инструкцией:
- ◆ Снимите корзину и выньте электрооборудование.
- ◆ Выньте чашу.
- ◆ Осторожно вылейте использованное масло из чаши в контейнер (а не раковину), в соответствии с действующими правилами переработки и утилизации отходов.
- ◆ За исключением блока питания и подключения к сети, все детали можно мыть водой с моющим средством или жидкостью для мытья посуды. Тщательно промойте, чтобы удалить все следы моющего средства.
- ◆ очистите важную тканью электроприбор и электрический соединитель, а затем просушите их. НЕ ПОГРУЖАЙТЕ В ВОДУ ИЛИ ИНУЮ ЖИДКОСТЬ.

- ◆ Очистите прибор, используя влажную ткань и несколько капель чистящей жидкости, и вытрите его насухо.
- ◆ Не допускается использовать растворители или продукты на основе кислоты или с высоким уровнем pH, например, отбеливатель, а также абразивные чистящие вещества.
- ◆ Рекомендуется регулярно очищать прибор и тщательно удалять все пищевые остатки.
- ◆ Если прибор не будет содержаться в чистом состоянии, его поверхность может быть повреждена, срок службы сокращен или даже его использование станет небезопасным.
- ◆ Вы можете мыть в посудомоечной машине следующие части:
 - ◆ Сетчатая емкость
 - ◆ Крышка
 - ◆ Скворода
- ◆ Режим сушки для частей, которые можно мыть в посудомоечной машине или раковине, позволит воде легко стечь.
- ◆ Затем просушите все части перед сборкой.

Расходные части

- ◆ расходные части (например фильтры и др.) для вашей модели можно заказывать у дистрибьюторов и уполномоченных представителей.
- ◆ Обязательно используйте оригинальные расходные части, специально предназначенные для вашей модели.

НЕИСПРАВНОСТИ И РЕМОНТ

- ◆ В случае неисправности отнесите электроприбор в сервисный центр. Не пытайтесь самостоятельно ремонтировать электроприбор — это может быть опасно.

Для изделий в версии ЕС и/или, если этого требует законодательство в вашей стране: Экология и вторичное использование

- ◆ Материалы упаковки прибора принимаются системой сбора и сортировки материалов для вторичного их использования. Для утилизации используйте бытовые контейнеры для каждого типа мусора.
- ◆ В изделии нет веществ в концентрациях, которые считаются вредными для окружающей среды.
- ◆ Этот прибор содержит, или может содержать масло.

Помните, что необходимо соблюдать существующие нормативы по удалению данного типа загрязняющих веществ.



Этот значок означает, что после окончания срока службы для утилизации прибора отнесите его в пункт сбора электрических и электронных отходов (WEEE).

Этот прибор выполнен в соответствии с Директивой по низковольтному оборудованию 2014/35/EU, Директивой по электромагнитной совместимости 2014/30/EU, Директивой 2011/65/EU, ограничивающей использование некоторых опасных веществ в электрическом и электронном оборудовании, а также Директивой 2009/125/EC по экологическим требованиям к изделиям, потребляющим энергию.

ГАРАНТИЯ И ТЕХНИЧЕСКАЯ ПОДДЕРЖКА

Этот продукт защищен юридической гарантией в соответствии с действующим законодательством. Чтобы обеспечить соблюдение ваших прав или интересов, вы должны обратиться в любую из наших официальных служб по технической поддержке клиентов.

Вы можете найти ближайшие из центров, пройдя по следующей веб-ссылке: <http://www.2helpu.com/>.

Вы также можете запросить соответствующую информацию, связавшись с нами (см. последнюю страницу руководства).

FRITEUZĂ BXDF2100E

Stimate client,

Vă mulțumim că ați ales să cumpărați un produs marca BLACK+DECKER.


Datorită tehnologiei sale, designului și modului de funcționare, precum și faptului că depășește cele mai stricte standarde de calitate, se poate garanta o utilizare complet satisfăcătoare și de lungă durată a produsului.

- ◆ Înainte de a porni aparatul, citiți cu atenție aceste instrucțiuni și păstrați-le pentru a le putea consulta în viitor. Nerespectarea acestor instrucțiuni poate provoca un accident.
- ◆ Înainte de utilizare, curățați toate componentele produsului care vor fi în contact cu alimentele, așa cum este indicat în secțiunea de curățare.

RECOMANDĂRI ȘI AVERTIZĂRI PRIVIND SIGURANȚA

- ◆ Acest aparat este destinat utilizării în gospodărie, nu celei profesionale sau industriale. Nu este destinat utilizării de către clienți în medii de tip hotel, de exemplu pensiuni, hoteluri, moteluri și alte tipuri de medii rezidențiale, chiar și case țărănești, în zonele de bucătărie rezervate personalului din magazine, birouri și alte medii de lucru.
- ◆ Acest aparat nu trebuie să fie utilizat de copii cu vârsta sub 8 ani.
- ◆ Acest aparat poate fi utilizat de copii cu vârsta de peste 8 ani, cu condiția să fie sub supraveghere continuă.
- ◆ Acest aparat poate fi utilizat de către persoane cu capacități fizice, sen-

zoriale sau mentale reduse sau fără experiență și cunoștințe în cazul în care acestora li se asigură supraveghere sau au fost instruite cu privire la utilizarea aparatului într-un mod sigur și înțeleg pericolele implicate.

- ◆ Nu lăsați aparatul și cablul acestuia la îndemâna copiilor cu vârsta de sub 8 ani.
- ◆ Curățarea și întreținerea nu trebuie efectuate de copii.
- ◆ Acest aparat nu este o jucărie. Copiii trebuie supravegheați, pentru a vă asigura că nu se joacă cu aparatul.
- ◆ Puneți aparatul pe o suprafață orizontală, plană și stabilă, cu mânerle - dacă există - poziționate astfel încât să se evite scurgerea lichidelor fierbinți.
- ◆ Nu utilizați acest aparat împreună cu un programator, temporizator sau alt dispozitiv care îl pornește în mod automat.
- ◆ În cazul în care conexiunea la rețeaua de alimentare a fost avariata, aceasta trebuie înlocuită, iar aparatul trebuie dus la un service de asistență tehnică autorizat. Nu încercați să dezasamblați sau să reparați aparatul pe cont propriu, pentru a evita pericolele.
- ◆  Temperatura suprafețelor accesibile poate fi ridicată în timpul

folosirii aparatului.

◆ Nu scufundați niciodată aparatul în apă sau în orice alt lichid și nu lăsați apa să curgă pe acesta.

- ◆ Înainte de a brânșa aparatul, verificați dacă tensiunea de pe plăcuța cu datele de identificare corespunde celei de la rețeaua de alimentare electrică.
- ◆ Conectați aparatul la o priză de minim 10 amperi.
- ◆ Ștecărul aparatului trebuie să intre corect în priză. Nu modificați ștecărul. Nu utilizați adaptoare pentru ștecăre.
- ◆ Nu forțați cablul de alimentare. Nu utilizați niciodată cablul de alimentare pentru a ridica, transporta sau decupla aparatul.
- ◆ Nu înfășurați cablul electric în jurul aparatului.
- ◆ Nu prindeți cu cleme și nu pliați cablul de alimentare.
- ◆ Nu lăsați cablul de alimentare să intre în contact cu suprafețele fierbinți ale aparatului.
- ◆ Nu permiteți cablului de alimentare să atârne sau să intre în contact cu suprafețele fierbinți ale aparatului.
- ◆ Verificați starea cablului de alimentare. Cablurile deteriorate sau încurcate măresc riscul de electrocutare.
- ◆ Ca protecție suplimentară la instalația electrică ce alimentează aparatul, este recomandat să aveți un dispozitiv de curent diferențial cu o sensibilitate maximă de 30 mA. Consultați un instalator competent în acest sens.
- ◆ Nu atingeți ștecărul cu mâinile umede.
- ◆ Nu utilizați aparatul dacă acesta are ștecărul sau cablul de alimentare deteriorat.
- ◆ Dacă una dintre părțile carcasei aparatului se sparge, deconectați imediat aparatul de la rețeaua de alimentare electrică, pentru a preveni posibilitatea unei electrocutări.
- ◆ Nu utilizați aparatul dacă a căzut, dacă există semne vizibile de defecțiune sau dacă prezintă scurgeri.
- ◆ Păstrați zona de lucru curată și iluminată corespunzător. Zonele înghesuite și întunecate prezintă risc de accidente.
- ◆ Utilizați aparatul într-o zonă bine ventilată.
- ◆ Nu puneți aparatul pe suprafețe fierbinți, cum ar fi plitele, arzătoarele aragazurilor, cuptoarele sau altele asemănătoare.
- ◆ Nu așezați aparatul în cavitatea unui cuptor sau locuri similare.
- ◆ Țineți copiii și alte persoane la distanță atunci când utilizați aparatul.
- ◆ Puneți aparatul pe o suprafață orizontală, plană și stabilă, adecvată pentru a rezista la temperaturi mari și ferită

de alte surse de căldură și de contactul cu apa.

- ◆ Păstrați aparatul la distanță de materiale inflamabile, precum materiale textile, carton, hârtie etc.
- ◆ Aparatul trebuie să fie utilizat și așezat pe o suprafață plană și stabilă. Niciodată pe carton, cârpe de bucătărie sau alte obiecte similare, deoarece acestea pot reprezenta un risc și pot afecta funcționarea corectă a aparatului.
- ◆ ATENȚIE: Pentru a preveni supraîncălzirea, nu acoperiți aparatul.
- ◆ Acest aparat nu este adecvat pentru utilizarea în exterior.
- ◆ Cablul de alimentare trebuie examinat cu regularitate pentru semne de uzură, iar dacă acesta este deteriorat, aparatul nu trebuie utilizat.
- ◆ Nu utilizați și nici nu depozitați aparatul în exterior.
- ◆ Nu lăsați aparatul în ploaie sau expus la umezeală. În cazul în care se infiltră apă în interiorul aparatului, riscul de electrocutare va crește.
- ◆ ATENȚIE: Nu dormiți în timpul utilizării aparatului, deoarece vă puteți răni.
- ◆ Nu utilizați aparatul, în cazul persoanelor insensibile la căldură (deoarece aparatul are suprafețe încălzite).
- ◆ Nu atingeți părțile încălzite ale aparatului, deoarece ele vă pot produce arsuri grave.

Utilizare și îngrijire:

- ◆ Desfășurați complet cablul de alimentare al aparatului înainte de fiecare utilizare.
- ◆ Nu conectați niciodată aparatul fără a umple mai întâi vasul de ulei.
- ◆ Nu utilizați aparatul dacă comutatorul pornit/oprit nu funcționează.
- ◆ Nu deplasați aparatul în timpul funcționării sau dacă uleiul încă este fierbinte. După răcire, transportați aparatul cu ajutorul mânerelor.
- ◆ Utilizați mânerul aparatului pentru a-l apuca sau deplasa.
- ◆ Nu utilizați aparatul dacă este înclinat și nu îl răsturnați.
- ◆ Respectați nivelurile MAX și MIN.
- ◆ Deconectați aparatul de la rețeaua de alimentare atunci când nu îl utilizați și înainte de a-l curăța.
- ◆ Depozitați aparatul într-un loc care să nu fie la îndemâna copiilor și/sau a persoanelor cu capacități fizice, senzoriale sau mentale reduse, ori care nu au experiența sau cunoștințele necesare.
- ◆ Nu depozitați și nici nu transportați aparatul dacă este încă fierbinte.
- ◆ Nu lăsați aparatul nesupravegheat atunci când este în funcțiune și nu lăsați la îndemâna copiilor deoarece este

un aparat electric ce încălzește ulei la temperaturi mari și poate cauza arsuri severe.

- ◆ Utilizați numai ustensile adecvate, care rezistă la temperaturi mari.
- ◆ **ATENȚIE:** Utilizatorul nu trebuie să adoarmă cu aparatul în funcțiune; există risc de accidentare.
- ◆ Dacă se folosește grăsime în loc de ulei, se topește mai întâi într-un recipient separat.
- ◆ În cazul în care grăsimea s-a întărit în tigaie, faceți câteva găuri în grăsimea solidă pentru a permite ca apa reținută în grăsime să se elibereze sub formă de abur atunci când este încălzită la temperatura minimă de termostat.
- ◆ Dacă, din orice motiv, uleiul ia foc, deconectați aparatul de la sursa de alimentare și stingeți incendiul utilizând un capac sau un prosop mare de bucătărie. **NU UTILIZAȚI NICIODATĂ APA.**

Service:

- ◆ Asigurați-vă că lucrările de întreținere ale aparatului sunt efectuate doar de personal calificat și că sunt utilizate doar piese de schimb și accesorii originale pentru înlocuirea pieselor/accesoriilor existente.
- ◆ **ATENȚIE:** Există risc de incendiu în cazul în care curățarea aparatului nu se realizează conform acestor instrucțiuni.
- ◆ Orice utilizare necorespunzătoare sau nerespectare a instrucțiunilor determină garanția și responsabilitățile producătorului să devină nule și neavenite.

DESCRIERE

- A Capac
- B Mănerul capacului
- C Fereastră de control
- D Regulator de temperatură
- E Bec indicator
- F Buton de resetare
- G Șine de ghidaj
- H Panou de control
- I Element de încălzire
- J Coș
- K Măner pentru coș
- L Suport pentru coș
- M Recipient pentru ulei
- N Indicatori de nivel
- O Corp
- P Conexiune la rețea

- Q Găzduire conexiune la rețea
- R Suport panou de control

INSTRUCȚIUNI DE UTILIZARE

Înainte de utilizare:

- ◆ Asigurați-vă că ați îndepărtat toate ambalajele produsului
- ◆ Înainte de prima utilizare, curățați componentele care vor intra în contact cu alimentele în maniera prezentată în secțiunea despre curățare.

Umplere cu ulei:

- ◆ Deschideți capacul.
- ◆ Asigurați-vă că echipamentul electric este poziționat corespunzător.
- ◆ Turnați uleiul până la marcajul care indică nivelul MAXIM al vasului
- ◆ Aparatul nu trebuie utilizat cu mai puțin ulei decât cel indicat de marcajul MINIM.

Utilizare:

- ◆ Desfășurați complet cablul înainte de a-l introduce în priză.
- ◆ Conectați aparatul la rețeaua electrică.
- ◆ Se scoate coșul și se montează mănerul, făcându-l să pivoteze până când tijele intră în locașul lor.
- ◆ Selectați temperatura dorită de prăjire folosind comanda termostatului. Indicatorul luminos se va face roșu, indicând faptul că uleiul se încălzește (închideți capacul pentru a economisi energie).
- ◆ Pregătiți alimentele pentru prăjit și puneți-le în coș, asigurându-vă că nu se ridică peste ¼ din capacitatea acestuia. Lăsați alimentele la scurs înainte de a le introduce în coș.
- ◆ Alimentele congelate trebuie dezghețate în prealabil. Plasarea alimentelor congelate sau a alimentelor cu conținut ridicat de apă în coș poate determina uleiul să sară a brusc după câteva secunde.
- ◆ În timpul utilizării aparatului, beculețul se va aprinde și stinge în mod automat, indicând în acest mod funcționarea elementelor de încălzire pentru menținerea temperaturii dorite.
- ◆ Poziționați ușor coșul în vas pentru a evita vărsarea și stropirea. Prăjiți cu capacul deschis sau închis, după caz.
- ◆ Când mâncarea este prăjită suficient, ridicați coșul și poziționați-l în suport pentru a permite scurgerea uleiului în exces de pe alimente.

- ◆ Goliți coșul.
- ◆ Schimbați uleiul la fiecare 15 sau 20 de operații de prăjire sau la fiecare 1-2 luni dacă nu este folosit frecvent.
- ◆ Pentru a minimiza generarea acrilamidei în timpul procesului de prăjire, evitați culorile maro închis de pe alimentele prăjite, eliminați resturile arse din recipientul de ulei, alimentele bogate în amidon (cum ar fi cartofii sau porumbul) nu trebuie prăjite la temperaturi mai mari de 170 °C.

După ce ați terminat de utilizat aparatul:

- ◆ Selectați poziția minimă (MIN) utilizând termostatul.
- ◆ Deconectați aparatul de la rețeaua de alimentare.
- ◆ Închideți capacul.
- ◆ Lăsați aparatul să se răcească.
- ◆ Curățați aparatul.

Mâner/e pentru transport:

- ◆ Acest aparat are un mâner pe partea laterală a corpului, care facilitează transportul confortabil

Recomandări practice:

- ◆ Prăjiți câteva bucăți de pâine pentru a elimina mirosul de ulei uzat.
- ◆ Pentru alimentele cu un conținut ridicat de apă, este mai bine și mai rapid să se prăjească în două loturi, în cantitate mai puțină, decât în unul singur. Acest lucru va reduce riscul de stropire și scurgerile.
- ◆ „Metoda de prăjire în două etape” poate fi utilizată pentru o crustă uniformă și crocantă. Acest sistem constă într-o primă prăjire a alimentelor până când se gătesc rezonabil și apoi se prăjesc din nou folosind ulei foarte fierbinte pentru a rumeni alimentele.
- ◆ Uleiul de măsline cu un nivel minim de aciditate este recomandat pentru prăjit.
- ◆ Nu amestecați uleiuri diferite.
- ◆ Spălați cartofii înainte de prăjire pentru a împiedica lipirea acestora.

Protector termic de siguranță:

- ◆ În caz de supraîncălzire, mecanismul de siguranță termică va fi activat, iar aparatul va opri funcționarea. Când are loc acest lucru, aparatul trebuie deconectat de la rețea și lăsat să se răcească. Apoi apăsați butonul de rearmare, situat în circuitul electric, cu vârful unui stilou sau cu un obiect similar pentru a reactiva aparatul.

CURĂȚAREA

- ◆ Deconectați aparatul de la rețeaua de alimentare electrică și lăsați-l să se răcească înainte de efectuarea oricărei operații de curățare.
- ◆ Dezasamblați aparatul conform următorilor pași:
- ◆ Îndepărtați coșul și apoi scoateți echipamentul electric.
- ◆ Îndepărtați vasul.
- ◆ Turnați cu grijă uleiul uzat din vas într-un recipient (nu în chiuvetă), în conformitate cu reglementările în vigoare pentru tratarea și eliminarea deșeurilor.
- ◆ Cu excepția unității de alimentare și a conexiunii la rețea, toate piesele pot fi curățate cu detergent și apă sau în lichid de spălat. Clățiți bine pentru a îndepărta toate urmele de detergent
- ◆ Curățați echipamentul electric și conexiunea la rețeaua electrică utilizând o lavetă umedă, apoi uscați-l. NU INTRODUCEȚI NICIODATĂ APARATUL ÎN APĂ SAU ÎN ALT LICHID.
- ◆ Curățați aparatul cu o cârpă umedă și câteva picături de detergent lichid, apoi ștergeți-l.
- ◆ Nu utilizați solvenți sau produse cu pH acid sau bazic, precum înălbitori sau produse abrazive, pentru curățarea aparatului.
- ◆ Este recomandat să curățați aparatul în mod regulat și să îndepărtați resturile de alimente.
- ◆ Dacă aparatul nu este bine curățat, suprafața acestuia se poate deteriora, afectând în mod inevitabil durata de funcționare, devenind nesigur pentru utilizare.
- ◆ Următoarele piese pot fi spălate în mașina de spălat vase (utilizând un program de curățare delicată):
- ◆ Coș
- ◆ Capac
- ◆ Recipient pentru ulei
- ◆ Poziția de scurgere/uscarea a articolelor care pot fi plasate în mașina de spălat vase sau a celor puse în chiuvetă trebuie să faciliteze scurgerea.
- ◆ Apoi uscați toate piesele înainte de asamblare și depozitare.

Consumabile

- ◆ Consumabilele pot fi achiziționate de la distribuitori și întreprinderi autorizate (cum ar fi filtrele etc.) pentru modelul aparatului dvs.
- ◆ Utilizați întotdeauna componente originale, special proiectate pentru modelul aparatului dvs.

ANOMALII ȘI REPARAȚII

- ◆ Dacă produsul este deteriorat sau apar alte probleme, duceți aparatul la un service autorizat de asistență tehnică. Nu încercați să-l demontați sau să-l reparați fără ajutor, deoarece poate fi periculos.

Pentru versiunile UE ale produsului și/sau în cazul în care este obligatoriu în țara dvs:

Ecologie și reciclarea produsului

- ◆ Materialele din care este format ambalajul acestui produs sunt incluse în sistemul de colectare, clasificare și reciclare. Dacă doriți să le eliminați, utilizați pubelele publice corespunzătoare fiecărui tip de material.
- ◆ Produsul nu conține substanțe în concentrații care ar putea fi considerate ca dăunătoare pentru mediu.
- ◆ Acest aparat conține sau poate conține ulei. Nu uitați să respectați reglementările privind eliminarea acestui tip de contaminator.



Acest simbol înseamnă că, în cazul în care doriți să eliminați produsul la încheierea duratei de funcționare a acestuia, trebuie să îl duceți la un centru autorizat de colectare a deșeurilor, în vederea colectării selective a deșeurilor de echipamente electrice și electronice (DEEE).

Acest aparat respectă Directiva 2014/35/EU cu privire la echipamentele electrice destinate utilizării în cadrul unor anumite limite de tensiune, Directiva 2014/30/EU cu privire la compatibilitatea electromagnetică, Directiva 2011/65/EU privind restricțiile de utilizare a anumitor substanțe periculoase în echipamentele electrice și electronice, precum și Directiva 2009/125/EC de instituire a unui cadru pentru stabilirea cerințelor în materie de proiectare ecologică aplicabile produselor cu impact energetic.

GARANȚIE ȘI ASISTENȚĂ TEHNICĂ

- ◆ Acest produs beneficiază de recunoașterea și protecția garanției legale în conformitate cu legislația în vigoare. Pentru a vă exercita drepturile sau interesele, trebuie să vă adresați unuia dintre service-urile noastre oficiale de asistență tehnică.
- ◆ Puteți găsi cel mai apropiat serviciu de asistență tehnică accesând următorul link web: <http://www.2helpu.com/>.
- ◆ De asemenea, puteți solicita informații corelate, contactându-ne (consultați ultima pagină a manualului).
- ◆ Puteți descărca acest manual de instrucțiuni și actualizările sale la <http://www.2helpu.com/>.

ФРИТЮРНИК BXDF2100E

Уважаеми клиенти,

Благодарим Ви, че закупихте електроуред с марката BLACK+DECKER. Технологиата, дизайнът и функционалността на същия, както и фактът, че той надвишава най-стриктните норми за качество ще Ви донесат пълно и дълготрайно задоволство от него.

◆ Моля прочетете внимателно тази брошура, преди да пуснете уреда в действие. Запазете я за по-нататъшни справки. Несъобразяването с настоящите указания може да стане причина за произшествие.

СЪВЕТИ И ПРЕДУПРЕЖДЕНИЯ ЗА БЕЗОПАСНОСТ.

- ◆ Преди да използвате уреда за първи път, почистете всички части, намиращи се в допир с хранителните продукти, следвайки упътванията от раздел “Почистяване”.
- ◆ Този уред е предназначен единствено за битови нужди, а не за професионална или промишлена употреба. Настоящият уред не е предназначен за работа в ресторанти и заведения от вида “bed and breakfast”, в хотели, мотели и други заведения за отдих, както и в обекти за селски туризъм, зони за готвене, запазени за личния състав на магазини, офиси и други видове работна среда.
- ◆ Уредът не бива да се използва от деца под 8 годишна възраст.
- ◆ Този уред може да бъде използван от деца до и над 8 годишна възраст, ако се намират под постоянен надзор.
- ◆ Този уред може да се използва от лица с физически, сетивни и умствени увреждания, или от лица без опит от боравене с него, при условие обаче, че се намират под надзор или са получили указания за безопасна работа с уреда, а също и че осъзнават възможните рискове.
- ◆ Съхранявайте уреда и защитавания кабел далеч от достъпа на деца под 8 години.
- ◆ Не се допуска деца да почистват или извършват поддръжката на уреда.
- ◆ Уредът не е играчка! Наблюдавайте децата, така че да не си играят с уреда.
- ◆ С цел избягване разливането на горещи течности, моля поставете уреда върху водоравна, гладка и устойчива повърхност, с поставени дръжки (ако има такива).
- ◆ Не използвайте уреда, ако е свързан с програматор, таймер или друго устройство за автоматично включване на уреда.
- ◆ В случаите на повреден защитавач кабел, същият следва да се

подмени. В такива случаи, моля отнесете уреда в оторизиран сервис за техническо обслужване. С цел избягване на произшествия, моля не поправяйте и не разглобявайте уреда.



Когато уредът се намира в работен режим, достъпните повърхности може да бъдат силно нагreti.

- ◆ Преди да свържете уреда към мрежата, проверете, дали посоченото на табелката с техническите характеристики напрежение съвпада с напрежението на електрическата мрежа.
- ◆ Включете уреда в заземен източник на електрически ток, който да може да издържа 10 ампера.
- ◆ Щепселът на уреда следва да съвпада по вид с електрическия контакт. В никакъв случай не променяйте вида на щепсела. Не използвайте адаптори за щепсела.
- ◆ Не упражнявайте сила върху електрическия кабел. В никакъв случай не използвайте електрическия кабел за повдигане, пренасяне или изключване на уреда.
- ◆ Не навивайте електрическия кабел около уреда.
- ◆ Не допускате притискане или прегъване на електрическия кабел.
- ◆ Не допускате електрическият кабел да се допира до горещите повърхности на уреда.
- ◆ Не допускате електрическия кабел да се допира до горещите повърхности на уреда.
- ◆ Проверявайте често състоянието на хранящия кабел. Ако кабелът е повреден или заплетен, опасността от електрически удар нараства.
- ◆ Като допълнителна защита към електрическата инсталация, която хранва уреда, препоръчва се да разполагате с устройство за диференциален ток с максимална чувствителност 30mA. За съвет, консултирайте се с инсталатор специалист.
- ◆ Не докосвайте щепсела за включване в мрежата с мокри ръце.
- ◆ Не използвайте уреда при повреден кабел или щепсел.
- ◆ Ако някоя външна част на уреда се повреди, незабавно го изключете от хранящата мрежа, за да предотвратите опасността от електроудар.
- ◆ Моля не използвайте уреда, ако е паднал или ако носи видими следи от увреждане.
- ◆ Поддържайте работното място чисто и добре осветено. Разхвърляните и тъмни места могат да доведат до злополуки.
- ◆ Използвайте уреда на добре проветрено място.
- ◆ Не поставяйте уреда върху топли повърхности като плочи за готвене, газови котлони, фурни и др.
- ◆ Не вкарвайте уреда във фурна или подобни места.
- ◆ Работете с уреда надалече от деца и любопитни хора.
- ◆ Поставете уреда върху равна, стабилна и издържаща на високи температури повърхност, далеч от други източници на топлина и евентуални пръски вода.
- ◆ Поставете уреда далеч от запалими материали като текстилни тъкани, картон, хартия и др.
- ◆ Уредът следва да се постави и използва върху равна и устойчива повърхност. Никога не поставяйте уреда върху картони, кухненски кърпи или подобни. Те могат да представляват риск, а също могат да нарушат изправната работа на уреда.
- ◆ **ВНИМАНИЕ:** Не покривайте уреда, за да избегнете пренагряване.
- ◆ Този уред не е предназначен за употреба на открито.
- ◆ Проверявайте периодично състоянието на хранящия кабел. Не използвайте уреда, ако забележите следи от повреди.
- ◆ Не използвайте и не съхранявайте уреда на открито.
- ◆ Не излагайте уреда на дъжд и влага. Водата, проникнала в уреда повишава риска от токов удар.
- ◆ **ВНИМАНИЕ:** Не допускате да заспите по време на употребата на уреда - това може да предизвика щети.
- ◆ Моля, не използвайте уреда, ако сте нечувствителни към топлината, тъй като уредът има загрети повърхности.
- ◆ Моля, не пипайте загретите части на уреда - това може да предизвика изгаряния.

Употреба и поддръжка:

- ◆ Преди употреба развийте напълно хранящия кабел на уреда.
- ◆ Никога не свързвайте уреда, без предварително да сте напълнили каната с олио.
- ◆ Не използвайте уреда при повреден блок за "вкл./изкл".
- ◆ Не местете уреда, докато работи или докато олиото е още горещо. След като се охлади, пренасяйте уреда, като го държите за ръкохватките.
- ◆ За да хванете или пренесете уреда, моля използвайте ръкохватките.

- ◆ Не обръщайте уреда, докато работи или е включен в електрическата мрежа.
- ◆ Спазвайте МАКСИМАЛНОТО И МИНИМАЛНОТО ниво.
- ◆ Изключете уреда, когато не го използвате, или когато се готвите да го почистите.
- ◆ Съхранявайте уреда далеч от досега на деца и/или хора с намалени физически, сензорни или умствени възможности, или такива без опит и познания за боравене с него.
- ◆ Не съхранявайте и не пренасяйте уреда, ако не е изстинал напълно.
- ◆ Никога не оставяйте уреда да работи без надзор, нито в близост до деца, тъй като това е електроуред, който загрява мазнина до високи температури и може да причини тежки изгаряния.
- ◆ Използвайте единствено устойчиви на висока температура прибори.
- ◆ ВНИМАНИЕ: Не допускате да заспите по време на употребата на уреда - това може да предизвика щети.
- ◆ Ако използвате твърда мазнина вместо олио, тя трябва предварително да се разтопи в отделен съд.
- ◆ Ако мазнината се ствърди във фритюрника, направете отвори в твърдата мазнина, за да позволите на евентуално останалата в мазнината вода да излезе под формата на пара при загряването ѝ до минималната температура на термостата (фиг.
- ◆ Ако поради някаква причина маслото се запали, изключете уреда и угасете пламъците с капака, с одеяло или с голяма кухненска кърпа. В НИКАКЪВ СЛУЧАЙ НЕ ГАСЕТЕ С ВОДА.

Обслужване на уреда:

- ◆ Уверете се, че поддръжката на уреда се осъществява от специализирано лице и винаги използвайте оригинални консумативи и резервни части.
- ◆ ВНИМАНИЕ: Ако апаратът не се почиства съгласно указанията, възможно е да възникне пожар.
- ◆ Неправилното използване на уреда или неспазването на инструкциите за работа е опасно, анулира гаранцията и освобождава производителя от отговорност.

ОПИСАНИЕ

- A Капак
- B Дръжка на капака
- C Прозорек
- H Термостат-регулатор на температурата

- E Светлинни индикатори
- F Бутон за рестартиране
- G Релси за приплъзване
- H Контролна единица
- I Затоплящ елемент
- J Кошничката
- K Дръжка на кошничката
- L Опора за кошничката
- M Кофичка за олиото
- N Индикатор на нивото
- O Корпус
- P Свързване към мрежата
- Q Хранилище за свързването към мрежата
- R Опора за контролната единица

НАЧИН НА УПОТРЕБА

Забележки преди употреба:

- ◆ Уверете се, че изцяло сте отстранили опаковката на уреда.
- ◆ Преди да използвате ел. уреда за първи път, почистете всички части, намиращи се в допир с хранителните продукти, като следвате указанията в раздел "Почистване".

Наливане на олио:

- ◆ Отворете капака.
- ◆ Уверете се, че ел. комплект е поставен стабилно.
- ◆ Налейте олио във ваната до обозначението за МАКСИМАЛНО ниво.
- ◆ Уредът не трябва да работи с олио под МИНИМАЛНОТО ниво.

Употреба:

- ◆ Преди употреба, развийте напълно захранващия кабел на уреда.
- ◆ Включете уреда в електрическата мрежа.
- ◆ Извадете кошничката и монтирайте дръжката, като я завъртите, докато щифтовете влязат в предназначенията за тях място.
- ◆ Изберете желаната температура на пържене с помощта на регулатора на термостата. Светлинният индикатор светва в червен цвят, за да укаже, че олиото е в процес на загряване (при затворен капак се пести енергия).
- ◆ Подгответе продуктите за пържене и ги поставете в кошничката, стараяйки се да не надхвърлят 2/3 от

вместимостта ѝ. Преди да потопите продуктите в каната, оставете ги да се отцедят добре.

- ◆ Ако хранителните продукти за замразени, напълнете кофичката за олио до половината и постепенно вкарайте продуктите в олиото. Поставянето на замразени продукти или продукти с високо съдържание на вода в каната може да предизвика внезапно изплискване на олио навън в рамките на няколко секунди.
- ◆ По време на употребата на уреда светлинния бутон ще се включва и изключва автоматично, указвайки така работата на загряващите елементи с цел поддържане на желаната температура.
- ◆ Бавно вкарайте кошничката в каната, за да избегнете разливане и разпръскване. Според изискванията, пържете със свален или поставен капак.
- ◆ Щом пърженето приключи, повдигнете кошничката и я окачете на предвидената за нея опора, за да позволите излишното олио от продуктите да се отцеди.
- ◆ Изпразнете кошницата.
- ◆ Изпразнете кошничката Сменяйте олиото приблизително на всеки 15 или 20 пържения, или на всеки 1 - 2 месеца, ако не се използва редовно.
- ◆ За да намалите появата на акриламид по време на пържене, не оставяйте продуктите да придобият тъмно кафяв цвят, премахвайте остатъците изгорелите остатъци храна от ваната и обработвайте богатите на скорбяла продукти (като картофи и зърнени храни) на температура под 170°C.

След приключване на работата с уреда:

- ◆ Поставете регулатора на температура на минимум (MIN) посредством контролера за избор на температура.
- ◆ Изключете уреда от захранващата мрежа.
- ◆ Затворете капака.
- ◆ Оставете уреда да се охладят напълно.
- ◆ Почистете уреда.

Ръкохватка/и за пренасяне:

- ◆ Този уред е снабден с ръкохватка в горната си част за лесно и удобно пренасяне.

Практически съвети:

- ◆ За да премахнете миризмата на олиото, можете да изпържите няколко парчета хляб.
- ◆ При продуктите с високо съдържание на вода е по-целесъобразно и бързо да изпържите две порции с по-малък обем, отколкото само една. По този начин се намалява рискът от пръски и разливания.

- ◆ За да получите равномерно изпържени и хрупкави продукти, можете да използвате метода на "пържене на два етапа". Тази технология се състои в първоначално пържене, докато продуктите станат почти готови, а след това, второ пържене в много горещо олио, за да добият златист цвят.
- ◆ Препоръчва се да пържите със зехтин с минимална киселинност.
- ◆ Не смесвайте мазнини с различни качества.
- ◆ За да се избегне слепването на картофите, добре е те да се измият преди пърженето.

Термозащита при прегряване:

- ◆ При прегряване ще се активира устройство за термична сигурност и уреда ще спре да работи. В такъв случай, изключете уреда от мрежата и го оставете да изстине. След това натиснете бутона, който се намира в задната част на ел.уредата с помоща на върха на химикал или подобен предмет, за да задействате наново уреда.

ПОЧИСТВАНЕ

- ◆ Преди почистване изключете уреда от захранващата мрежа и го оставете да изстине.
- ◆ Разглобете уреда като следвате следните стъпки:
- ◆ Извадете кошничката и ел.комплекта
- ◆ Извадете каната
- ◆ Излейте внимателно вече използваното олио от каната в някакъв съд (не в мивката), съгласно приложимите нормативни разпоредби за обработка и изхвърляне на отпадъци.
- ◆ С изключение на захранващия блок и мрежовата връзка, всички части могат да се почистват с почистващ препарат и вода или с препарат за миене. Изплакнете обилно, за да премахнете всички следи от препарат
- ◆ Почистете ел.комплекта и ел.конектора с влажна кърпа, след което ги подсушете. В НИКАКЪВ СЛУЧАЙ НЕ ГИ ПОТАПАЙТЕ ВЪВ ВОДА ИЛИ ДРУГА НЯКАКВА ТЕЧНОСТ.
- ◆ Почистете уреда с влажна кърпа, напоена с няколко капки миеш препарат, след което го подсушете.
- ◆ За почистването на уреда не използвайте разтворители и препарати с киселинен или основен рН фактор, като белина и абразивни продукти.
- ◆ Препоръчително е да почиствате ел. уреда редовно и напълно да отстранявате остатъците от храна.
- ◆ Уредът следва да се поддържа чист. В противен случай повърхността му може да се повреди, и това

да скрати безвъзвратно експлоатационния му живот, а също и да стане причина за възникване на опасно положение.

- ◆ Следните части могат да се мият в топла сапунена вода или в миялна машина (използвайте мека програма за миене):
- ◆ Кошничка
- ◆ Капак
- ◆ Кофичка
- ◆ При изцеждане/сушене на частите, подлежащи на измиване в миялната машина или в мивката, последните следва да се поставят така, че водата да се оттича лесно от тях.
- ◆ След това, подсушете добре всички части, поставете ги обратно и съхранете уреда.

Консумативи

- ◆ Консумативите за вашия модел уред (например, филтри и т.н.) могат да бъдат закупени при дистрибуторите и и оторизирани фирми.
- ◆ Винаги използвайте оригинални консумативи, предназначени точно за Вашия модел уред.

НЕИЗПРАВНОСТИ И ПОПРАВКА

- ◆ - В случай на неизправност отнесете уреда в упълномощен сервис за техническо обслужване. Моля не се опитвайте да разглобявате уреда или пък да го поправяте - това е опасно.

За разновидностите EU на това изделие и/или в случая, приложим за Вашата страна:

Опазване на околната среда и рециклиране на изделието

- ◆ Материалите, от които изработена опаковката на този електроуред са включени в системата за тяхното събиране, класифициране и рециклиране. Ако желаете да се освободите от тях, използвайте обществения контейнери, пригодени за всеки отделен вид материал.
- ◆ В изделието отсъстват концентрации на вещества, които могат да бъдат определени като вредни за околната среда.
- ◆ Припомняме ви, че трябва да се спазва регламентацията за изхвърляне на този вид продукти.



Този символ означава, че ако желаете да се освободите от уреда след изтичане на експлоатационния му живот трябва да го предадете по подходящ начин на фирма за преработка на отпадъци, оторизирана за разделно събиране на относно отпадъци от електрическо и електронно оборудване (ОЕЕО)

Настоящият уред изпълнява Директива 2014/35/EU за ниски напрежения, Директива 2014/30/EU за електромагнитно съответствие и с Директива 2011/65/EU за ограниченията при употреба на някои определени опасни вещества в електрически и електронни апарати и с Директива 2009/125/ЕС за изискванията за екологичен дизайн, приложими към изделия, свързани с енергия.

ГАРАНЦИЯ И ТЕХНИЧЕСКА ПОМОЩ

Настоящият продукт има законна гаранция, в съответствие с действащото законодателство. За да упражните правата си на потребител следва да се насочите към някой от нашите оторизирани сервиси.

Може да намерите най-близкия до вас сервис, отворяйки следната връзка: <http://www.2helpu.com/> Също така може да потърсите допълнителна информация, свързвайки се с нас (направете справка на последната страница на наръчника).

Наръчника с указания и неговите осъвременявания можете да свалите на следния <http://www.2helpu.com/>.

België/Belgique	Stanley Black & Decker Belgium BVBA Egide Walschaertsstraat 16 2800 Mechelen	www.blackanddecker.be enduser.BE@SBDinc.com Tel - NL. +32 15 47 37 65 Tel – FR. +32 15 47 37 66
Bulgaria	Stanley Black&Decker Polska Bucharest Branch Phoenicia Business Center Turturelelor Street, No 11A, 6th Floor,Module 15, 3rd District. Bucharest (Romania)	office.bucharest@sbdinc.com Tel. +4021.320.61.04.
Česká Republika	Stanley Black & Decker Czech Republic s.r.o. Chodov Tůrkova 2319/5b 149 00 Praha 4 Česká Republika	www.blackanddecker.cz recepcie@blackanddecker.cz Tel: 261 009 782
Danmark	Stanley Black & Decker Denmark Roskildevej 22 2620 Albertslund	www.blackanddecker.dk kundeservice.dk@sbdinc.com Tel. 70 20 15 10 Fax. 70 22 49 10
Deutschland	Stanley Black & Decker Deutschland GmbH Black & Decker Str. 40, D - 65510 Idstein	www.blackanddecker.de infobfge@sbdinc.com Tel. 06126 21-0 Fax 06126 21-2980
Ελλάδα	Black & Decker Ελλάς ΕΔΡΑ-ΓΡΑΦΕΙΑ : Στράβωνος 7 & Λ. Βουλιαγμένης. 166 74 Γλυφάδα - Αθήνα SERVICE : Ημερος Τόπος 2 (Χάνι Αδάμ) - 193 00 Ασπρόπυργος	www.blackanddecker.gr Greece.Service@sbdinc.com Τηλ: 00302108981616 Φαξ: 00302108983570
España	Engineering and Technology for Life Spain Avenida Barcelona s/n 25790 Oliana (Lleida)	www.blackanddecker.es service.spain@etforlife.com
France	Engineering and Technology for Life France 6 rue de l'Industrie Z.I des Sablons 89100 Sens	www.blackanddecker.fr service.france@etforlife.com
Helvetia	ROFO AG Gewerbezone Seeblick 3213 Kleinbödingen	www.blackanddecker.ch service@rofoag.ch Tel. 026 674 93 93 Fax 026 674 93 94
Hungary	Stanley Black & Decker Hungary Kft. Meszaros u. 58/B 1016 Budapest (Hungary)	www.blackanddecker.hu Tel: 1.6 225-1661 / 62
Italia	Stanley Black & Decker Italia Via Energypark 6 c/o Energypark Building 3 sud 20871 Vimercate (MB)	www.blackanddecker.it service.italia@blackanddecker.com Tel. 800-213935 Fax 039-9590313
Nederland	Stanley Black & Decker Netherlands BV Holtum Noordweg 35 6121 RE BORN Postbus 83. 6120 AB BORN	www.blackanddecker.nl enduser.NL@SBDinc.com Tel. +31 164 283 065 Fax +31 164 283 200
Norge	Stanley Black & Decker Norway AS Gullhaugveien 11, 0484 Oslo PB 4613, Nydalen, 0405 Oslo	www.blackanddecker.no kundeservice.no@sbdinc.com Tlf. 22 90 99 10 Fax 45 25 08 00

Österreich	Stanley Black & Decker Austria GmbH Oberlaaerstraße 248, A-1230 Wien	www.blackanddecker.at service.austria@sbdinc.com Tel. 01 66116-0 Fax 01 66116-614
Polska	Stanley Black & Decker Polska SP.z.o.o ul. Postepu 21D 02-676 Warszawa Polska	www.blackanddecker.pl reception.warsaw@sbdinc.com Tel: 22 4642700
Portugal	Engineering and Technology for Life Portugal Avenida Rainha D. Amélia, nº12-B 1600-677 Lisboa	www.blackanddecker.pt service.portugal@efforlife.com
Romania	Stanley Black&Decker Polska Bucharest Branch Phoenicia Business Center Turturelelor Street, No 11A, 6th Floor,Module 15, 3rd District. Bucharest (Romania)	office.bucharest@sbdinc.com Tel. +4021.320.61.04.
Slovenija	G-M&M, proizvodnja in marketing, d.o.o. Brvace 11 1290 Grosuplje (Slovenija)	G-M&M, proizvodnja in marketing, d.o.o. Brvace 11 1290 Grosuplje (Slovenija)
Suomi	Stanley Black & Decker Finland Oy Kumpulantie 13B, 00520 Helsinki PL 47, 00521 Helsinki	www.blackanddecker.fi asiakaspalvelu.fi@sbdinc.com Puh. 010 400 43 33 Faksi 0800 411 340
Sverige	Stanley Black & Decker Sweden AB Flöjelbergsgatan 1c, 431 35 Mölndal Box 94, 431 22 Mölndal	www.blackanddecker.se kundservice.se@sbdinc.com Tel. 031-68 60 60 Fax 031-68 60 80
United Kingdom & Republic Of Ireland	"Black & Decker Slough, Berkshire SL1 3YD 210 Bath Road "	www.blackanddecker.co.uk emeaservice@sbdinc.com Tel. 01753 511234

ENGINEERING AND TECHNOLOGY FOR LIFE, S.L.
Avda. Barcelona s/n
Olíana, 25790, Spain